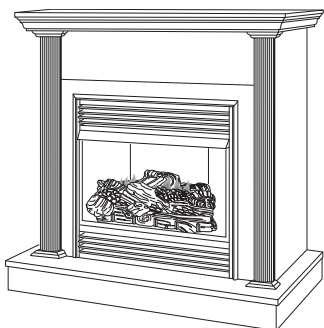


# DESA™

## HEARTH PRODUCTS

### UNVENTED (VENT-FREE) GAS COMPACT CLASSIC HEARTH® DUAL BURNER DUAL FUEL FIREPLACE OWNER'S OPERATION AND INSTALLATION MANUAL



#### THERMOSTAT MODEL CCFPDFT Fireplace/Mantel Assembly CFDFM Shown

**⚠ WARNING:** If the information in this manual is not followed exactly, a fire or explosion may result causing property damage, personal injury or loss of life.

- Do not store or use gasoline or other flammable vapors and liquids in the vicinity of this or any other appliance.
- **WHAT TO DO IF YOU SMELL GAS**
  - Do not try to light any appliance.
  - Do not touch any electrical switch; do not use any phone in your building.
  - Immediately call your gas supplier from a neighbor's phone. Follow the gas supplier's instructions.
  - If you cannot reach your gas supplier, call the fire department.
- Installation and service must be performed by a qualified installer, service agency or the gas supplier.

**INSTALLER:** Leave this manual with the appliance.  
**CONSUMER:** Retain this manual for future reference.

## TABLE OF CONTENTS

Safety .....	2	Inspecting Burners.....	22
Product Identification .....	4	Cleaning and Maintenance.....	23
Local Codes.....	5	Troubleshooting .....	24
Product Features .....	5	Parts .....	28
Qualified Installing Agency .....	5	Replacement Parts .....	32
Unpacking.....	5	Service Hints .....	32
Air for Combustion and Ventilation .....	6	Technical Service.....	32
Installation .....	8	Accessories .....	33
Operation.....	19	Warranty.....	Back Cover
Specifications .....	21		

**Heater is preset at the factory for propane/LP gas. For natural gas, follow the simple conversion instructions on page 13.**

### SAFETY

**⚠ WARNING:** Improper installation, adjustment, alteration, service or maintenance can cause injury or property damage. Refer to this manual for correct installation and operational procedures. For assistance or additional information consult a qualified installer, service agency or the gas supplier.

This appliance may be installed in an aftermarket,\* permanently located, manufactured (mobile) home, where not prohibited by local codes.

This appliance is only for use with the type of gas indicated on the rating plate. This appliance is not convertible for use with other gases.

\* Aftermarket: Completion of sale, not for purpose of resale, from the manufacturer

**⚠ WARNING:** This is an unvented gas-fired heater. It uses air (oxygen) from the room in which it is installed. Provisions for adequate combustion and ventilation air must be provided. Refer to *Air for Combustion and Ventilation* section on page 6 of this manual.

**⚠ WARNING:** This product contains and/or generates chemicals known to the State of California to cause cancer or birth defects or other reproductive harm.

**IMPORTANT:** Read this owner's manual carefully and completely before trying to assemble, operate or service this fireplace. Improper use of this fireplace can cause serious injury or death from burns, fire, explosion, electrical shock and carbon monoxide poisoning.

## SAFETY

*Continued*

**⚠ DANGER: Carbon monoxide poisoning may lead to death!**

**Carbon Monoxide Poisoning:** Early signs of carbon monoxide poisoning resemble the flu, with headaches, dizziness or nausea. If you have these signs, the fireplace may not be working properly. **Get fresh air at once!** Have fireplace serviced. Some people are more affected by carbon monoxide than others. These include pregnant women, people with heart or lung disease or anemia, those under the influence of alcohol and those at high altitudes.

**Natural and Propane/LP Gas:** Natural and propane/LP gases are odorless. An odor-making agent is added to the gas. The odor helps you detect a gas leak. However, the odor added to the gas can fade. Gas may be present even though no odor exists.

Make certain you read and understand all warnings. Keep this manual for reference. It is your guide to safe and proper operation of this fireplace.

**⚠ WARNING: Any change to this fireplace or its controls can be dangerous.**

**⚠ WARNING: Do not use a blower insert, heat exchanger insert or other accessory not approved for use with this fireplace.**

**⚠ WARNING: Do not allow fans to blow directly into the fireplace. Avoid any drafts that alter burner flame patterns. Ceiling fans can create drafts that alter burner flame patterns. Altered burner patterns can cause sooting.**

**Due to high temperatures, the appliance should be located out of traffic and away from furniture and draperies.**

**Do not place clothing or other flammable material on or near the appliance. Never place any objects on the heater.**

**Fireplace front and screen become very hot when running heater. Keep children and adults away from hot surfaces to avoid burns or clothing ignition. Fireplace will remain hot for a time after shutdown. Allow surfaces to cool before touching.**

**Carefully supervise young children when they are in the room with fireplace.**

**You must operate this fireplace with the fireplace screen in place. Make sure fireplace screen is closed before running fireplace.**

**Keep the appliance area clear and free from combustible materials, gasoline and other flammable vapors and liquids.**

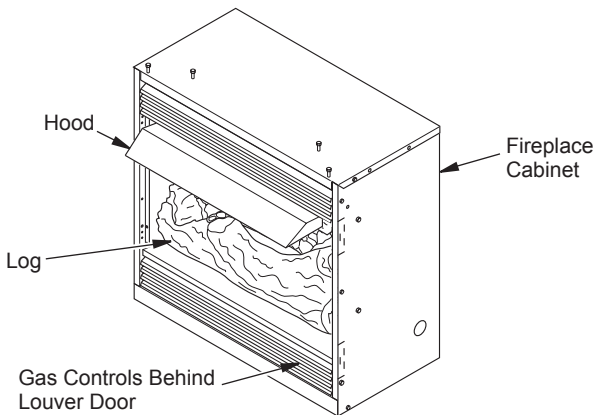
1. This appliance is only for use with the type of gas indicated on the rating plate. This appliance is not field convertible for use with other gases.
2. Do not place propane/LP supply tank(s) inside any structure. Locate propane/LP supply tank(s) outdoors.
3. If you smell gas
  - shut off gas supply
  - do not try to light any appliance
  - do not touch any electrical switch; do not use any phone in your building
  - immediately call your gas supplier from a neighbor's phone. Follow the gas supplier's instructions
  - if you cannot reach your gas supplier, call the fire department
4. This fireplace shall not be installed in a bedroom or bathroom.

# SAFETY

## Continued

5. Do not use this fireplace as a wood-burning fireplace. Use only the logs provided with the fireplace.
6. Do not add extra logs or ornaments such as pine cones, vermiculite or rock wool. Using these added items can cause sooting. Do not add lava rock around base. Rock and debris could fall into the control area of fireplace.
7. This fireplace is designed to be smokeless. If logs ever appear to smoke, turn off fireplace and call a qualified service person. *Note: During initial operation, slight smoking could occur due to log curing and fireplace burning manufacturing residues.*
8. To prevent the creation of soot, follow the instructions in Cleaning and Maintenance, page 23.
9. Before using furniture polish, wax, carpet cleaner or similar products, turn fireplace off. If heated, the vapors from these products may create a white powder residue within burner box or on adjacent walls or furniture.
10. This fireplace needs fresh air ventilation to run properly. This fireplace has an Oxygen Depletion Sensing (ODS) safety shutoff system. The ODS shuts down the fireplace if not enough fresh air is available. See Air for Combustion and Ventilation, page 6. If fireplace keeps shutting off, see Troubleshooting, page 24.
11. Do not run fireplace
  - where flammable liquids or vapors are used or stored.
  - under dusty conditions.
12. Do not use this fireplace to cook food or burn paper or other objects.
13. Never place any objects in the fireplace or on logs.
14. Do not use fireplace if any part has been under water. Immediately call a qualified service technician to inspect the room fireplace and to replace any part of the control system and any gas control which has been under water.
15. Turn off and unplug fireplace and let cool before servicing. Only a qualified service person should service and repair fireplace.
16. Operating fireplace above elevations of 4,500 feet could cause pilot outage.
17. Do not operate fireplace if log is broken. Do not operate fireplace if log is chipped (dime-sized or larger).
18. To prevent performance problems, do not use propane/LP fuel tank of less than 100 lb. capacity.
19. Provide adequate clearances around air openings.

## PRODUCT IDENTIFICATION



**Figure 1 - Vent-Free Compact Dual Flame Fireplace**

## LOCAL CODES

Install and use fireplace with care. Follow all local codes. In the absence of local codes, use the latest edition of *The National Fuel Gas Code ANSI Z223.1/NFPA 54\**.

\*Available from:

American National Standards Institute, Inc.  
1430 Broadway  
New York, NY 10018

National Fire Protection Association, Inc.  
Batterymarch Park  
Quincy, MA 02269

**State of Massachusetts:** The installation must be made by a licensed plumber or gas fitter in the Commonwealth of Massachusetts.

Sellers of unvented propane or natural gas-fired supplemental room heaters shall provide to each purchaser a copy of 527 CMR 30 upon sale of the unit.

Vent-free gas products are prohibited for bedroom and bathroom installation in the Commonwealth of Massachusetts.

## PRODUCT FEATURES

### SAFETY PILOT

This fireplace has a pilot with an Oxygen Depletion Sensing (ODS) safety shutoff system. The ODS/pilot is a required feature for vent-free room fireplaces. The ODS/pilot shuts off the fireplace if there is not enough fresh air.

### PIEZO IGNITION SYSTEM

This fireplace has a piezo ignitor. This system requires no matches, batteries or other sources to light fireplace.

### THERMOSTATIC HEAT CONTROL

Thermostat-Controlled models have a thermostat sensing bulb and a control valve. The thermostat will automatically modulate the heat output to maintain a consistent room temperature. This results in greater fireplace comfort. This can also result in lower gas bills.

### DUAL GAS TYPE

Simple conversion from propane/LP to natural gas by a qualified installing agency.

## QUALIFIED INSTALLING AGENCY

Installation and replacement of gas piping, gas utilization equipment or accessories and repair and servicing of equipment shall be performed only by a qualified agency. The term "qualified agency" means any individual, firm, corporation, or company that either in person or through a representative is engaged in and is responsible for:

- a) Installation, testing or replacements of gas piping or
- b) Connection, installation, testing, repair or servicing of equipment that is experienced in such work; that is familiar with all precautions required; and that has complied with all requirement of the authority having jurisdiction

## UNPACKING

1. Remove fireplace and hood from carton. Log is wrapped and inside fireplace. Do not remove at this time.
2. Remove all protective packaging applied to fireplace for shipment.
3. Make sure your fireplace includes one hardware packet.
4. Check fireplace for any shipping damage. If fireplace is damaged, call DESA Heating, LLC at 1-866-672-6040 for replacement parts before returning to dealer.

# AIR FOR COMBUSTION AND VENTILATION

**⚠ WARNING:** This heater shall not be installed in a room or space unless the required volume of indoor combustion air is provided by the method described in the *National Fuel Gas Code, ANSI Z223.1/NFPA 54*, the *International Fuel Gas Code*, or applicable local codes. Read the following instructions to insure proper fresh air for this and other fuel-burning appliances in your home.

Today's homes are built more energy efficient than ever. New materials, increased insulation and new construction methods help reduce heat loss in homes. Home owners weather strip and caulk around windows and doors to keep the cold air out and the warm air in. During heating months, home owners want their homes as airtight as possible.

While it is good to make your home energy efficient, your home needs to breathe. Fresh air must enter your home. All fuel-burning appliances need fresh air for proper combustion and ventilation.

Exhaust fans, fireplaces, clothes dryers and fuel burning appliances draw air from the house to operate. You must provide adequate fresh air for these appliances. This will insure proper venting of vented fuel-burning appliances.

## PROVIDING ADEQUATE VENTILATION

The following are excerpts from *National Fuel Gas Code, ANSI Z223.1/NFPA 54, Air for Combustion and Ventilation*.

All spaces in homes fall into one of the three following ventilation classifications:

1. Unusually Tight Construction
2. Unconfined Space
3. Confined Space

The information on pages 6 through 8 will help you classify your space and provide adequate ventilation.

### Unusually Tight Construction

The air that leaks around doors and windows may provide enough fresh air for combustion and ventilation. However, in buildings of unusually tight construction, you must provide additional fresh air.

Unusually tight construction is defined as construction where:

- a. walls and ceilings exposed to the outside atmosphere have a continuous water vapor retarder with a rating of one perm ( $6 \times 10^{-11}$  kg per pa-sec- $m^2$ ) or less with openings gasketed or sealed and
- b. weather stripping has been added on openable windows and doors and
- c. caulking or sealants are applied to areas such as joints around window and door frames, between sole plates and floors, between wall-ceiling joints, between wall panels, at penetrations for plumbing, electrical and gas lines and at other openings.

If your home meets all of these three criteria, you must provide additional fresh air. See [Ventilation Air From Outdoors](#), page 8.

If your home does not meet all of the three criteria above, proceed to [Determining Fresh-Air Flow For Fireplace Location](#).

### Confined and Unconfined Space

The *National Fuel Gas Code, ANSI Z223.1/NFPA 54* defines a confined space as a space whose volume is less than 50 cubic feet per 1,000 Btu/hr (4.8  $m^3$  per kw) of the aggregate input rating of all appliances installed in that space and an unconfined space as a space whose volume is not less than 50 cubic feet per 1,000 Btu/hr (4.8  $m^3$  per kw) of the aggregate input rating of all appliances installed in that space. Rooms communicating directly with the space in which the appliances are installed\*, through openings not furnished with doors, are considered a part of the unconfined space.

\* Adjoining rooms are communicating only if there are doorless passageways or ventilation grills between them.

## DETERMINING FRESH-AIR FLOW FOR FIREPLACE LOCATION

### Determining if You Have a Confined or Unconfined Space

Use this work sheet to determine if you have a confined or unconfined space.

**Space:** Includes the room in which you will install fireplace plus any adjoining rooms with doorless passageways or ventilation grills between the rooms.

1. Determine the volume of the space (length x width x height).  
Length x Width x Height = \_\_\_\_\_ cu. ft.  
(volume of space)

# AIR FOR COMBUSTION AND VENTILATION

Continued

*Example:* Space size 16 ft. (length) x 14 ft. (width) x 8 ft. (ceiling height) = 1792 cu. ft. (volume of space)

If additional ventilation to adjoining room is supplied with grills or openings, add the volume of these rooms to the total volume of the space.

- Multiply the space volume by 20 to determine the maximum Btu/Hr the space can support.

\_\_\_\_\_ (volume of space) x 20 = (Maximum Btu/Hr the space can support)

*Example:* 1792 cu. ft. (volume of space) x 20 = 35,840 (maximum Btu/Hr the space can support)

- Add the Btu/Hr of all fuel burning appliances in the space.

Vent-free fireplace	_____ Btu/Hr
Gas water heater*	_____ Btu/Hr
Gas furnace	_____ Btu/Hr
Vented gas heater	_____ Btu/Hr
Gas fireplace logs	_____ Btu/Hr
Other gas appliances* +	_____ Btu/Hr
Total	= _____ Btu/Hr

\* Do not include direct-vent gas appliances. Direct-vent draws combustion air from the outdoors and vents to the outdoors.

*Example:*

Gas water heater	_____ Btu/Hr	30,000
Vent-free fireplace	+ _____ Btu/Hr	26,000
Total	= _____ Btu/Hr	56,000

- Compare the maximum Btu/Hr the space can support with the actual amount of Btu/Hr used.

\_\_\_\_\_ Btu/Hr (maximum space can support)  
 \_\_\_\_\_ Btu/Hr (actual amount used)

*Example:* 35,840 Btu/Hr (maximum the space can support)

56,000 Btu/Hr (actual amount of Btu/Hr used)

The space in the previous example is a confined space because the actual Btu/Hr used is more than the maximum Btu/Hr the space can support. You must provide additional fresh air. Your options are as follows:

- Rework worksheet, adding the space of an adjoining room. If the extra space provides an unconfined space, remove door to adjoining room or add ventilation grills between rooms. See Ventilation Air From Inside Building.
- Vent room directly to the outdoors. See Ventilation Air From Outdoors, page 8.
- Install a lower Btu/Hr fireplace, if lower Btu/Hr size makes room unconfined.

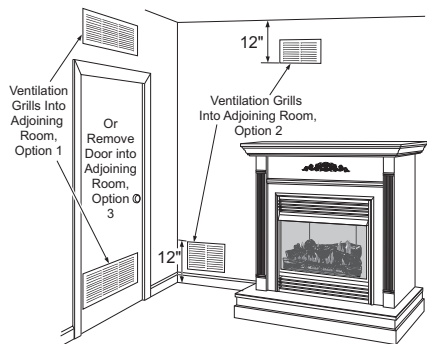
If the actual Btu/Hr used is less than the maximum Btu/Hr the space can support, the space is an unconfined space. You will need no additional fresh air ventilation.

**⚠ WARNING:** If the area in which the heater may be operated does not meet the required volume for indoor combustion air, combustion and ventilation air shall be provided by one of the methods described in the *National Fuel Gas Code, ANSI Z223.1/NFPA 54, the International Fuel Gas Code, or applicable local codes.*

## VENTILATION AIR

### Ventilation Air From Inside Building

This fresh air would come from an adjoining unconfined space. When ventilating to an adjoining unconfined space, you must provide two permanent openings: one within 12" of the ceiling and one within 12" of the floor on the wall connecting the two spaces (see options 1 and 2, Figure 2). You can also remove door into adjoining room (see option 3, Figure 2). Follow the *National Fuel Gas Code, ANSI Z223.1/NFPA 54, Air for Combustion and Ventilation* for required size of ventilation grills or ducts.



**Figure 2 - Ventilation Air from Inside Building**

# AIR FOR COMBUSTION AND VENTILATION

Continued

## Ventilation Air From Outdoors

Provide extra fresh air by using ventilation grills or ducts. You must provide two permanent openings: one within 12" of the ceiling and one within 12" of the floor. Connect these items directly to the outdoors or spaces open to the outdoors. These spaces include attics and crawl spaces. Follow the *National Fuel Gas Code, ANSI Z223.1/NFPA 54, Air for Combustion and Ventilation* for required size of ventilation grills or ducts.

**IMPORTANT:** Do not provide openings for inlet or outlet air into attic if attic has a thermostat-controlled power vent. Heated air entering the attic will activate the power vent.

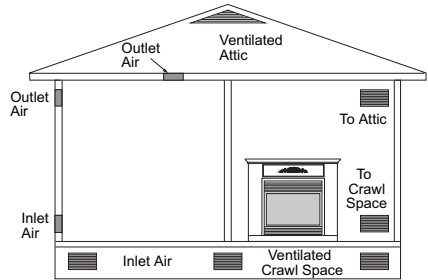


Figure 3 - Ventilation Air from Outdoors

## INSTALLATION

**NOTICE:** This heater is intended for use as supplemental heat. Use this heater along with your primary heating system. Do not install this heater as your primary heat source. If you have a central heating system, you may run system's circulating blower while using heater. This will help circulate the heat throughout the house. In the event of a power outage, you can use this heater as your primary heat source.

**WARNING:** A qualified service person must install fireplace. Follow all local codes.

**WARNING:** Never install the fireplace

- in a bedroom or bathroom
- in a recreational vehicle
- where curtains, furniture, clothing or other flammable objects are less than 36" from the front, top or sides of the fireplace
- as a fireplace insert
- in high traffic areas
- in windy or drafty areas

**WARNING:** Never install in a bedroom or bathroom. Any heating product with a Btu/Hr rating over 10,000 cannot be used in a bedroom.

**CAUTION:** This fireplace creates warm air currents. These currents move heat to wall surfaces next to fireplace. Installing fireplace next to vinyl or cloth wall coverings or operating fireplace where impurities (such as, but not limited to, tobacco smoke, aromatic candles, cleaning fluids, oil or kerosene lamps, etc.) in the air exist, may discolor walls or cause odors.

**IMPORTANT:** Vent-free fireplaces add moisture to the air. Although this is beneficial, installing fireplace in rooms without enough ventilation air may cause mildew to form from too much moisture. See *Air for Combustion and Ventilation*, page 6.

**Note:** Your fireplace is designed to be used in zero clearance installations. Wall or framing material can be placed directly against any exterior surface on the rear, sides or top of your fireplace, except where standoff spacers are integrally attached. If standoff spacers are attached to your fireplace, these spacers can be placed directly against wall or framing materials.



# INSTALLATION

Continued

*Note: When installing fireplace directly on carpeting, tile or other combustible material, other than wood flooring, the fireplace shall be installed on a metal or wood panel extending the full width and depth of the fireplace.*

Use the dimensions shown for rough openings to create the easiest installation (see [Built-In Fireplace Installation](#), page 11).

## CHECK GAS TYPE

Use only the correct gas type (natural or propane/LP) for your unit. If you do not know your gas type, do not install heater. The heater leaves the factory set for propane/LP gas. If natural gas is desired, a qualified installer can perform the simple conversion to natural gas by following the instructions on page 13.

**⚠ WARNING: This appliance is equipped for natural and propane/LP. Gas type is indicated on the rating plate. Field conversion is not permitted other than between natural or propane gases.**

## INSTALLATION ITEMS

Before installing fireplace, make sure you have the items listed below.

- external regulator (supplied by installer, for propane/LP units only)
- piping (check local codes)
- sealant (resistant to propane/LP gas)
- equipment shutoff valve \*
- test gauge connection\*
- ground joint union
- sediment trap
- tee joint
- pipe wrench

\* A CSA design-certified equipment shutoff valve with 1/8" NPT tap is an acceptable alternative to test gauge connection. Purchase the optional CSA design-certified equipment shutoff valve from your dealer.

*Note: If desired, purchase a four-sided perimeter trim kit for built-in installations. See [Accessories](#), page 33.*

## HOOD ASSEMBLY

**⚠ WARNING: Always have hood in place before operating fireplace. This prevents excessive temperatures on fireplace surfaces.**

**⚠ WARNING: Failure to position the parts in accordance with these diagrams or failure to use only parts specifically approved with this fireplace may result in property damage or personal injury.**

Tools Required:

- Phillips screwdriver
- slotted screwdriver
- 5/16" hex wrench
- scissors

1. Remove log from firebox. Set log aside.
2. An optional blower is available. See [Accessories](#), page 33. Install optional blower now. Follow installation instructions provided with blower.
3. Locate 4 black Phillips sheet metal screws in hardware packet.
4. Slide hood between louver and firebox top and align screw holes.
5. Insert screws as shown in Figure 4. Tighten screws firmly.

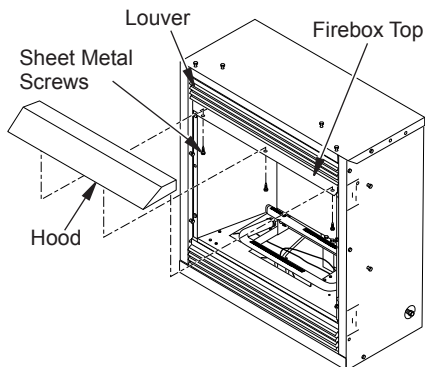


Figure 4 - Assembling Hood

# INSTALLATION

Continued

## FIREPLACE CLEARANCES

**⚠ WARNING:** Maintain the minimum clearances shown in Figure 5. If you can, provide greater clearances from floor, ceiling and joining wall.

If your fireplace is to be used with an optional mantel, the installation instructions included with your mantel shows an CSA approved method of attaching the fireplace/mantel system to a wall. **IMPORTANT:** Only use optional cabinet or corner mantels specified in this manual. Purchase the optional mantel from your dealer (see [Accessories](#), page 33).

If your fireplace is to be recessed into the wall, see [Built-In Fireplace Installation](#) on page 11 to secure your fireplace into the wall.

**⚠ CAUTION:** If you install the fireplace in a home garage

- fireplace pilot and burner must be at least 18" above floor.
- locate fireplace where moving vehicle will not hit it.

For convenience and efficiency, install fireplace

- where there is easy access for operation, inspection and service
- in coldest part of room

An optional blower kit is available from your dealer. See [Accessories](#), page 33. If planning to use blower, follow instructions provided with blower for power source.

### Minimum Clearances For Side Combustible Material, Side Wall and Ceiling

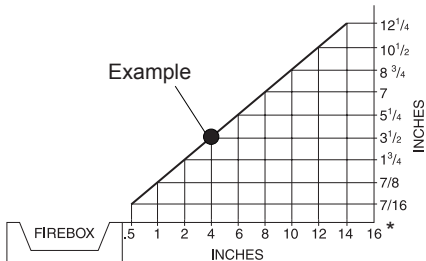
A. Clearances from the side of the fireplace cabinet to any combustible material and wall should follow diagram in Figure 5.

*Example:* The face of a mantel, bookshelf, etc. is made of combustible material and protrudes 3 1/2" from the wall. This combustible material must be 4" from the side of the fireplace opening (see Figure 5).

B. Clearances from the top of the fireplace opening to the ceiling should not be less than 36".

C. For mantel clearances, see Figure 9 on page 12.

**MINIMUM CLEARANCE TO COMBUSTIBLE MATERIALS**  
 Top 36", Left and Right Sides 6",  
 Bottom and Rear 0", Front 36"



\*Minimum 16" from Side Wall

**Figure 5 - Minimum Clearance for Combustible to Wall**

## BUILT-IN FIREPLACE INSTALLATION

Built-in installation of this fireplace involves installing fireplace into a framed-in enclosure. This makes the front of fireplace flush with wall. An optional trim kit accessory is available (see [Accessories](#), page 33). Trim will extend past sides of fireplace approximately 1/2". This will cover the rough edges of the wall opening. If installing a built-in mantel above the fireplace, you must follow the clearances shown in Figure 9, page 12. Follow the instructions below to install the fireplace in this manner.

	Actual	Framing
Height	26"	26 7/8"
Front Width	26 3/4"	26 7/8"
Depth	14 1/4"	15 1/4"

1. Frame in rough opening. Use dimensions shown in Figure 6, page 11, for the rough opening. If installing in a corner, use dimensions shown in Figure 7, page 11, for the rough opening. The height is 26 7/8" which is the same as the wall opening above.
2. If installing GA3450TA blower accessory, do so at this time. Follow instructions included with blower accessory.

# INSTALLATION

## Continued

*Note: If not installing blower accessory, you may wish to run electrical wiring to your fireplace for future blower installation (see [Accessories](#), page 33). Use only approved three-wire electrical wiring.*

**⚠ WARNING: If pre-wiring, do not connect wiring to any electrical source at this time.**

**Install fireplace electrical outlet and connect wiring to outlet before connecting to electrical source. The fireplace electrical outlet is included with the GA3450TA blower accessory.**

**Only use the fireplace electrical outlet supplied with the GA3450TA blower accessory.**

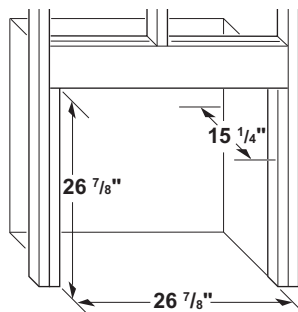
*Note: A qualified installer should make all electrical connections.*

3. Install gas piping to fireplace location. This installation includes an approved flexible gas line (if allowed by local codes) after the equipment shutoff valve. The flexible gas line must be the last item installed on the gas piping.
4. If you have not installed hood, follow instructions on page 9.
5. Carefully set fireplace in front of rough opening with back of fireplace inside wall opening.
6. Attach flexible gas line to fireplace gas regulator. See [Connecting Equipment Shutoff Valve to Heater Control](#), page 16.
7. Bend four nailing flanges on outer casing with pliers (see Figure 8).
8. Attach fireplace to wall studs using nails or wood screws through holes in nailing flange.
9. Check all gas connections for leaks. See [Checking Gas Connections](#), page 17.
10. If using optional trim kit, install the trim after final finishing and/or painting of wall. See instructions included with trim accessory for attaching trim.

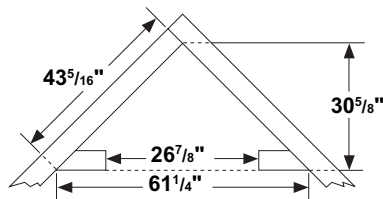
**IMPORTANT:** When finishing your firebox, combustible materials such as wall board,

gypsum board, sheet rock, drywall, plywood, etc. may be butted up next to the sides and top edge of the firebox. Combustible materials should never overlap the firebox front facing.

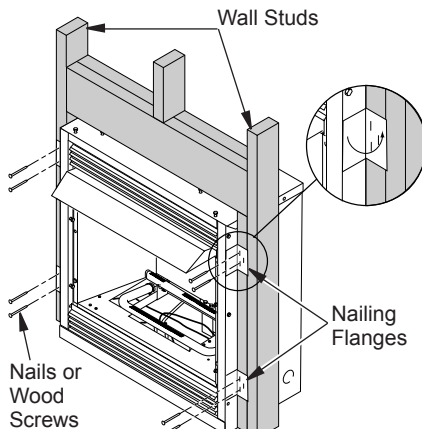
**⚠ WARNING: Do not allow any combustible/noncombustible materials to overlap the firebox front facing.**



**Figure 6 - Rough Opening for Installing in Wall**



**Figure 7 - Rough Opening for Installing in Corner**



**Figure 8 - Attaching Fireplace to Wall Studs**

# INSTALLATION

*Continued*

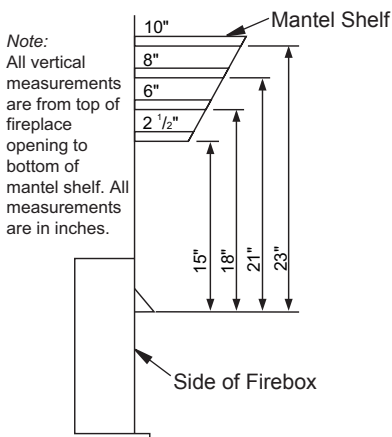
**⚠ WARNING:** Do not allow combustible or noncombustible materials to cover any necessary openings like louvered slots.

**⚠ WARNING:** Never modify or cover the louvered slots on the front of the firebox.

## Mantel Clearances for Built-In Installation

If placing mantel above built-in fireplace, you must meet minimum clearance between mantel shelf and top of fireplace opening.

**NOTICE:** Surface temperatures of adjacent walls and mantels become hot during operation. Walls and mantels above the firebox may become hot to the touch. If installed properly, these temperatures meet the requirement of the national product standard. Follow all minimum clearances shown in this manual.



**Figure 9 - Minimum Mantel Clearances for Built-In Installation**

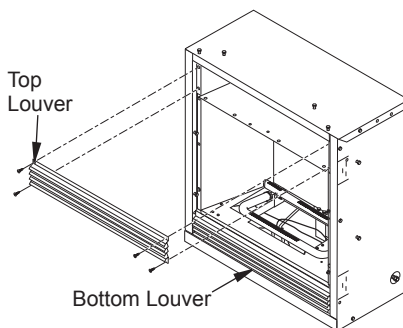
**NOTICE:** If your installation does not meet the minimum clearances shown, you must do one of the following:

- raise the mantel to an acceptable height
- remove the mantel

## REMOVING UPPER LOUVER

To install mantel or blower accessory, you must first remove the upper louver.

1. Lift screen off fireplace and remove log set if installed.
2. Remove 4 screws from upper louver (see Figure 10). Save screws.
3. Pull upper louver straight out from the cabinet. Be careful not to scratch the paint. Set louver aside.
4. Open lower louver door by swinging door down (see Figure 10).



**Figure 10 - Removing Top Louver and Opening Bottom Louver**

# INSTALLATION

*Continued*

## GAS SELECTION

**CAUTION:** Two gas line installations at the same time are forbidden. Do not open or access the selector valve while heater is operating.

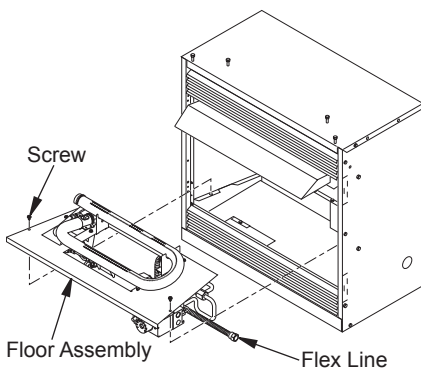
Heater is preset at the factory for propane/LP gas. No changes are required for connecting fireplace to a propane/LP gas supply. Only a qualified installer or service technician can perform gas selection and connecting to gas supply.

### For Propane/LP Gas

1. Mark on rating label propane/LP gas.
2. No other actions needed.

### Changing from Propane/LP Gas to Operation on Natural Gas

1. Carefully remove logs from firebox.
2. Remove 2 screws securing floor assembly to firebox (see Figure 11). Carefully remove floor assembly from inside firebox.
3. Carefully turn floor assembly over so components underneath floor are accessible from the rear. Remove flex line and brass fitting from propane/LP regulator (see Figure 12).



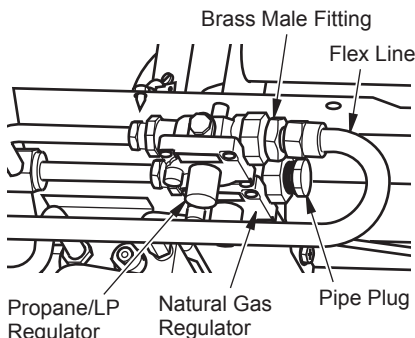
**Figure 11 - Removing Floor Assembly**

4. Remove pipe plug from natural gas regulator (see Figure 12).
5. Apply pipe sealant to 3/8" NPT pipe plug and install in propane/LP regulator.
6. Apply pipe sealant to brass fitting threads.
7. Install flex line and brass fitting into natural gas regulator.
8. Remove set screw from selector valve linkage (see Figure 13, page 14).
9. Slightly press selector plate and rotate linkage clockwise until it stops.
10. Reinstall set screw.
11. Mark on rating label natural gas.

*Note: Slot in linkage will indicate the type of gas selected.*

*Blue color code on natural gas regulator and blue color code on linkage decal will indicate correct setting for natural gas.*

12. Place floor assembly inside firebox. Connect to gas supply and check for leaks (see page 17). Replace screws securing floor assembly to firebox.
13. Replace logs into firebox.



**Figure 12 - Changing Gas Type**

# INSTALLATION

*Continued*

## Changing from Natural Gas to Operation on Propane/LP Gas (for Previously Installed Log Sets)

- Carefully remove logs from firebox.
- Remove 3 screws securing floor assembly to firebox (see Figure 11, page 13). Carefully remove floor assembly from inside firebox.
- Carefully turn floor assembly over so components underneath floor are accessible from the rear. Remove flex line and brass fitting from natural gas regulator (see Figure 12, page 13).
- Remove pipe plug from propane/LP gas regulator (see Figure 12, page 13).
- Apply pipe sealant to 3/8" NPT pipe plug and install in natural gas regulator.
- Apply pipe sealant to brass fitting threads.

- Install flex line and brass fitting into propane/LP gas regulator.
- Remove set screw from selector valve linkage (see Figure 13).
- Slightly press selector plate and rotate linkage counterclockwise until it stops.
- Reinstall set screw.
- Mark on rating label propane/LP gas.

*Note: Slot in linkage will indicate the type of gas selected.*

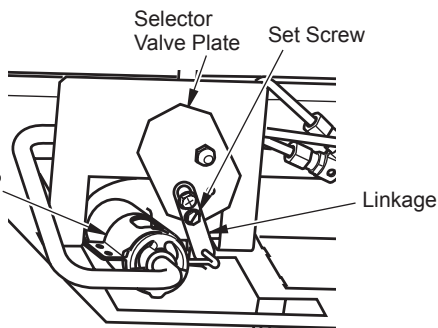
*Red color code on propane/LP gas regulator and red color code on linkage decal will indicate correct setting for propane/LP gas.*

- Place floor assembly inside firebox. Connect to gas supply and check for leaks (see Connecting to Gas Supply, page 16). Replace screws securing floor assembly to firebox.
- Replace logs into firebox.

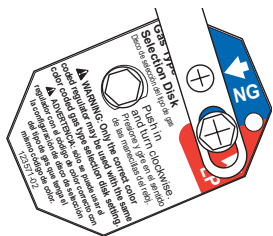
### Propane/LP Gas Setting



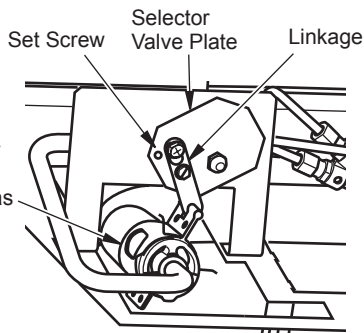
Air Shutter in Open, Propane/LP Position



### Natural Gas Setting



Air Shutter in Closed, Natural Gas Position



**Figure 13 - Gas Selector Valve Plate**

# INSTALLATION

Continued

Log set is equipped with a system to turn off log set if not converted correctly. If the temperature switch requires resetting, press button (see Figure 14). Do not reset until unit has been checked by a qualified service installer.

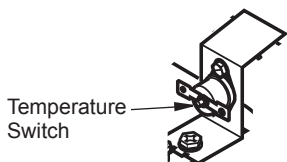


Figure 14 - Temperature Switch Reset Button

## CONNECTING TO GAS SUPPLY

**WARNING:** This appliance requires a 45° male flare fitting 5/8"-18 UNF (Unified National Fine Thread) inlet connection and the flexible gas line provided.

**WARNING:** A qualified service person must connect fireplace to gas supply. Follow all local codes.

**WARNING:** Never connect natural gas fireplace to private (non-utility) gas wells. This gas is commonly known as wellhead gas.

**IMPORTANT:** For natural gas, check gas line pressure before connecting fireplace to gas line. Gas line pressure must be no greater than 14" of water. If gas line pressure is higher, heater regulator damage could occur.

**CAUTION:** Never connect propane/LP fireplace directly to the propane/LP supply. This fireplace requires an external regulator (not supplied). Install the external regulator between the fireplace and propane/LP supply.

For propane/LP units, the installer must supply an external regulator. The external regulator will reduce incoming gas pressure. You must reduce incoming gas pressure to between 11" and 14" of water. If you do not reduce incoming gas pressure, fireplace regulator damage could occur. Install external regulator with the vent pointing down as shown in Figure 15. Pointing the vent down protects it from freezing rain or sleet.

**CAUTION:** Use only new, black iron or steel pipe. Internally-tinned copper tubing may be used in certain areas. Check your local codes. Use pipe of 1/2" or greater diameter to allow proper gas volume to fireplace. If pipe is too small, undue loss of volume will occur.

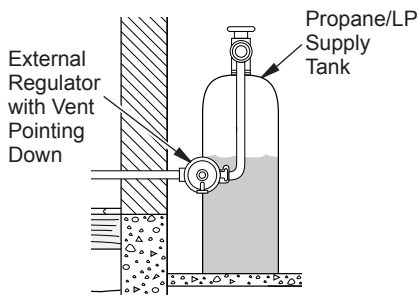


Figure 15 - External Regulator With Vent Pointing Down

# INSTALLATION

## Continued

Installation must include an equipment shutoff valve, union and plugged 1/8" NPT tap. Locate NPT tap within reach for test gauge hook up. NPT tap must be upstream from heater (see Figure 16).

**IMPORTANT:** Install equipment shutoff valve in an accessible location. The equipment shutoff valve is for turning on or shutting off the gas to the appliance.

Check your building codes for any special requirements for locating equipment shutoff valve to fireplaces.

Apply pipe joint sealant lightly to male NPT threads. This will prevent excess sealant from going into pipe. Excess sealant in pipe could result in clogged fireplace valves.

**⚠ WARNING: Use pipe joint sealant that is resistant to liquid petroleum (LP) gas.**

We recommend that you install a sediment trap in supply line as shown in Figure 16. Locate sediment trap where it is within reach for cleaning. Install in piping system between fuel supply and heater. Locate sediment trap where trapped matter is not likely to freeze. A sediment trap traps moisture and contaminants. This keeps them from going into fireplace controls. If sediment trap is not installed or is installed wrong, fireplace may not run properly.

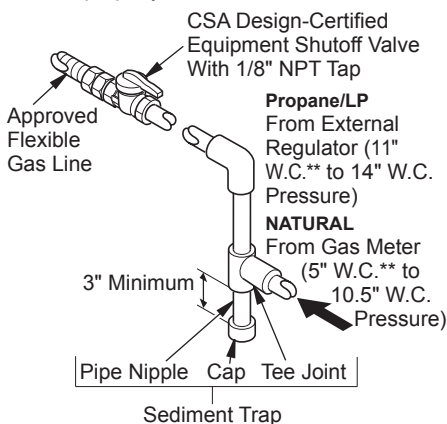


Figure 16 - Gas Connection

## CONNECTING EQUIPMENT SHUTOFF VALVE TO HEATER CONTROL

### Installation Items Needed

- Phillips screwdriver
- sealant (resistant to propane/LP gas, not provided)

1. Open lower louver (see Figure 17).

**NOTICE: Most building codes do not permit concealed gas connections. A flexible gas line is provided to allow accessibility from the fireplace (see Figure 17). The flexible gas supply line connection to the equipment shutoff valve should be accessible.**

2. Route flexible gas line, included, from fireplace control to equipment shutoff valve through side access holes in outer casing.
3. Apply pipe joint sealant lightly to male threads of gas connector attached to flexible gas line/equipment shutoff valve (see Figure 18, page 17).

**⚠ CAUTION: Avoid damage to regulator. Hold gas regulator with wrench when connecting it to gas piping and/or fittings.**

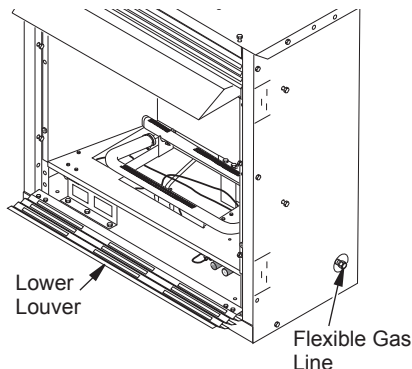


Figure 17 - Flexible Gas Line Location



# INSTALLATION

Continued

4. Check all gas connections for leaks. See Checking Gas Connections, below. Feed flexible gas line into fireplace. Make sure the entire flexible gas line is in fireplace.

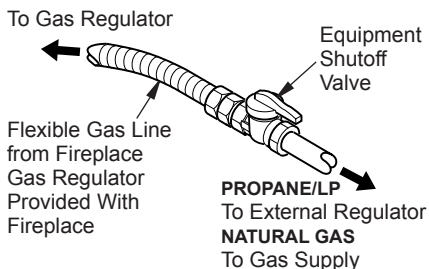


Figure 18 - Attaching Flexible Gas Line to Equipment Shutoff Valve

## CHECKING GAS CONNECTIONS

**WARNING:** Test all gas piping and connections, internal and external to unit, for leaks after installing or servicing. Correct all leaks at once.

**WARNING:** Never use an open flame to check for a leak. Apply a noncorrosive leak detection fluid to all joints. Bubbles forming show a leak. Correct all leaks at once.

**CAUTION:** Make sure external regulator has been installed between propane/LP supply and fireplace. See guidelines under Connecting to Gas Supply, page 15.

## PRESSURE TESTING GAS SUPPLY PIPING SYSTEM

### Test Pressures In Excess Of 1/2 PSIG (3.5 kPa)

1. Disconnect appliance with its appliance main gas valve (control valve) and equipment shutoff valve from gas supply piping system. Pressures in excess of 1/2 psig will damage heater regulator.
2. Cap off open end of gas pipe where equipment shutoff valve was connected.
3. Pressurize supply piping system by either opening propane/LP supply tank valve for propane/LP gas or opening main gas valve located on or near gas meter for natural gas or using compressed air.
4. Check all joints of gas supply piping system. Apply noncorrosive leak detection fluid to all joints. Bubbles forming show a leak.
5. Correct all leaks at once.
6. Reconnect fireplace and equipment shutoff valve to gas supply. Check reconnected fittings for leaks.

### Test Pressures Equal To or Less Than 1/2 PSIG (3.5 kPa)

1. Close equipment shutoff valve (see Figure 19).
2. Pressurize supply piping system by either opening propane/LP supply tank valve for propane/LP gas or opening main gas valve located on or near gas meter for natural gas or using compressed air.
3. Check all joints from gas meter to equipment shutoff valve for natural gas or propane/LP supply to equipment shutoff valve for propane/LP (see Figure 20 or 21, page 18). Apply noncorrosive leak detection fluid to all joints. Bubbles forming show a leak.
4. Correct all leaks at once.

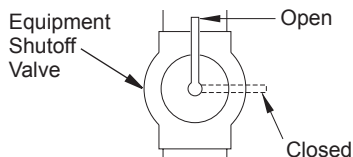


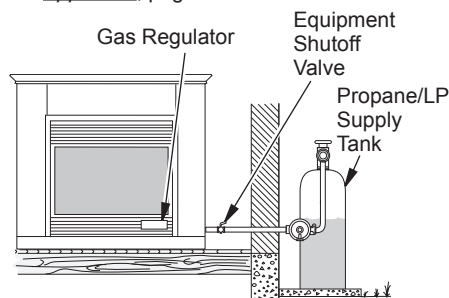
Figure 19 - Equipment Shutoff Valve

# INSTALLATION

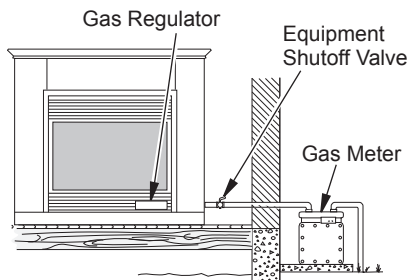
*Continued*

## PRESSURE TESTING FIREPLACE GAS CONNECTIONS

1. Open equipment shutoff valve (see Figure 19, page 17).
2. Open main gas valve located on or near gas meter for natural gas or open propane/LP supply tank valve.
3. Make sure control knob of fireplace is in the OFF position.
4. Check all joints from equipment shutoff valve to gas regulator (see Figure 20 or 21). Apply noncorrosive leak detection fluid to all joints. Bubbles forming show a leak.
5. Correct all leaks at once.
6. Light fireplace (see *Operation*, page 19). Check all other internal joints for leaks.
7. Turn off fireplace (see *To Turn Off Gas to Appliance*, page 21).



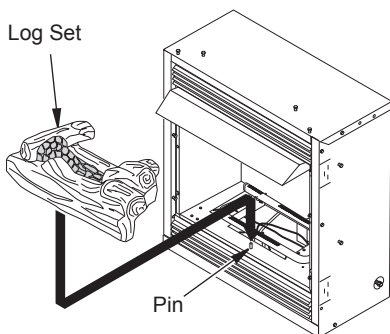
**Figure 20 - Checking Gas Joints (Propane/LP Only)**



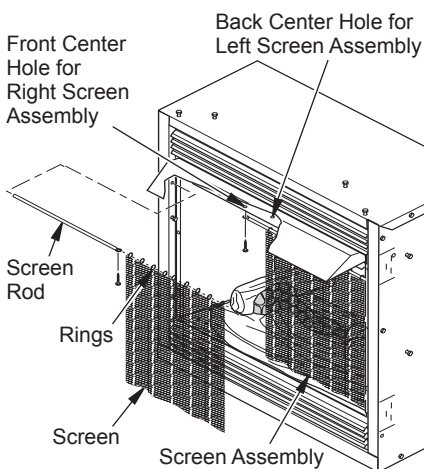
**Figure 21 - Checking Gas Joints (Natural Gas Only)**

## INSTALLING LOG SET AND SCREEN

1. Remove log packaging material and discard. Gently place log over burner. Place front of log onto pin on firebox floor (see Figure 22). (Do not allow log to contact flame as this will create sooting.)
2. Insert each rod through ten rings located at top of screen (see Figure 23).
3. Insert first rod into hole in left side of firebox. Fasten rod to rear hole near center of firebox using black Phillips head screw (see Figure 23).
4. Insert other rod into hole on right side of firebox and fasten rod to front hole near center of firebox using remaining sheet metal screw.



**Figure 22 - Installing Log**



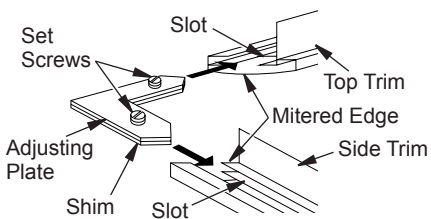
**Figure 23 - Installing Screen**

# INSTALLATION

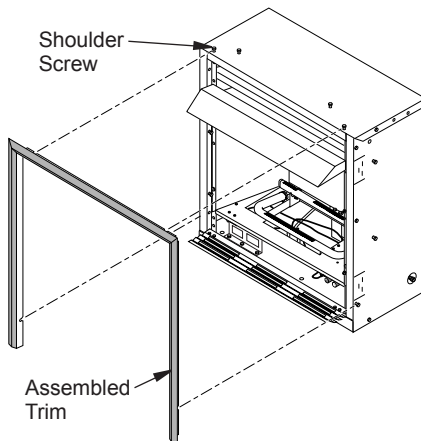
*Continued*

## ASSEMBLING AND INSTALLING TRIM

1. Remove packaging from 3 pieces of trim.
2. Locate 2 adjusting plates with set screws and 2 shims in hardware packet.
3. Align shim under adjusting plate as shown in Figure 24.
4. Slide one end of adjusting plate/shim in slot on mitered edge of top trim (see Figure 24).
5. Slide other end of adjusting plate/shim in slot on mitered edge of side trim (see Figure 24).
6. While firmly holding edges of trim together, tighten both set screws on adjusting plate with slotted screwdriver.
7. Repeat steps 2 through 6 on other corner.
8. Tighten trim hanging screws (#10 x 6.25 shoulder) into holes in cabinets. Place the assembled trim onto fireplace cabinet.



**Figure 24 - Assembling Trim**



**Figure 25 - Attaching Trim to Fireplace**

## OPTIONAL MANTEL INSTALLATION

Refer to instructions provided with the mantel for assembly instructions.

## INSTALLING OPTIONAL BLOWER ACCESSORY GA3450TA

Refer to instructions provided with the blower for assembly instructions.

## OPERATION

**FOR YOUR SAFETY  
READ BEFORE LIGHTING**

**⚠ WARNING:** If you do not follow these instructions exactly, a fire or explosion may result causing property damage, personal injury or loss of life.

- A. This appliance has a pilot which must be lighted by hand. When lighting the pilot, follow these instructions exactly.
- B. **BEFORE LIGHTING** smell all around the appliance area for gas. Be sure to smell next to the floor because some gas is heavier than air and will settle on the floor.  
**WHAT TO DO IF YOU SMELL GAS**
  - Do not try to light any appliance.

- Do not touch any electric switch; do not use any phone in your building.
  - Immediately call your gas supplier from a neighbor's phone. Follow the gas supplier's instructions.
  - If you cannot reach your gas supplier, call the fire department.
- C. Use only your hand to push in or turn the gas control knob. Never use tools. If the knob will not push in or turn by hand, don't try to repair it, call a qualified service technician or gas supplier. Force or attempted repair may result in a fire or explosion.
  - D. Do not use this appliance if any part has been under water. Immediately call a qualified service technician to inspect the appliance and to replace any part of the control system and any gas control which has been under water.



# OPERATION

Continued

## LIGHTING INSTRUCTIONS

**⚠ WARNING:** You must operate this fireplace with the screen in place. Make sure fireplace screen is installed before running fireplace.

**NOTICE:** During initial operation of new fireplace, burning logs will give off a paper-burning smell. Open window to vent smell. Operate fireplace on HI position to burn off odor. This will only last a few hours.

1. STOP! Read the safety information, page 19.
2. Make sure equipment shutoff valve is fully open.
3. Turn control knob clockwise  to the OFF position.
4. Wait five (5) minutes to clear out any gas. Then smell for gas, including near the floor. If you smell gas, STOP! Follow "B" in the safety information, page 19. If you don't smell gas, go to the next step.
5. Turn control knob counterclockwise  to the PILOT position. Press in control knob for five (5) seconds (see Figure 26).

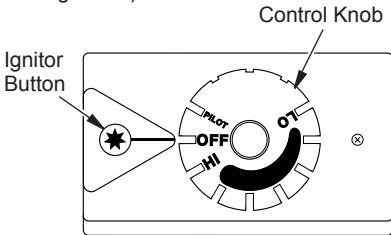




Figure 26 - Control Knob In the OFF Position

*Note:* You may be running this fireplace for the first time after hooking up to gas supply. If so, the control knob may need to be pressed in for 30 seconds or more. This will allow air to bleed from the gas system.

- If control knob does not pop out when released, contact a qualified service person or gas supplier for repairs.
6. With control knob pressed in, press and release ignitor button. This will light pilot. The pilot is attached to the front burner. If needed, keep pressing ignitor button until pilot lights.

*Note:* If pilot does not stay lit, refer to Troubleshooting, page 24. Also, contact a qualified service person or gas supplier for repairs. Until repairs are made, light pilot with match. To light pilot with match, see Manual Lighting Procedure, page 21.

7. Keep control knob pressed in for 30 seconds after lighting pilot. After 30 seconds, release control knob.  
*Note:* If pilot goes out, repeat steps 3 through 7.
8. Turn control knob counterclockwise  to desired heating level. The burner should light. Set control knob to any heat level between HI and LO.
9. To leave pilot lit and shut off burners only, turn control knob clockwise  to the PILOT position.

**⚠ CAUTION:** Do not try to adjust heating levels by using the equipment shutoff valve.

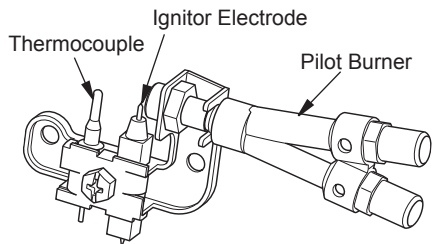



Figure 27 - Pilot

# OPERATION

Continued

## TO TURN OFF GAS TO APPLIANCE

### Shutting Off Fireplace

1. Turn control knob clockwise  to the OFF position.
2. Turn off all electric power to the appliance (if applicable) if service is to be performed.
3. Close equipment shutoff valve (see Figure 19, page 17).

## THERMOSTAT CONTROL OPERATION

The thermostat used on this fireplace senses the room temperature. At times the room may exceed the set temperature. If so, the burner will shut off. The burner will cycle back on when room temperature drops below the set temperature.

The control knob can be set to any heat level between HI and LO.

*Note: The thermostat sensing bulb measures the air near the fireplace cabinet. This may not always agree with room temperature (depending on housing construction, installation location, room size, open air temperatures, etc.). Frequent use of your fireplace will let you determine your own comfort levels.*

## MANUAL LIGHTING PROCEDURE

1. Follow steps 1 through 5 under Lighting Instructions, page 20.
2. With control knob pressed in, strike match. Hold match to pilot until pilot lights.
3. Keep control knob pressed in for 30 seconds after lighting pilot. After 30 seconds, release control knob. Now follow step 8 under Lighting Instructions, page 20.

## OPERATING OPTIONAL BLOWER

This blower has three settings: ON, OFF and AUTO. In the ON position, the blower will operate constantly. In the OFF position, the blower will not operate. In the AUTO position, the blower will start when the thermostat senses a sufficient increase in firebox temperature.

*Note: Your fireplace and thermostat blower will not turn on and off at the same time. The fireplace may run for several minutes before the blower turns on. After the heater modulates to the pilot position, the blower will continue to run. The blower will shut off after the firebox temperature decreases.*

*Note: It is safe to operate fireplace with blower turned off. However, the blower helps distribute heated air from the fireplace.*

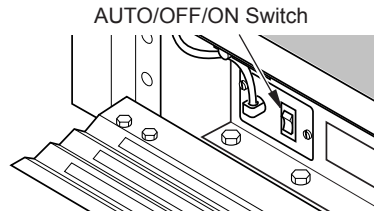


Figure 28 - AUTO/OFF/ON Blower Switch

# SPECIFICATIONS

### Model CCFPDT

• Gas Type	Natural	Propane/LP
• Input Max.	26,000 Btu/Hr	26,000 Btu/Hr
• Input Min.	16,000 Btu/Hr	23,000 Btu/Hr
• Manifold Pressure	3.5" W.C.	8" W.C.
• Max. Inlet Pressure	10.5" W.C.	14" W.C.
• Min. Inlet Pressure*	5" W.C.	11" W.C.

\*For purposes of input adjustment

# INSPECTING BURNERS

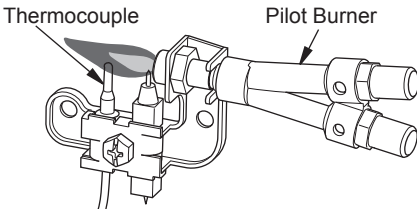
Check pilot flame pattern and burner flame patterns often.

## PILOT FLAME PATTERN

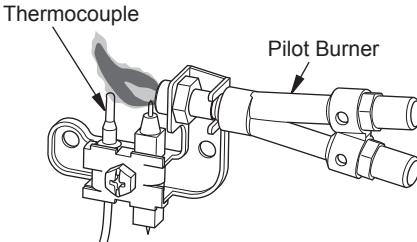
Figure 29 shows a correct pilot flame pattern. Figure 30 shows an incorrect pilot flame pattern. The incorrect pilot flame is not touching the thermocouple. This will cause the thermocouple to cool. When the thermocouple cools, the fireplace will shut down.

If pilot flame pattern is incorrect, as shown in Figure 30

- turn fireplace off (see [To Turn Off Gas to Appliance](#), page 21
- see [Troubleshooting](#), page 24

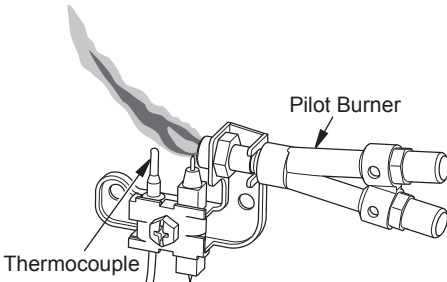


**Figure 29 - Correct Pilot Flame Pattern**



**Figure 30 - Incorrect Pilot Flame Pattern**

Figure 31 shows an incorrect pilot flame pattern when using the wrong gas type. Turn off heater and call a qualified service person to make corrections.



**Figure 31 - Incorrect Pilot Flame Pattern When Using Wrong Gas Type**

*Note: The pilot flame on natural gas units will have a slight curve, but flame should be blue and have no yellow or orange color.*

## BURNER FLAME PATTERN

Figure 32 shows a correct burner flame pattern. Figure 33 shows an incorrect burner flame pattern. The incorrect burner flame pattern shows sporadic, irregular flame tipping. The flame should not be dark or have an orange/reddish tinge.

*Note: When using the fireplace the first time, the flame will be orange for approximately one hour until the log cures.*

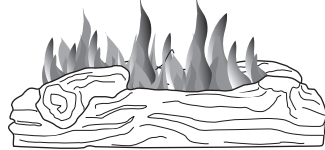
If burner flame pattern is incorrect, as shown in Figure 33

- turn fireplace off (see [To Turn Off Gas to Appliance](#), page 21
- see [Troubleshooting](#), page 24

Figure 34 shows an incorrect pilot flame pattern when using the wrong gas type. Turn off heater and call a qualified service person to make corrections.



**Figure 32 - Correct Burner Flame Pattern**



**Figure 33 - Incorrect Burner Flame Pattern**



**Figure 34 - Incorrect Burner Flame Pattern When Using Wrong Gas Type**

## CLEANING AND MAINTENANCE

**⚠ WARNING: Turn off fireplace and let cool before cleaning.**

**⚠ CAUTION: You must keep control areas, burner and circulating air passageways of fireplace clean. Inspect these areas of fireplace before each use. Have fireplace inspected yearly by a qualified service person. Fireplace may need more frequent cleaning due to excessive lint from carpeting, pet hair, bedding material, etc.**

**⚠ WARNING: Failure to keep the primary air opening(s) of the burner(s) clean may result in sooting and property damage.**

### BURNER INJECTOR HOLDER AND PILOT AIR INLET HOLE

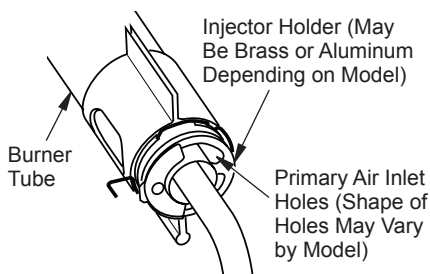
The primary air inlet holes allow the proper amount of air to mix with the gas. This provides a clean burning flame. Keep these holes clear of dust, dirt, lint and pet hair. Clean these air inlet holes prior to each heating season. Blocked air holes will create soot. We recommend that you clean the unit every three months during operation and have fireplace inspected yearly by a qualified service person.

We also recommend that you keep the burner tube and pilot assembly clean and free of dust and dirt. To clean these parts we recommend using compressed air no greater than 30 PSI. Your local computer store, hardware store or home center may carry compressed air in a can. If using compressed air in a can, please follow the directions on the can. If you don't follow directions on the can, you could damage the pilot assembly.

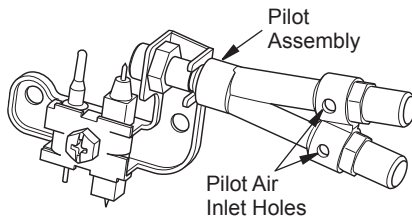
1. Shut off unit including pilot. Allow unit to cool for at least 30 minutes.
2. Inspect burner, pilot and primary air inlet holes on injector holder for dust and dirt (see Figure 35).
3. Blow air through the ports/slots and holes in the burner.

4. Check injector holder located at the end of burner tube again. Remove any large particles of dust, dirt, lint or pet hair with a soft cloth or vacuum cleaner nozzle.
5. Blow air into the primary air holes on the injector holder.
6. In case any large clumps of dust have now been pushed into the burner repeat steps 3 and 4.

Clean the pilot assembly also. A yellow tip on the pilot flame indicates dust and dirt in the pilot assembly. There is a small pilot air inlet hole about 2" from where the pilot flame comes out of the pilot assembly (see Figure 36). With the unit off, lightly blow air through the air inlet hole. You may blow through a drinking straw if compressed air is not available.



**Figure 35 - Injector Holder On Outlet Burner Tube**



**Figure 36 - Pilot Air Inlet Holes**

### LOG SET

- If you remove one-piece log set for cleaning, refer to page 18, for placement instructions.
- Replace log set if broken or chipped (dime-sized or larger).

### CABINET

#### Air Passageways

Use a vacuum cleaner or pressurized air to clean.

#### Exterior

Use a soft cloth dampened with a mild soap and water mixture. Wipe the cabinet to remove dust.

## TROUBLESHOOTING

**⚠ WARNING:** Turn off and unplug fireplace and let cool before servicing. Only a qualified service person should service and repair fireplace.

**⚠ CAUTION:** Never use a wire, needle or similar object to clean ODS/pilot. This can damage ODS/pilot unit.

*Note: All troubleshooting items are listed in order of operation.*

OBSERVED PROBLEM	POSSIBLE CAUSE	REMEDY
When ignitor button is pressed, there is no spark at ODS/pilot	<ol style="list-style-type: none"> <li>1. Ignitor electrode not connected to ignitor cable</li> <li>2. Ignitor cable pinched or wet</li> <li>3. Broken ignitor cable</li> <li>4. Bad piezo ignitor</li> <li>5. Ignitor electrode positioned wrong</li> <li>6. Ignitor electrode broken</li> </ol>	<ol style="list-style-type: none"> <li>1. Reconnect ignitor cable</li> <li>2. Free ignitor cable if pinched by any metal or tubing. Keep ignitor cable dry</li> <li>3. Replace ignitor cable</li> <li>4. Replace piezo ignitor</li> <li>5. Replace pilot assembly</li> <li>6. Replace pilot assembly</li> </ol>
When ignitor button is pressed, there is spark at ODS/pilot but no ignition	<ol style="list-style-type: none"> <li>1. Gas supply turned off or equipment shutoff valve closed</li> <li>2. Control knob not in PILOT position</li> <li>3. Control knob not pressed in while in PILOT position</li> <li>4. Air in gas lines when installed</li> <li>5. Depleted gas supply (propane/LP only)</li> <li>6. ODS/pilot is clogged</li> <li>7. Gas regulator setting is not correct</li> </ol>	<ol style="list-style-type: none"> <li>1. Turn on gas supply or open equipment shutoff valve</li> <li>2. Turn control knob to PILOT position</li> <li>3. Press in control knob while in PILOT position</li> <li>4. Continue holding down control knob. Repeat igniting operation until air is removed</li> <li>5. Contact local propane/LP gas company</li> <li>6. Clean ODS/pilot (see <u>Cleaning and Maintenance</u>, page 23) or replace ODS/pilot assembly</li> <li>7. Replace gas regulator</li> </ol>



# TROUBLESHOOTING

*Continued*

OBSERVED PROBLEM	POSSIBLE CAUSE	REMEDY
<p>ODS/pilot lights but flame goes out when control knob is released</p>	<ol style="list-style-type: none"> <li>1. Control knob not fully pressed in</li> <li>2. Control knob not pressed in long enough</li> <li>3. Equipment shutoff valve not fully open</li> <li>4. Pilot flame not touching thermocouple, which allows thermocouple to cool, causing pilot flame to go out. This problem could be caused by one or both of the following: A) Low gas pressure B) Dirty or partially clogged ODS/pilot</li> <li>5. Thermocouple connection loose at control valve</li> <li>6. Thermocouple damaged</li> <li>7. Control valve damaged</li> </ol>	<ol style="list-style-type: none"> <li>1. Press in control knob fully</li> <li>2. After ODS/pilot lights, keep control knob pressed in 30 seconds</li> <li>3. Fully open equipment shut-off valve</li> <li>4. A) Contact local natural or propane/LP gas company  B) Clean ODS/pilot (see <u><i>Cleaning and Maintenance</i></u>, page 23) or replace ODS/pilot assembly</li> <li>5. Hand tighten until snug, then tighten 1/4 turn more</li> <li>6. Replace pilot assembly</li> <li>7. Replace control valve</li> </ol>
<p>Burner does not light after ODS/pilot is lit</p>	<ol style="list-style-type: none"> <li>1. Inlet gas pressure is too low</li> <li>2. Burner orifice is clogged</li> </ol>	<ol style="list-style-type: none"> <li>1. Contact local natural or propane/LP gas company</li> <li>2. Clean burner (see <u><i>Cleaning and Maintenance</i></u>, page 23) or replace burner orifice</li> </ol>
<p>Delayed ignition of burner</p>	<ol style="list-style-type: none"> <li>1. Manifold pressure is too low</li> <li>2. Burner orifice is clogged</li> </ol>	<ol style="list-style-type: none"> <li>1. Contact local natural or propane/LP gas company</li> <li>2. Clean burner (see <u><i>Cleaning and Maintenance</i></u>, page 23) or replace burner orifice</li> </ol>
<p>Burner backfiring during combustion</p>	<ol style="list-style-type: none"> <li>1. Burner orifice is clogged or damaged</li> <li>2. Damaged burner</li> <li>3. Gas regulator defective</li> <li>4. Inlet gas pressure is too low</li> </ol>	<ol style="list-style-type: none"> <li>1. Clean burner (see <u><i>Cleaning and Maintenance</i></u>, page 23) or replace burner orifice</li> <li>2. Replace damaged burner</li> <li>3. Replace gas regulator</li> <li>4. Contact local natural or propane/LP gas company</li> </ol>

## TROUBLESHOOTING

*Continued*

OBSERVED PROBLEM	POSSIBLE CAUSE	REMEDY
Slight smoke or odor during initial operation	1. Residues from manufacturing processes and log curing	1. Problem will stop after a few hours of operation
	2. Not enough air	2. Check burner for dirt and debris. If found, clean burner (see <i>Cleaning and Maintenance</i> , page 23)
	3. Gas regulator defective	3. Replace gas regulator
Fireplace produces a whistling noise when burner is lit	1. Turning control knob to HI position when burner is cold	1. Turn control knob to LO position and let warm up for a minute
	2. Air in gas line	2. Operate burner until air is removed from line. Have gas line checked by local natural gas company
	3. Air passageways on fireplace blocked	3. Observe minimum installation clearances (see page 10)
	4. Dirty or partially clogged burner orifice	4. Clean burner (see <i>Cleaning and Maintenance</i> , page 23) or replace burner orifice
White powder residue forming within burner box or on adjacent walls or furniture	1. When heated, vapors from furniture polish, wax, carpet cleaners, etc. may turn into white powder residue	1. Turn fireplace off when using furniture polish, wax, carpet cleaners or similar products
No yellow flame (mostly blue)	1. Not enough combustion/ventilation air	1. Refer to <i>Air for Combustion and Ventilation</i> requirements (page 6)
Tall, yellow flames (soot may be visible)	1. Wrong gas conversion (natural gas on propane/LP setting)	1. Make sure natural gas regulator (blue) and selector disk are set in the natural gas positions (see page 14)
Moisture/condensation noticed on windows	1. Wrong gas conversion (propane/LP gas on natural setting)	1. Make sure propane/LP regulator (red) and selector disk is set in the propane/LP position (see page 14)
Fireplace produces a clicking/ticking noise just after burners are lit or shut off	1. Metal expanding while heating or contracting while cooling	1. This is normal with most fireplaces. If noise is excessive, contact qualified service person

# TROUBLESHOOTING

Continued



**WARNING:** If you smell gas

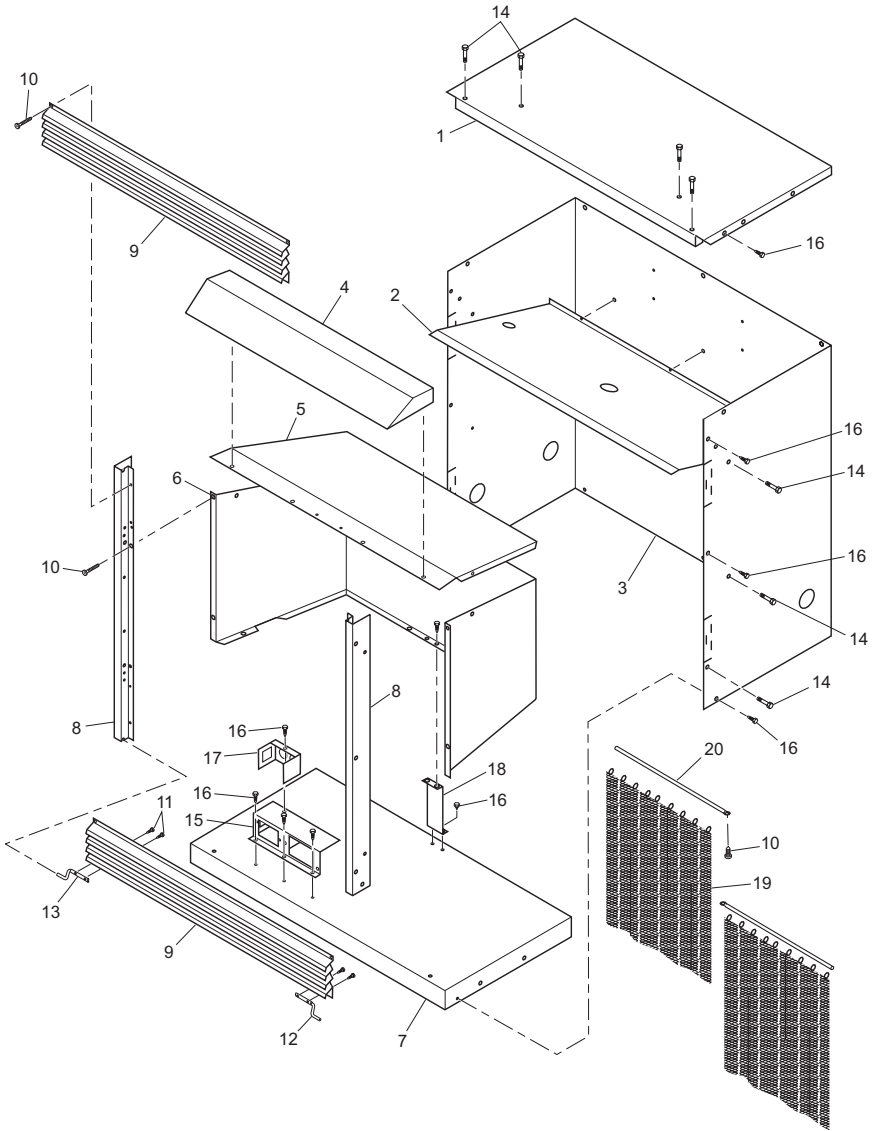
- Shut off gas supply.
- Do not try to light any appliance.
- Do not touch any electrical switch; do not use any phone in your building.
- Immediately call your gas supplier from a neighbor's phone. Follow the gas supplier's instructions.
- If you cannot reach your gas supplier, call the fire department.

*IMPORTANT:* Operating fireplace where impurities in air exist may create odors. Cleaning supplies, paint, paint remover, cigarette smoke, cements and glues, new carpet or textiles, etc., create fumes. These fumes may mix with combustion air and create odors. These odors will disappear over time.

OBSERVED PROBLEM	POSSIBLE CAUSE	REMEDY
Fireplace produces unwanted odors	<ol style="list-style-type: none"><li>1. Fireplace burning vapors from paint, hair spray, glues, cleaners, chemicals, new carpet, etc. (See <i>IMPORTANT</i> statement above)</li><li>2. Low fuel supply (propane/LP only)</li><li>3. Gas leak. <b>See Warning statement at top of page</b></li></ol>	<ol style="list-style-type: none"><li>1. Open window to ventilate room. Stop using odor causing products while fireplace is running</li><li>2. Refill supply tank (propane/LP only)</li><li>3. Locate and correct all leaks (see <i>Checking Gas Connections</i>, page 17)</li></ol>
Fireplace shuts off in use (ODS operates)	<ol style="list-style-type: none"><li>1. Not enough fresh air is available</li><li>2. Low line pressure</li><li>3. ODS/pilot is partially clogged</li></ol>	<ol style="list-style-type: none"><li>1. Open window and/or door for ventilation</li><li>2. Contact local natural or propane/LP gas company</li><li>3. Clean ODS/pilot (see <i>Cleaning and Maintenance</i>, page 23)</li></ol>
Gas odor even when control knob is in OFF position	<ol style="list-style-type: none"><li>1. Gas leak. <b>See Warning statement at top of page</b></li><li>2. Control valve defective</li></ol>	<ol style="list-style-type: none"><li>1. Locate and correct all leaks (see <i>Checking Gas Connections</i>, page 17)</li><li>2. Replace control valve</li></ol>
Gas odor during combustion	<ol style="list-style-type: none"><li>1. Foreign matter between control valve and burner</li><li>2. Gas leak. <b>See Warning statement at top of page</b></li></ol>	<ol style="list-style-type: none"><li>1. Contact a qualified service technician to remove foreign matter</li><li>2. Locate and correct all leaks (see <i>Checking Gas Connections</i>, page 17)</li></ol>

# PARTS

## FIREBOX MODEL CCFPDT



## PARTS

### FIREBOX MODEL CCFPDFT

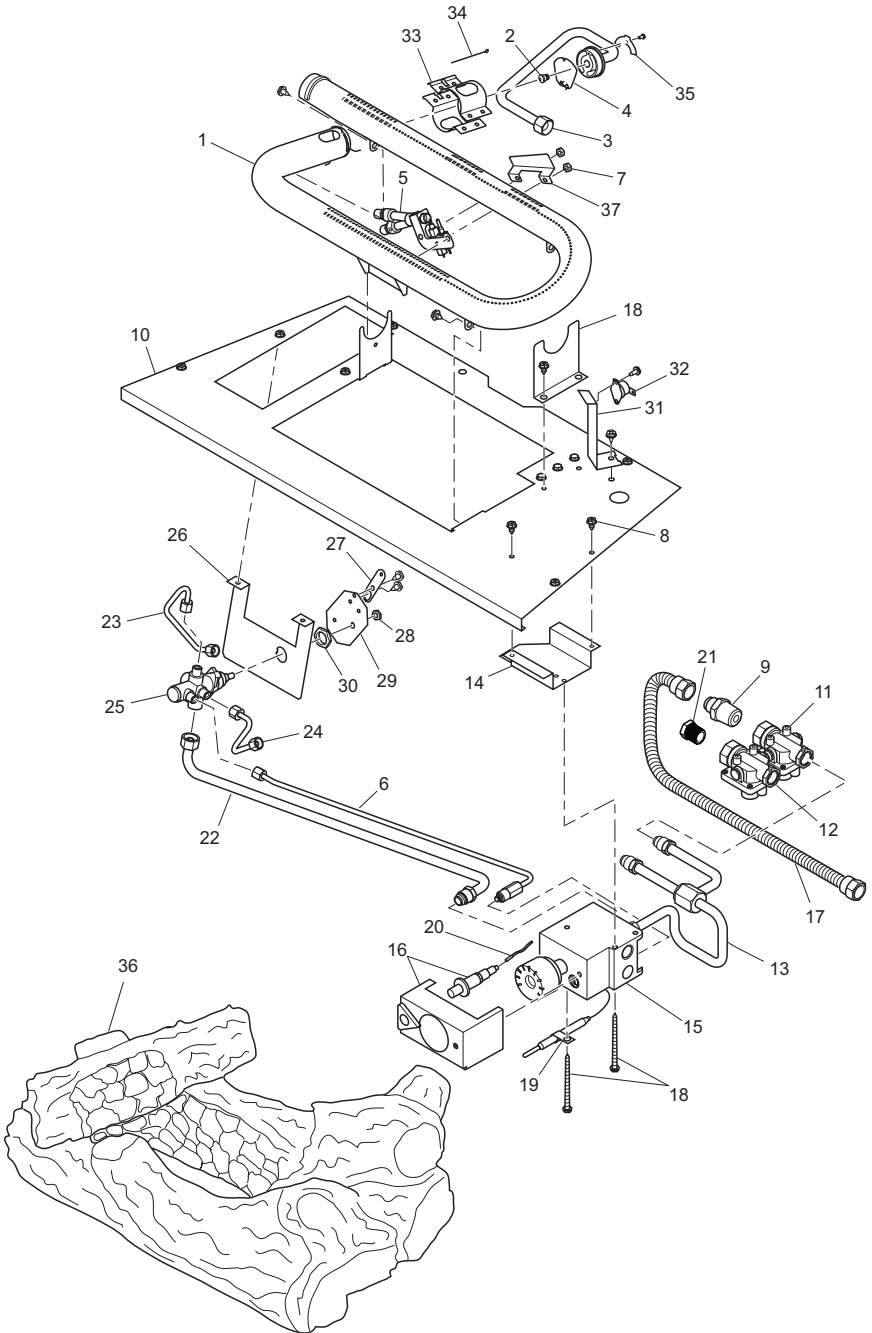
This list contains replaceable parts used in your fireplace. When ordering parts, follow the instructions listed under Replacement Parts on page 32 of this manual.

KEY			
NO.	PART NO.	DESCRIPTION	QTY.
1	**	Outer Casing Top	1
2	**	Baffle	1
3	**	Outer Casing	1
4	104281-02BR	Firebox Hood	1
5	**	Firebox Top	1
6	**	Firebox Wrapper	1
7	**	Outer Base	1
8	102635-02	Front Left and Right Sides	2
9	103209-05	Extruded Louver	2
10	098304-01	Screw, PPH AB 10-16 x 0.38	8
	098304-02	Screw, PPH AB 6-20 x 0.38	4
11	M10908-2	Screw, SLTD HWH TPG 6-32 x 0.38	6
12	104313-01	Right Pin Hinge	1
13	104313-02	Left Pin Hinge	1
14	099230-02	Screw, HWH SHLDR AB 10 x 0.63	10
15	111038-02	Remote/Blower Bracket	1
16	M11084-26	Screw, HWH AB 10-16 x 0.38	47
17	111633-01	Box Cover	1
18	111200-01	Support Bracket	1
19	105440-01	Screen Assembly	1
20	103452-03	Screen Rod	2

\*\* Not a field replacement part

# PARTS

## BURNER ASSEMBLY MODEL CCFPDT



## PARTS

### BURNER ASSEMBLY MODEL CCFPDT

This list contains replaceable parts used in your fireplace. When ordering parts, follow the instructions listed under Replacement Parts on page 32 of this manual.

KEY			
NO.	PART NO.	DESCRIPTION	QTY
1	123697-01	Dual Burner	1
2	099056-34	Injector	1
3	123635-01	Outlet Tube	1
4	111124-01	Burner Retainer Spring	1
5	123484-01	Dual Fuel ODS Pilot	1
6	099387-09	Pilot Tube	1
7	098249-01	ODS Nut	2
8	M11084-38	Screw, HWH AB 8-18 x 0.38	4
9	097809-02	Male Fitting	1
10	**	Chamber Floor	1
11	099415-18	Propane/LP Gas Regulator	1
12	099415-25	Natural Gas Regulator	1
13	123691-01	Inlet Tube	1
14	102394-02	Control Bracket	1
15	098522-12	Gas Valve	1
16	101381-01	Valve Cover with Piezo	1
17	101628-03	Flexible Connector	1
18	099211-01	Screw, HWH AB 10-16 x 2.50	2
19	098544-01	Thermobulb Clip	1
20	098271-01	Ignitor Cable	1
21	123618-01	3/8" NPT Hex Pipe Plug	1
22	123685-01	Valve Tube	1
23	123683-01	Pilot Tube	1
24	123683-02	Pilot Tube	1
25	122750-03	Dual Fuel Valve	1
26	123686-01	Selector Valve Bracket	1
27	123714-01	Dual Fuel Linkage	1
28	NPC -3C	Hex Nut 10-24	1
29	122832-02	Selector Valve Plate	1
30	098508-01	Valve Retainer Nut	1
31	123550-01	Switch Bracket	1
32	114025-03	Thermal Limit Switch	1
33	122798-01	Shutter	2
34	123591-01	Cotter Pin	1
35	108134-01	Rear NG Plate	1
36	113342-02	Log Set	1
37	124313-01	Pilot Shield	1
<b>PARTS AVAILABLE — NOT SHOWN</b>			
	901056-01	Brass Flare Adapter Fitting	1
	103470-06	Hardware Pack	1
	123566-01	Lighting Instruction Plate, English	1
	123566-02	Lighting Instruction Plate, Spanish	1

\*\* Not a field replacement part

## REPLACEMENT PARTS

*Note: Use only original replacement parts. This will protect your warranty coverage for parts replaced under warranty.*

### PARTS UNDER WARRANTY

Contact authorized dealers of this product. If they can't supply original replacement part(s), call DESA Heating, LLC at 1-866-672-6040. When calling DESA Heating, LLC, have ready:

- your name
- your address
- model and serial numbers of your heater
- how heater was malfunctioning
- purchase date

Usually, we will ask you to return the part to the factory.

### PARTS NOT UNDER WARRANTY

Contact authorized dealers of this product. If they can't supply original replacement part(s), call DESA Heating, LLC at 1-866-672-6040 for referral information. A list of authorized dealers can be found by visiting [www.desatech.com](http://www.desatech.com). When calling DESA Heating, LLC, have ready:

- model and serial numbers of your heater
- the replacement part number

## SERVICE HINTS

### When Gas Pressure Is Too Low

- pilot will not stay lit
- burners will have delayed ignition
- fireplace will not produce specified heat
- for propane/LP units, propane/LP gas supply may be low

You may feel your gas pressure is too low. If so, contact your local natural or propane/LP gas supplier.

## TECHNICAL SERVICE

You may have further questions about installation, operation, or troubleshooting. If so, contact DESA Heating, LLC at 1-866-672-6040. When calling please have your model and serial numbers of your heater ready.

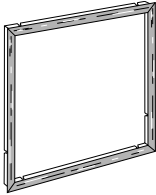
You can also visit DESA Heating, LLC's web site at [www.desatech.com](http://www.desatech.com).



## ACCESSORIES

**NOTICE: All accessories may not be available for all fireplace models.**

Purchase these accessories from your local dealer. If they can not supply these accessories call DESA Heating, LLC at 1-866-672-6040 for information. You can also write to the address listed on the back page of this manual.



### PERIMETER TRIM KIT - GA6095

**For all models.** Optional four-sided perimeter trim kit for recessed built-in installations (when unit is raised off of the floor). Provides a finished appearance by covering rough edges of wall opening.

### PERIMETER TRIM KIT

**GA6094 - Polished Brass**

**GAP6094 - Platinum**

**For all models.** Optional three-sided perimeter trim kit for custom and recessed installations (when unit is on the floor). Provides a finished appearance by covering rough edges of wall opening. Black trim included with fireplace.

### EXTRUDED LOUVER KIT

**GA9092 - Polished Brass**

**GAP9092 - Platinum**

**For all models.** Optional extruded louver. Kit contains 2 louvers.

### BRICK LINERS - SERIES 3

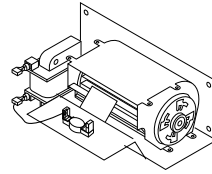
**HFL200 - Aged Almond, Straight Brick Pattern**

**HFL201 - Aged Red, Straight Brick Pattern**

**For all models.** Allows firebox interior to be aesthetically enhanced.

### INFORMATION DVD

**For all models.** A care and maintenance video is available by calling 1-866-672-6040. You may also email your request to [productsupport@desaint.com](mailto:productsupport@desaint.com).



### THERMOSTAT-CONTROLLED BLOWER KIT - GA3450TA

**For all models.** Provides better heat distribution. Makes fireplace more efficient. Automatically turns off and on as needed.

### CORNER MANTEL WITH FULL HEARTH BASE

**GMC83F - Oak Finished, Georgian Design**

**CS26CP - Black/Red Oak, Cottage Design**

**CMA208FB - Light Oak Finished, Traditional Design**

**For all models.** Space saving mantel and hearth base corner design features clean, classic lines. Complete assembly instructions included. Three-sided perimeter trim kit included.

### CABINET MANTEL AND FULL HEARTH BASE

**GMC80FA - Light Oak Finished, Georgian Design**

**CMA205UA - Unfinished, Traditional Design**

**CMA204FA - Light Oak Finish, Traditional Design**

**CMA210W - White, Traditional Design**

**WS26CP - Black/Red Oak, Cottage Design**

**WD26CPA - White, Cottage Design**

**WS26DS - Red Oak, Keystone Design**

**WD26GOSA - Dark Oak, Mission Design**

**W26LT - Oak Stain**

**For all models.** Complete assembly instructions included. Three sided perimeter trim kit included.

### CLEANING KIT - CCK

**For all models.** Your vent-free gas appliance requires regular cleaning and maintenance to prevent performance problems. This kit gives you the tools and instructions to make it easy to clean all critical areas of your appliance.





---

---

# WARRANTY

---

---

## KEEP THIS WARRANTY

Model (located on product or identification tag) \_\_\_\_\_

Serial No. (located on product or identification tag) \_\_\_\_\_

Date Purchased \_\_\_\_\_

Keep receipt for warranty verification.

## DESA HEATING, LLC LIMITED WARRANTIES

### New Products

**Standard Warranty:** DESA Heating, LLC warrants this new product and any parts thereof to be free from defects in material and workmanship for a period of one (1) year from the date of first purchase from an authorized dealer provided the product has been installed, maintained and operated in accordance with DESA Heating, LLC's warnings and instructions.

For products purchased for commercial, industrial or rental usage, this warranty is limited to 90 days from the date of first purchase.

### Factory Reconditioned Products

**Limited Warranty:** DESA Heating, LLC warrants factory reconditioned products and any parts thereof to be free from defects in material and workmanship for 30 days from the date of first purchase from an authorized dealer provided the product has been installed, maintained and operated in accordance with DESA Heating, LLC's warnings and instructions.

### Terms Common to All Warranties

The following terms apply to all of the above warranties:

Always specify model number and serial number when contacting the manufacturer. To make a claim under this warranty the bill of sale or other proof of purchase must be presented.

This warranty is extended only to the original retail purchaser when purchased from an authorized dealer, and only when installed by a qualified installer in accordance with all local codes and instructions furnished with this product.

This warranty covers the cost of part(s) required to restore this product to proper operating condition and an allowance for labor when provided by a DESA Heating, LLC Authorized Service Center or a provider approved by DESA Heating, LLC. Warranty parts must be obtained through authorized dealers of this product and/or DESA Heating, LLC who will provide original factory replacement parts. Failure to use original factory replacement parts voids this warranty.

Travel, handling, transportation, diagnostic, material, labor and incidental costs associated with warranty repairs, unless expressly covered by this warranty, are not reimbursable under this warranty and are the responsibility of the owner.

Excluded from this warranty are products or parts that fail or become damaged due to misuse, accidents, improper installation, lack of proper maintenance, tampering, or alteration(s).

This is DESA Heating, LLC's exclusive warranty, and to the full extent allowed by law; this express warranty excludes any and all other warranties, express or implied, written or verbal and limits the duration of any and all implied warranties, including warranties of merchantability and fitness for a particular purpose to one (1) year on new products and 30 days on factory reconditioned products from the date of first purchase. DESA Heating, LLC makes no other warranties regarding this product.

DESA Heating, LLC's liability is limited to the purchase price of the product, and DESA Heating, LLC shall not be liable for any other damages whatsoever under any circumstances including indirect, incidental, or consequential damages.

Some states do not allow limitations on how long an implied warranty lasts or the exclusion or limitation of incidental or consequential damages, so the above limitation or exclusion may not apply to you.

This warranty gives you specific legal rights, and you may also have other rights which vary from state to state.

For information about this warranty contact:



DESA Heating, LLC  
2701 Industrial Drive  
Bowling Green, KY 42101  
www.desatech.com  
1-866-672-6040



123721 01  
NOT A UPC

123721-01  
Rev. E  
09/08