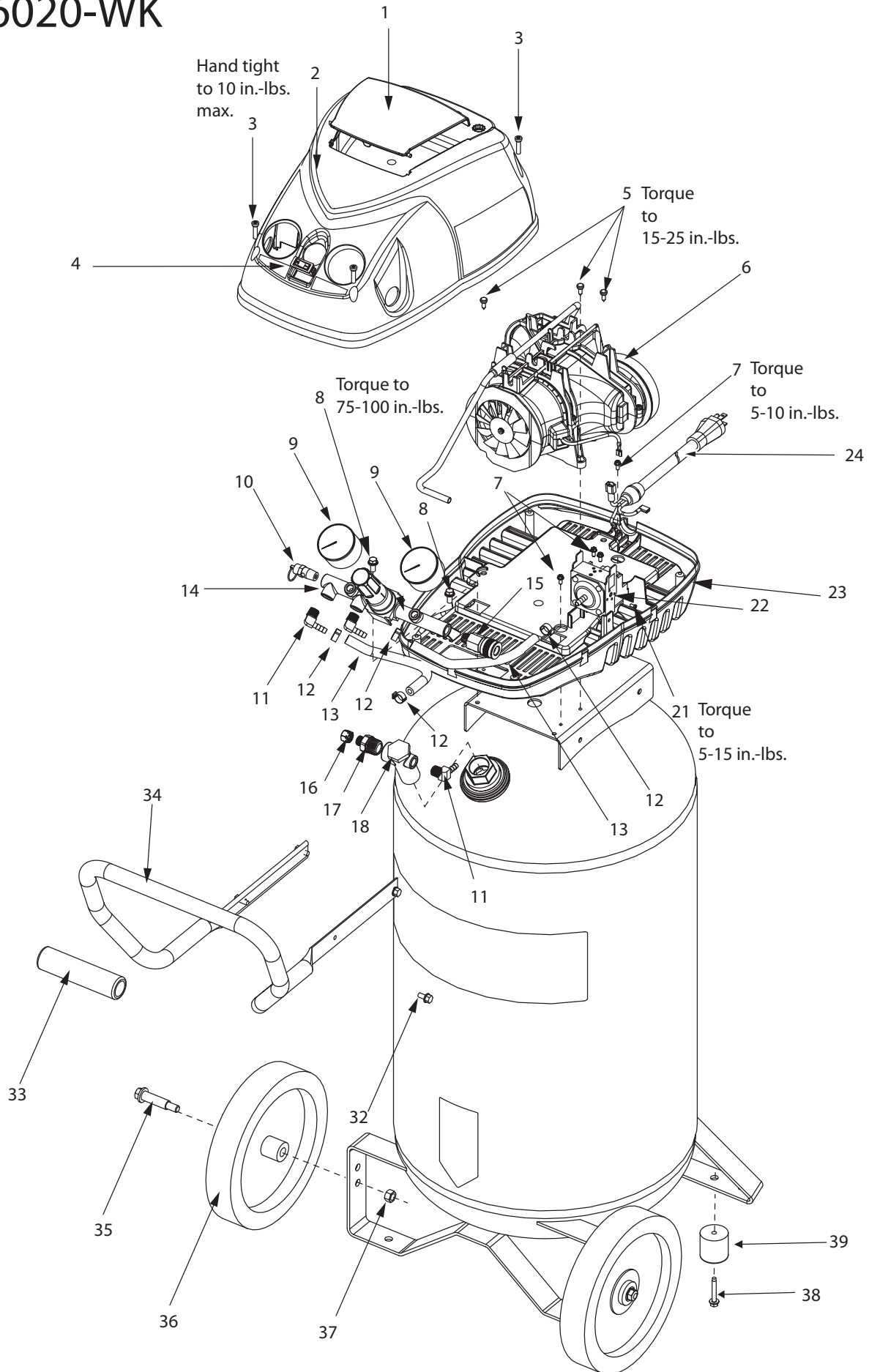


Y6020-WK



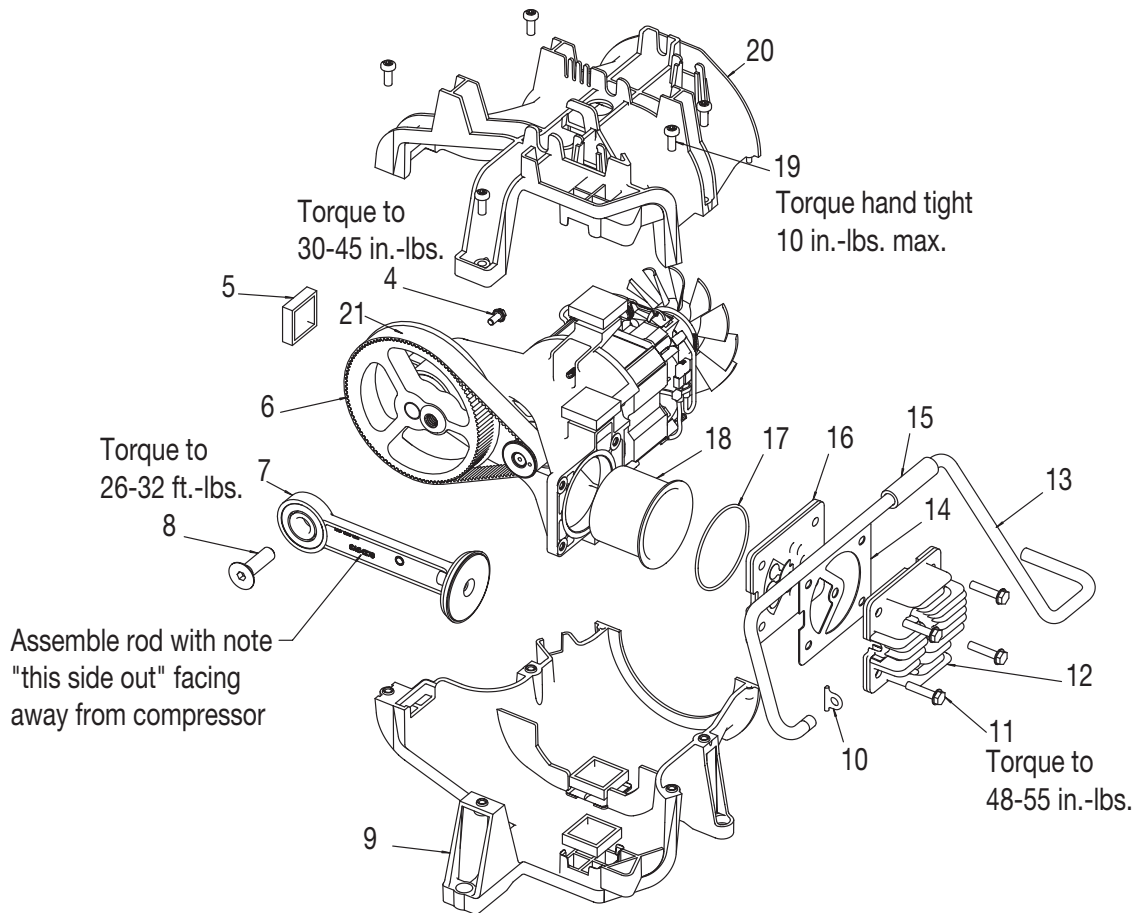
Key No.	Part Number	Description
1	D29603	Shroud, Door
2	D29601	Shroud, Top
3	SSF-3156	Fastener Assembly (4)
4	D28870	Switch
5	ACG-408	Fastener Assembly (3)
6	#	Pump Assembly
7	SUDL-9-1	Screw #8-32X.375/.344 HHW (4)
8	D21172	Screw .250-20X.500 HHW (2)
9	Z-D27212	Gauge 200PSI (2)
10	D20114	Safety Valve
11	SSP-537	Elbow Fitting, 90° (3)
12	CAC-1206-1	Hose Clamp (4)
13	D28499	Hose 1/4 ID X 7.50 (2)
14	D29605	Regulator/Manifold Assembly
15	D20675	Quick Connect Body
16	SSP-473	Nut Sleeve 5/16"
17	D30365	Check Valve 1/2NPT X 5/16
18	D29628	Standpipe 3/4NPT
21	D28960	Screw #6-32X.250 TORX
22	Z-D29600	Pressure Switch
23	D29602	Shroud, Bottom
24	D26615	Power Cord
32	D21172	Screw .250-14X.500 HEX (4)
33	AC-0558	Grip
34	D29629	Handle
35	CAC-60	Shoulder Bolt .375-16X2.25 (2)
36	D23138	Wheel 9" (2)
37	SSF-8080-ZN	Nut .375-16 UNC-2B HEX (2)
38	SSF-630	Screw .250-20X1.50 HHW (2)
39	SST-107	Recess Rubber Bumper (2)

Order individual parts

NOT SHOWN

D23000 Drain Valve

Y6020



Key

No.		Part Number	Description
4	x	SUDL-9-1	Screw, #8-32X.375/.344
5	*	D25731	Pump Isolator (5)
6		Z-D23625	Endbell Assembly
7	+	-----	Connecting Rod Assembly
8	x	SSF-3147	Screw .375-16X.375 UNC HEX
9		D29598	Shroud, Bottom
10	*	CAC-1212	Tube Seal
11	x	SSF-995	Screw #10-24X.875 (4)
12		CAC-1196	Head
13		D29627	Outlet Tube
14		Z-D24819	Head Gasket
15		AC-0206	Isolator Tube
16		Z-D29777	Valve Plate Assembly
17	*	SSG-8169	O-Ring
18	+	-----	Cylinder Sleeve
19	x	SSF-3156	Screw #10-9X.500 (5)
20		D29599	Shroud, Top
21		AC-0815	Timing Belt

Kits Available

*	D28138	Isolator Kit
+	KK-4964	Connecting Rod Kit
x	KK-4929	Fastener Kit