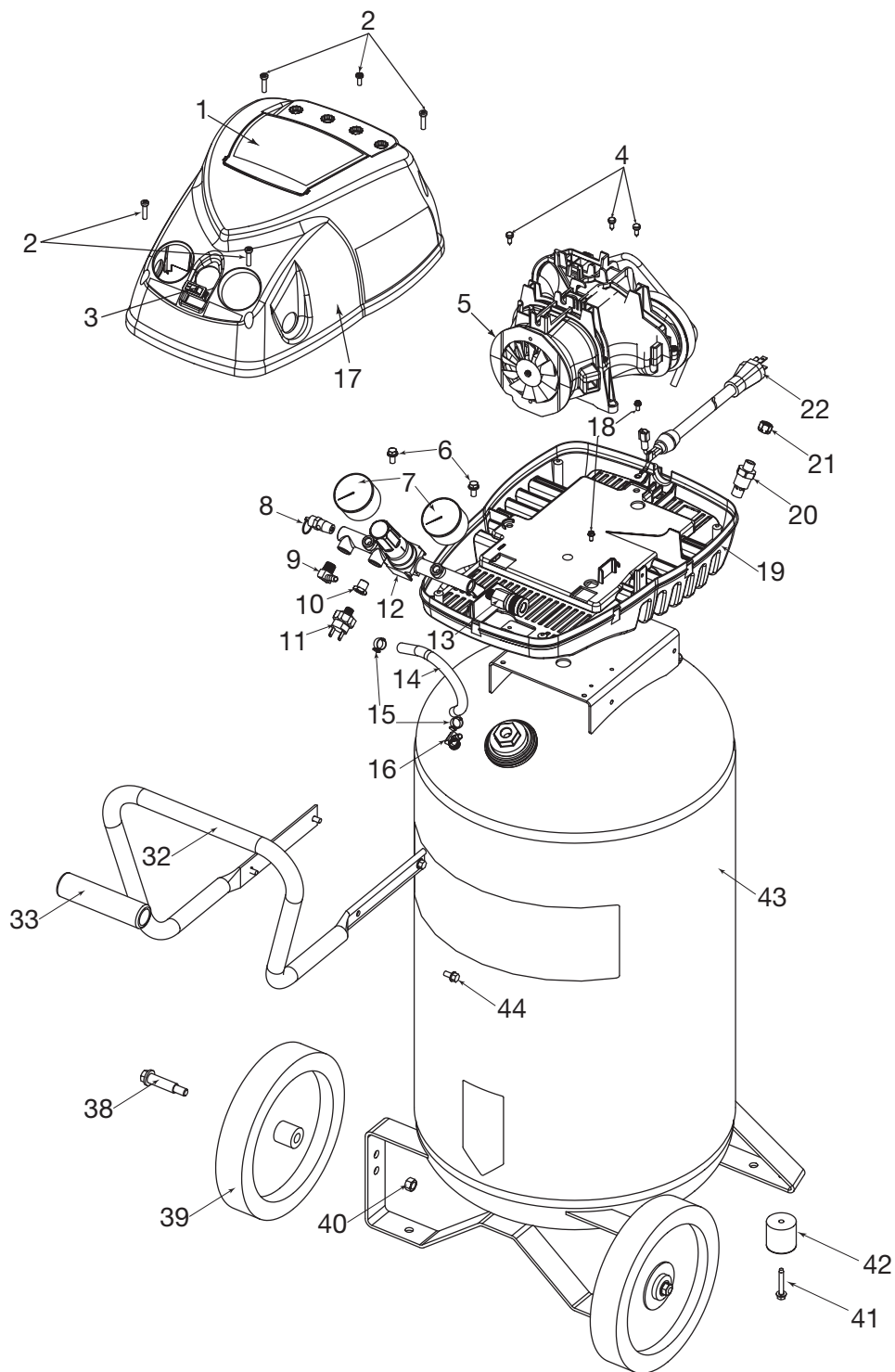


# Y6020-WK-1



# Y6020-WK-1

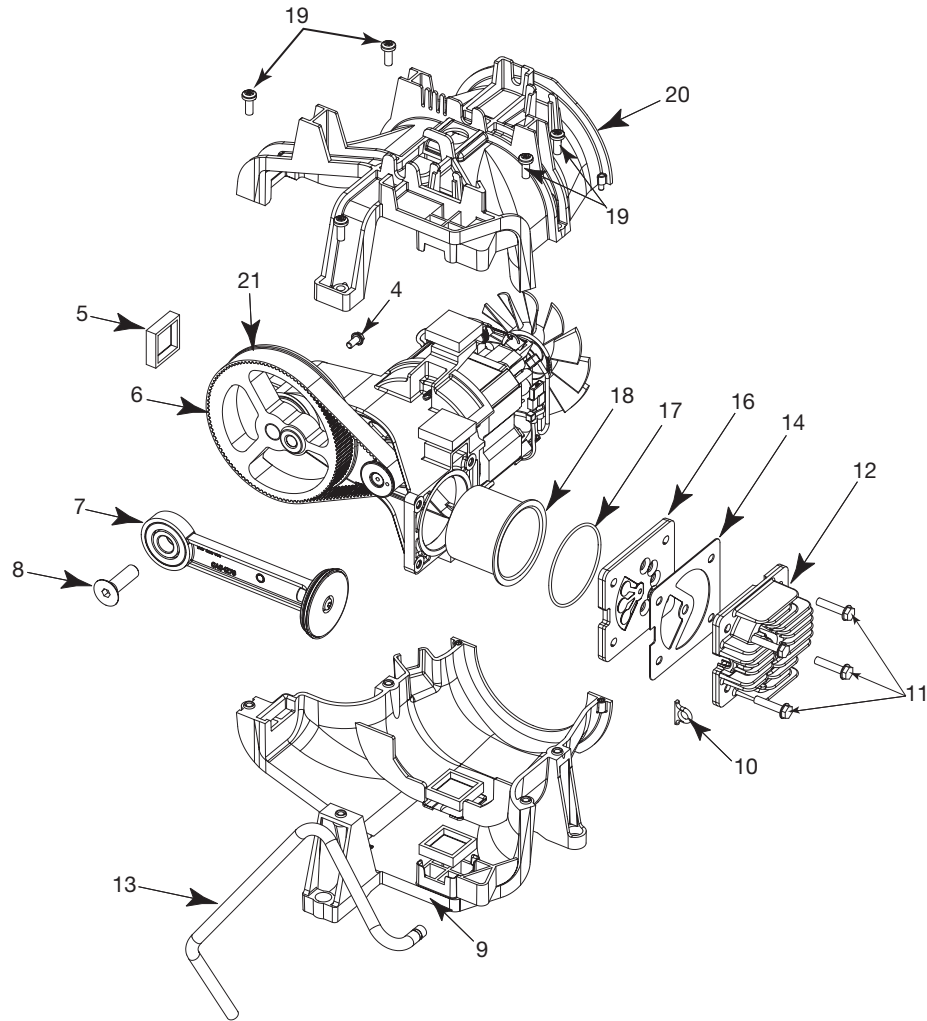
<b>Key No.</b>	<b>Part Number</b>	<b>Description</b>
1	A00160	Shroud, Lid
2	SSF-3156	Fastener Assembly (5)
3	D28870	Switch
4	ACG-408	Fastener Assembly (3)
5	#	Pump Assembly
6	D21172	Screw .250-20X.500 HHW (2)
7	Z-D21929	Gauge 300PSI (2)
8	D20114	Safety Valve
9	SSP-537	Elbow Fitting, 90°
10	SSP-6021	Bushing Reducer 1/8-1/4 NPT
11	Z-A00071	Pressure Switch
12	D29605	Regulator/Manifold Assembly
13	D20675	Quick Connect Body
14	D28499	Hose 1/4 ID X 7.50
15	CAC-1206-1	Hose Clamp (2)
16	D23299	Barb Elbow Fitting
17	A00161	Shroud, Top
18	SUDL-9-1	Screw #8-32X.375/.344 HHW (2)
19	A00599	Shroud, Bottom
20	D30365	Check Valve 1/2NPT X 5/16
21	SSP-473	Nut Sleeve 5/16"
22	D26615	Power Cord
32	D29629	Handle
33	AC-0558	Grip
38	CAC-60	Shoulder Bolt .375-16X2.25 (2)
39	D23138	Wheel 9" (2)
40	SSF-8080-ZN	Nut .375-16 UNC-2B HEX (2)
41	SSF-630	Screw .250-20X1.50 HHW (2)
42	SST-107	Recess Rubber Bumper (2)
43	Z-A00601	Tank
44	D21172	Screw .250-14X.500 HEX (4)

# Order individual parts

## **NOT SHOWN**

D23000 Drain Valve

# Y6020-WK-1



## Key No.

Key No.	Part Number	Description
4	x SUDL-9-1	Screw, #8-32X.375/.344
5	* D25731	Pump Isolator (5)
6	Z-D23625	Endbell Assembly
7	+ -----	Connecting Rod Assembly
8	x SSF-3147	Screw .375-16X.375 UNC HEX
9	D29598	Shroud, Bottom
10	* CAC-1212	Tube Seal
11	x SSF-995	Screw #10-24X.875 (4)
12	CAC-1196	Head
13	A00592	Outlet Tube
14	Z-D24819	Head Gasket
16	Z-D29777	Valve Plate Assembly
17	* SSG-8169	O-Ring
18	+ -----	Cylinder Sleeve
19	x SSF-3156	Screw #10-9X.500 (5)
20	D29599	Shroud, Top
21	AC-0815	Timing Belt

## Kits Available

* D28138	Isolator Kit
+ KK-4964	Connecting Rod Kit
x KK-4929	Fastener Kit