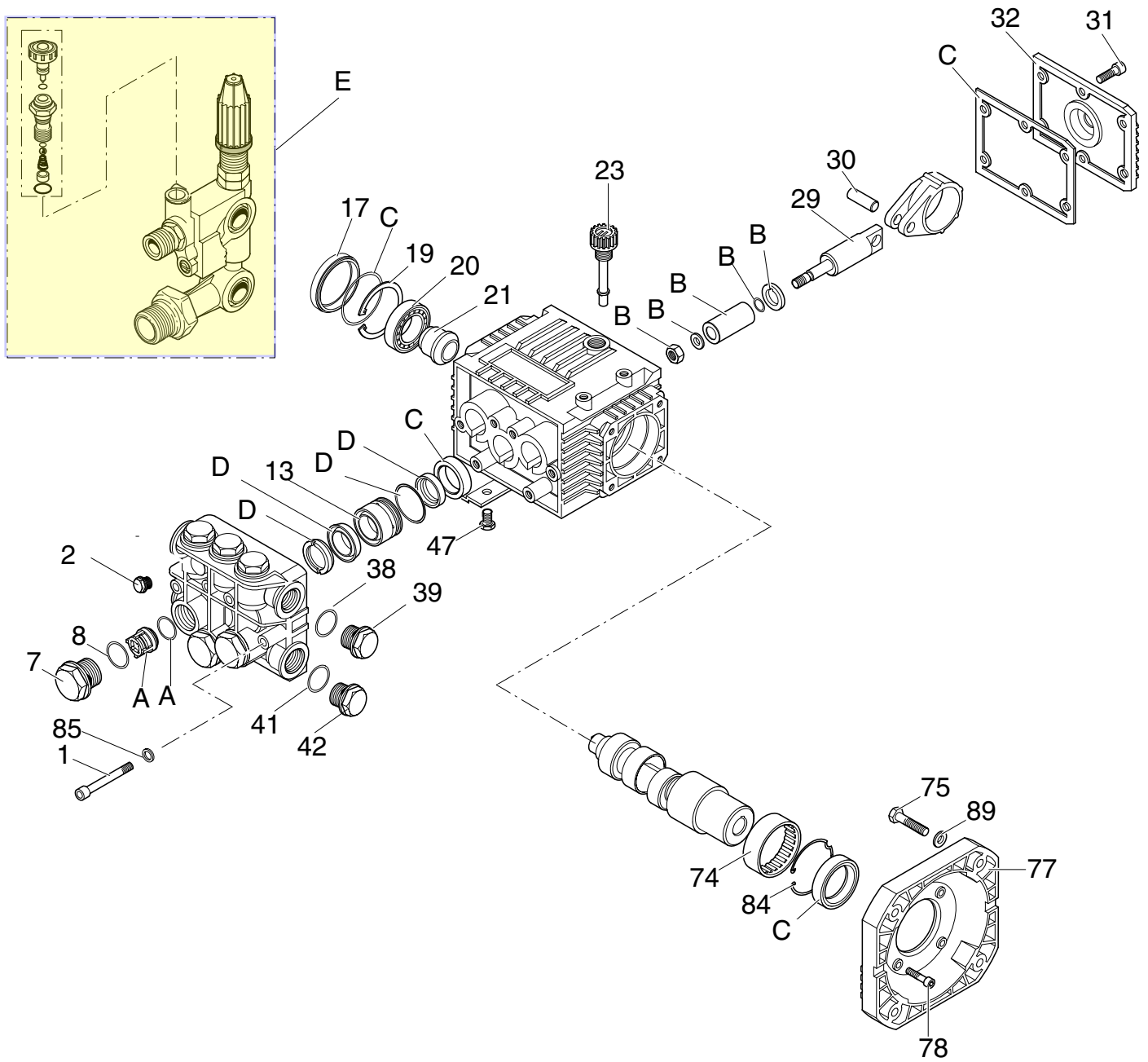


# XTV 2.10 - AR PUMP



## XTV 2.10 - AR PARTS LIST

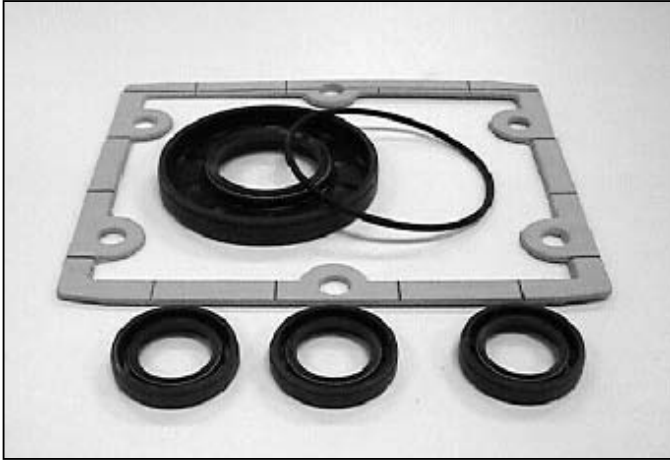
<u>Key #</u>	<u>Part #</u>	<u>Descriptio n</u>
1	AR-132273 0	Scre w
2	AR-62030 1	Plug
7	AR-126016 2	Plug
8	AR-96016 0	O-rin g
13	AR-126015 1	Piston Guide
17	AR-132032 0	Plug
19	AR-126079 0	Circlip
20	AR-132037 0	Bearin g
21	AR-132033 0	Bearin g
23	AR-880130	Oil Plug
28	AR-126009 1	Space r
29	AR-126007 0	Guiding Piston
30	AR-126008 0	Piston Pin
31	AR-126076 0	Scre w
32	AR-132901 0	Complete Cove r
38	AR-74029 0	O-rin g
39	AR-88053 0	Plug
41	AR-18010 1	O-Rin g
42	AR-82036 0	Plug
47	AR-126047 0	Scre w
74	AR-132119 0	Bearin g
75	AR-65061 0	Scre w
77	AR-132006 0	Motor Flange
78	AR-120043 0	Scre w
84	AR-132108 0	Snap Ring
85	AR-138155 0	Washer
A	AR-186 4	Valve Kit
B	AR-262 8	Plunger Kit
C	AR-186 0	Oil Seal Kit
D	AR-186 6	Water Seal Kit
<b>E</b>	<b>AR-2944</b>	<b>Unloader</b>

General Information :

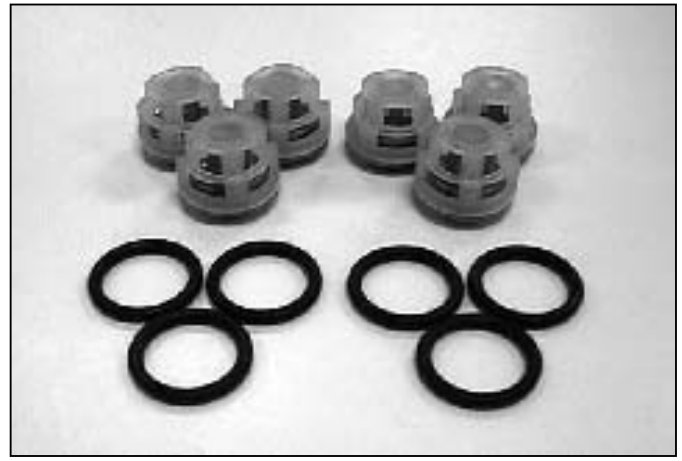
- 30W non-dete rgent oil, 9.92 oz.
- Fill to the middle of sight glas s
- When ording a complete pump order PK16859

# XTV 2.10 - AR REPAIR KITS

**AR-1860 Oil Seal Kit**



**AR-1864 Valve Kit**



**AR-1866 Water Seal Kits**



**AR-2628 Plunger Kit**

