

# WGCPH3040

3000psi @ 4gpm

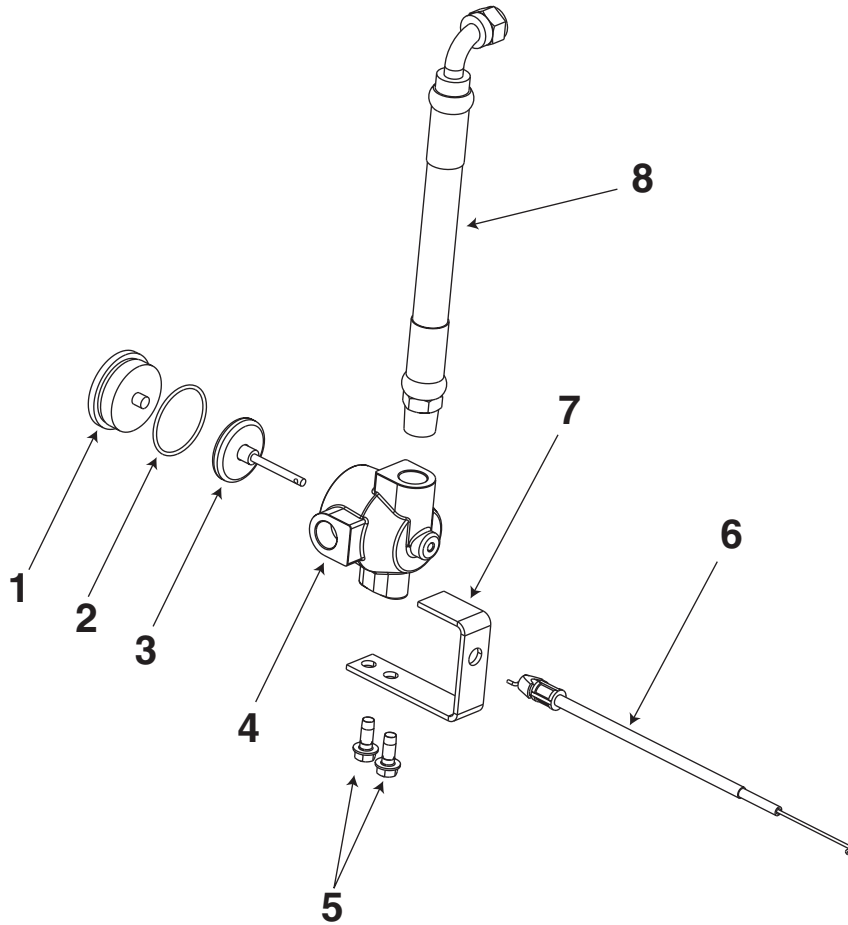
|                        | <b>Part Number</b>   | <b>Description</b>                                  |
|------------------------|----------------------|---|
| Pump Information:      | <b>PK18281</b> ..... | <b>Kit, Pump (AR#XMV4G30)</b>                       |
|                        | * 17657 .....        | Thermal Relief Valve                                |
|                        | * 16776 .....        | Easy Start Valve                                    |
|                        | * 17098 .....        | Inline Filter w/screen                              |
|                        | D21357 .....         | Replacement Filter                                  |
|                        | * 15913 .....        | Hose  |
|                        | * S065 .....         | Clamp   |
|                        | * D20189 .....       | Chemical Injector                                   |
| Engine Information:    | GX-340K1QA .....     | Engine, Honda 11 HP                                 |
|                        | * M036 .....         | Key   |
|                        | 16990 .....          | Oil, 32 oz.   |
| Frame Information:     | 18285 .....          | Frame   |
|                        | ✓ 18072 .....        | Rubber Grommet (holds nozzles)                      |
|                        | 17926 .....          | Foot  |
|                        | 18282 .....          | Handle, Bagged                                      |
|                        | # 16471 .....        | Knob (2)  |
|                        | # 18286 .....        | Saddle Bolt (Used to attach Handle Knob)            |
|                        | 17623 .....          | Tire,Pneu   |
|                        | F464 .....           | Pal Nut (2)   |
| Hardware Information:  |                      |   |
| Foot:                  | F064 (qty 2) .....   | Screw, 5/16-16 x 1"                                 |
|                        | 16087 (qty 2) .....  | Nut, Flangehead 5/16-18                             |
| Engine to Frame:       | F486 (qty 4) .....   | Screw,3/16-16                                       |
|                        | F112 (qty 4) .....   | Flatwasher, 3/8-16                                  |
|                        | 18098 (qty 2) .....  | Nut, Flangehead 3/8-16                              |
| Pump to Engine:        | * F107(qty 4) .....  | lock Washer 3/8"                                    |
|                        | * 15282 .....        | Screw, 3/8-16 x .5                                  |
| Idle Down Assembly:    | 18302 .....          | Idle Down Assembly<br>(See next page for breakdown) |
| Accessory Information: | D20802 .....         | Hose Assy   |
|                        | ▲ F035 .....         | Socket, 3/8 QC x 3/8 NPT Female                     |
|                        | ▲ H043 .....         | Hi Pressure Hose, 3/8" x 50 ft                      |
|                        | 17648 .....          | Lance, Quick -Connect                               |
|                        | + 17775 .....        | Lance   |
|                        | + F037 .....         | Quick Connect                                       |
|                        | 17757 .....          | Trigger Gun Assy                                    |
|                        | • 17699 .....        | Taped Plug, 3/8"                                    |
|                        | • 16496 .....        | Trigger Gun, 3/8" Female                            |
|                        | * H100 .....         | Chemical Hose                                       |
|                        | F035 .....           | Quick Connect, 3/8 " socket x 3/8 FPT               |
|                        | ✓ 17730 .....        | Nozzle Kit (4.5)                                    |
|                        | 18283 .....          | Bagged Parts  |
|                        | # NCT001 .....       | Cleaning Tool                                       |
|                        | # 16797 .....        | Allen Wrench  |
|                        | # 17821 .....        | Video   |
| Manual Information:    | # D21684 .....       | Manual, General-<br>English-Spanish                 |
|                        | ✓ 15107 .....        | Manual, Engine                                      |



- \* Included in Pump Kit
- ▲ Included in Hose Assembly
- # Included in Bagged Parts
- ✓ Included in Bagged Handle
- Included in Gun Assembly
- ◆ Will require special tool for assembly-see Service Flash section of this manual.

## WGCPH3040 (con't)

### 18302 Idle Down Assembly



| <b>Key No.</b> | <b>Part No.</b> | <b>Description</b> |
|----------------|-----------------|--------------------|
| *              | 18302           | Idle Down Assembly |
| 1              | D20607          | Plug, Idle Down    |
| 2              | 18311           | O-Ring             |
| 3              | 18303           | Piston Assembly    |
| 4              | 18304           | Body Assembly      |
| 5              | 18310           | Screw, 1/4-20      |
| 6              | 18345           | Cable, Idle Down   |
| 7              | 18316           | Bracket            |
| 8              | 18341           | Hose, Idle Down    |

\* Includes Key #'s1-4