

WGCPH2530

2500psi @ 3gpm

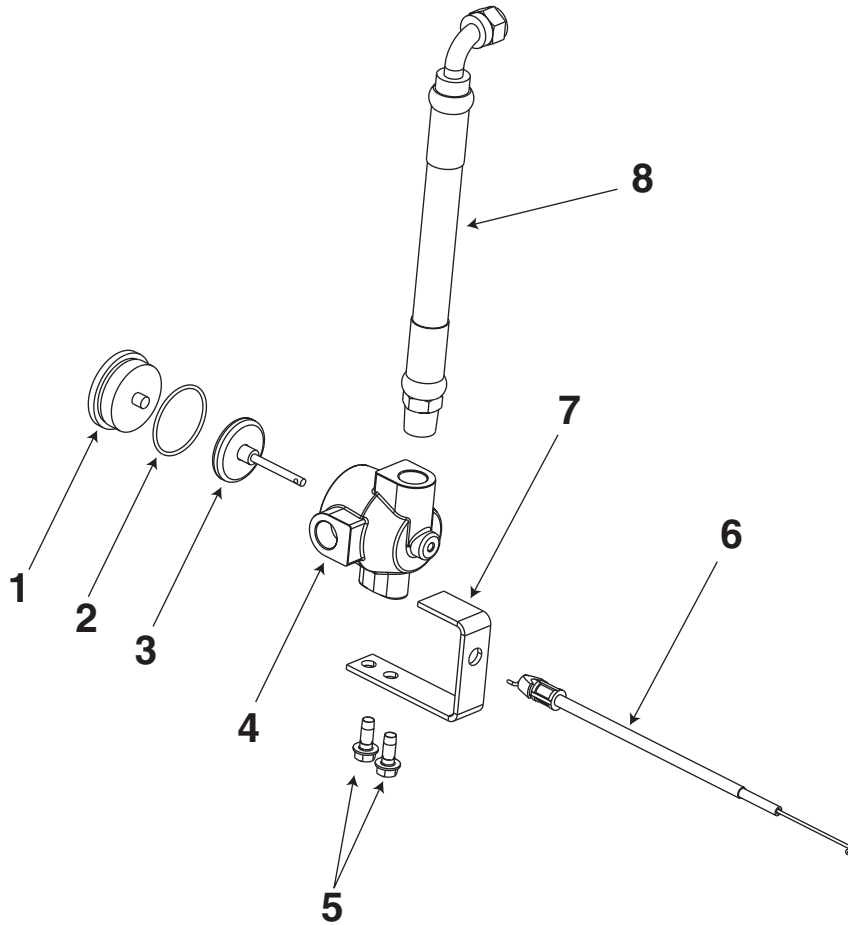
	Part Number	Description
Pump Information:	D20434	Kit, Pump (AR#XMV3G27)
	* 17657	Thermal Relief Valve
	* F050	Plug, Hex
	* 16829	Adapter, FPT
	* D20189	Chemical Injector
Engine Information:	GX200QX2	Engine, Honda 6 HP
	* P448	Key
	16255	Oil, 20 oz.
Frame Information:	18267	Frame
	✓ 18072	Rubber Grommet (holds nozzles)
	17926	Foot
	18270	Handle, Bagged
	# 16471	Knob (2)
	# 18286	Saddle Bolt (Used to attach Handle Knob)
	17623	Tire,Pneu
	F464	Pal Nut (2)
Hardware Information:		
Foot:	F064 (qty 2)	Screw, 5/16-16 x 1"
	16087 (qty 2)	Nut, Flangehead 5/16-18
Engine to Frame:	F066 (qty 2)	Screw,5/16-18 x 1-1/2
	16087 (qty 2)	Nut, Flangehead 5/16-18
Pump to Engine:	* F078 (qty 4)	lock Washer 5/16"
	* 15167 (qty 4)	Screw, 5/16-24
Idle Down Assembly:	18302	Idle Down Assembly (See next page for breakdown)
Accessory Information:	17758	Hose Assy
	▲ F035	Quick Connect Socket
	▲ H076	Hi Pressure Hose, 3/8" x 25 ft
	17648	Lance, Quick -Connect Assembly
	+ 17775	Lance
	+ F037	Quick Connect
	17757	Trigger Gun Assy
	• 17699	Taped Plug, 3/8"
	• 16496	Trigger Gun, 3/8" Female
	* H100	Chemical Hose
	F035	Quick Connect, 3/8" socket x 3/8 FPT
	✓ 17731	Nozzle Kit (4.0)
	18283	Bagged Parts
	# NCT001	Cleaning Tool
	# 16797	Allen Wrench
	# 17821	Video
Manual Information:	# D21684	Manual, General- English-Spanish
	✓ 16560	Manual, Engine



- * Included in Pump Kit
- ▲ Included in Hose Assembly
- # Included in Bagged Parts
- ✓ Included in Bagged Handle
- Included in Gun Assembly
- ◆ Will require special tool for assembly-see Service Flash section of this manual.

WGCPH2530 (con't)

18302 Idle Down Assembly



<u>Key No.</u>	<u>Part No.</u>	<u>Description</u>
*	18302	Idle Down Assembly
1	D20607	Plug, Idle Down
2	18311	O-Ring
3	18303	Piston Assembly
4	18304	Body Assembly
5	18310	Screw, 1/4-20
6	18345	Cable, Idle Down
7	18316	Bracket
8	18341	Hose, Idle Down

* Includes Key #'s1-4