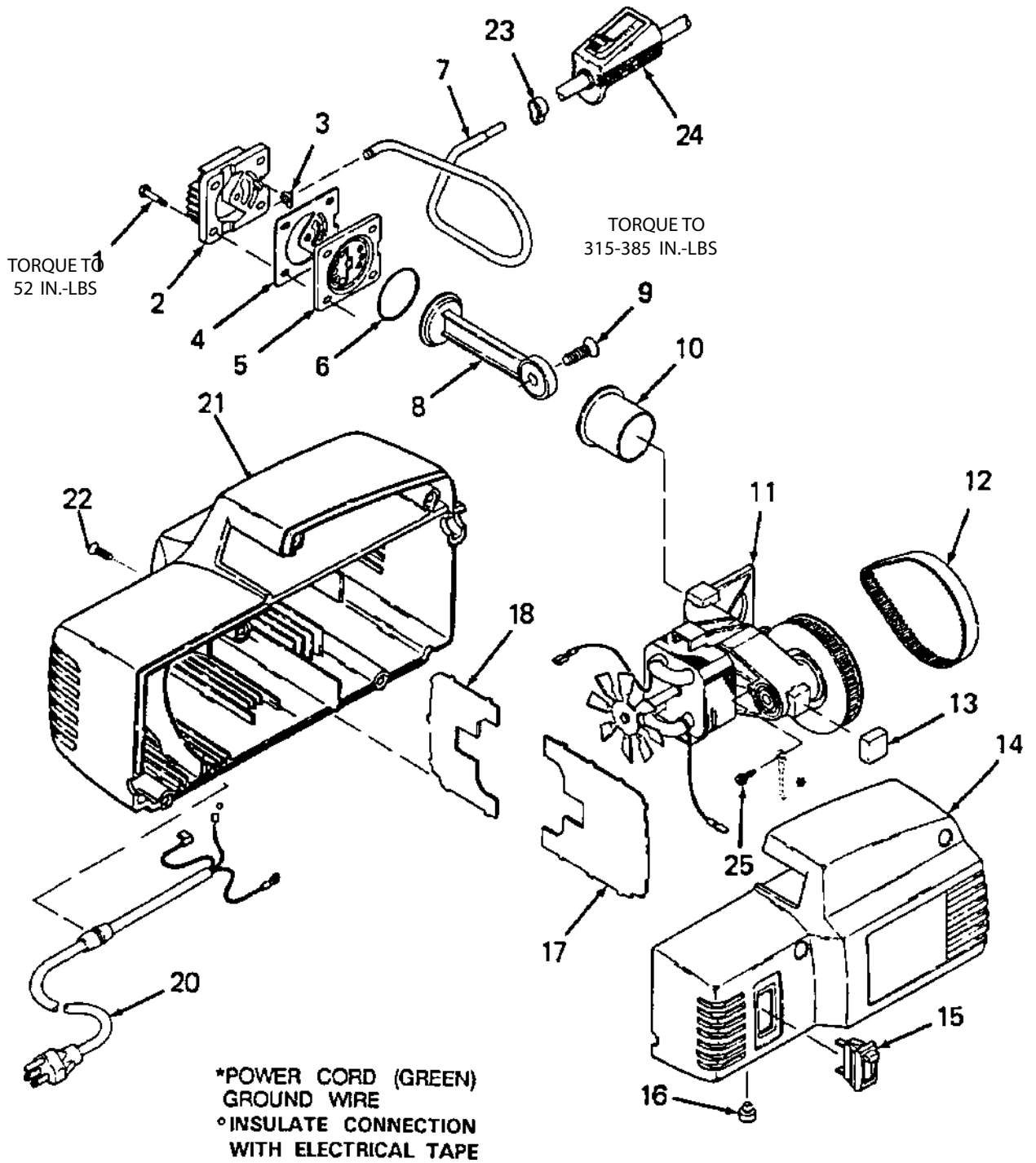


WB-100D-WK-1



WB-100D-1 XE-7D-1 (cont'd)

KEY NO.	PART NUMBER	DESCRIPTION
X 1	SSF-995	Screw #10-24 x 7/8 LG. hex head thd forming (4 used)
2	CAC-1196	Cylinder head
* 3	CAC-1212	Tube seal
* 4	CAC-1199	Head gasket
5	CAC-4323	Valve plate assembly
* 6	SSG-8169	"O" ring
7	CAC-1194-1	Outlet tube
● 8	-----	Rod assembly
X 9	SSF-3147	Screw 3/8-16 x 1.25 LG. hex socket flat head
● 10	-----	Cylinder sleeve
11	-----	Endbell assembly
12	CAC-1311	Timing belt
* 13	CAC-1213	Pump isolator
14	CAC-1191-1	Shroud (right)
15	SSS-16	Switch
* 16	CAC-1211	Housing isolator
+ 17	CAC-1202	Motor baffle (right)
+ 18	CAC-1203	Motor baffle (left)
20	CAC-4074	Cord assembly
21	CAC-1190-1	Shroud (left)
X 22	SSF-3156	Screw #10-9 x 1/2 LG. Phillips head thd forming (4 used)
23	CAC-1206-1	Clamp
24	CAC-4324	Pressure valve assembly
X 25	SUDL-9-1	Screws, ground #8-32 x 3/8 LG. Slotted hex head, thd forming

NOT ILLUSTRATED

MGP-UMCCOMP-3 Owners Manual
MP1-WB100D-2 Parts Manual

- * KK-4930 Isolator Kit includes items 3, 4, 6, 13, 16.
- X KK-4929 Fastener Kit includes items 1, 9, 22, 25.
- + KK-4980 Baffle Kit includes items, 17, 18.
- KK-4964 Connecting Rod Kit includes items 8, 10.