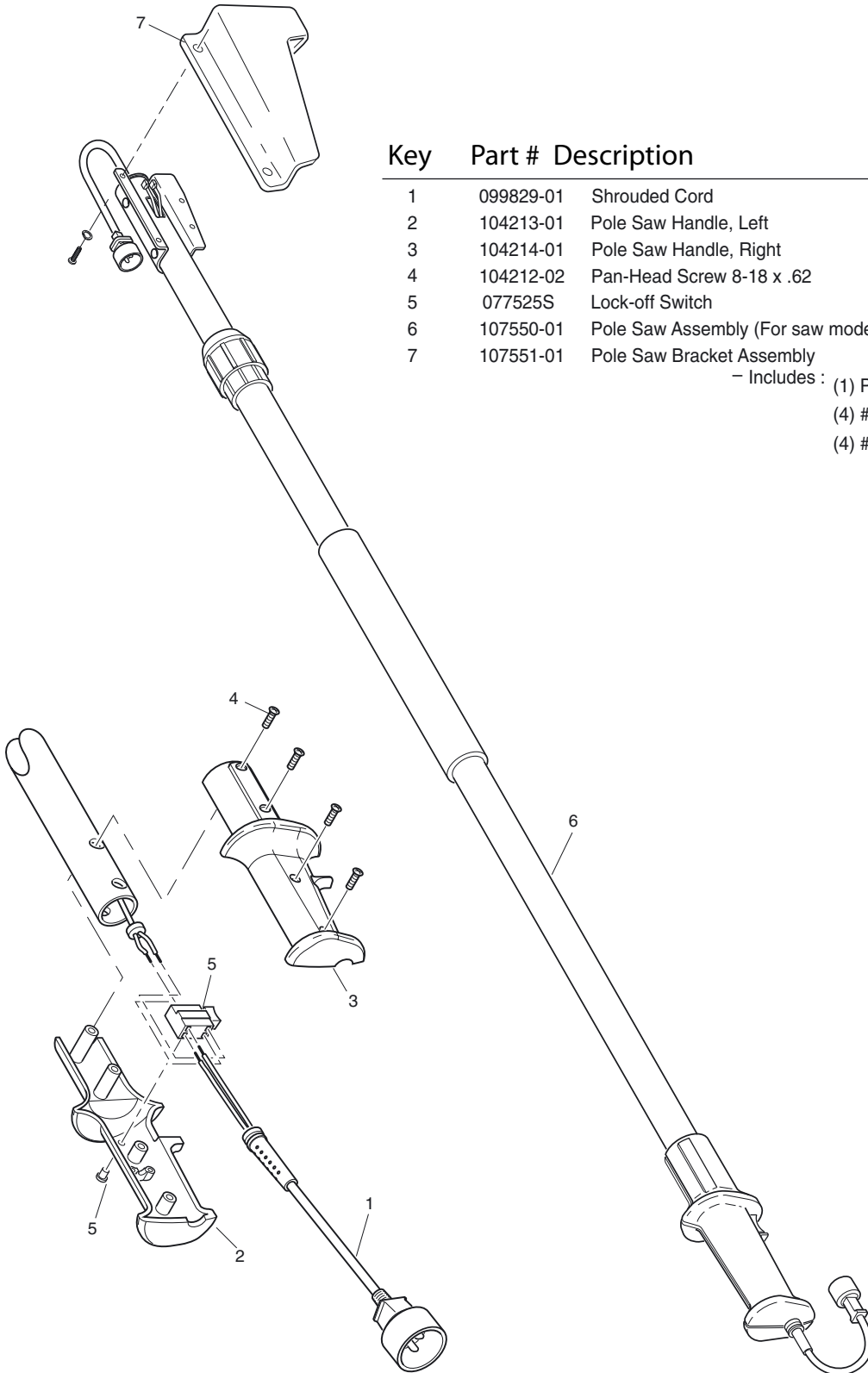


REMINGTON

ELECTRIC CHAIN SAW

Illustrated Parts List

Type RPS96



Key	Part #	Description	Qty.
1	099829-01	Shrouded Cord	1
2	104213-01	Pole Saw Handle, Left	1
3	104214-01	Pole Saw Handle, Right	1
4	104212-02	Pan-Head Screw 8-18 x .62	4
5	077525S	Lock-off Switch	1
6	107550-01	Pole Saw Assembly (For saw models 104316-04, 106890-01, or 108526-01)	1
7	107551-01	Pole Saw Bracket Assembly	1
- Includes : (1) Pole Saw Bracket, Right (4) #10 x 24 Machine Screws (4) #10 Lock Washer			

REMINGTON

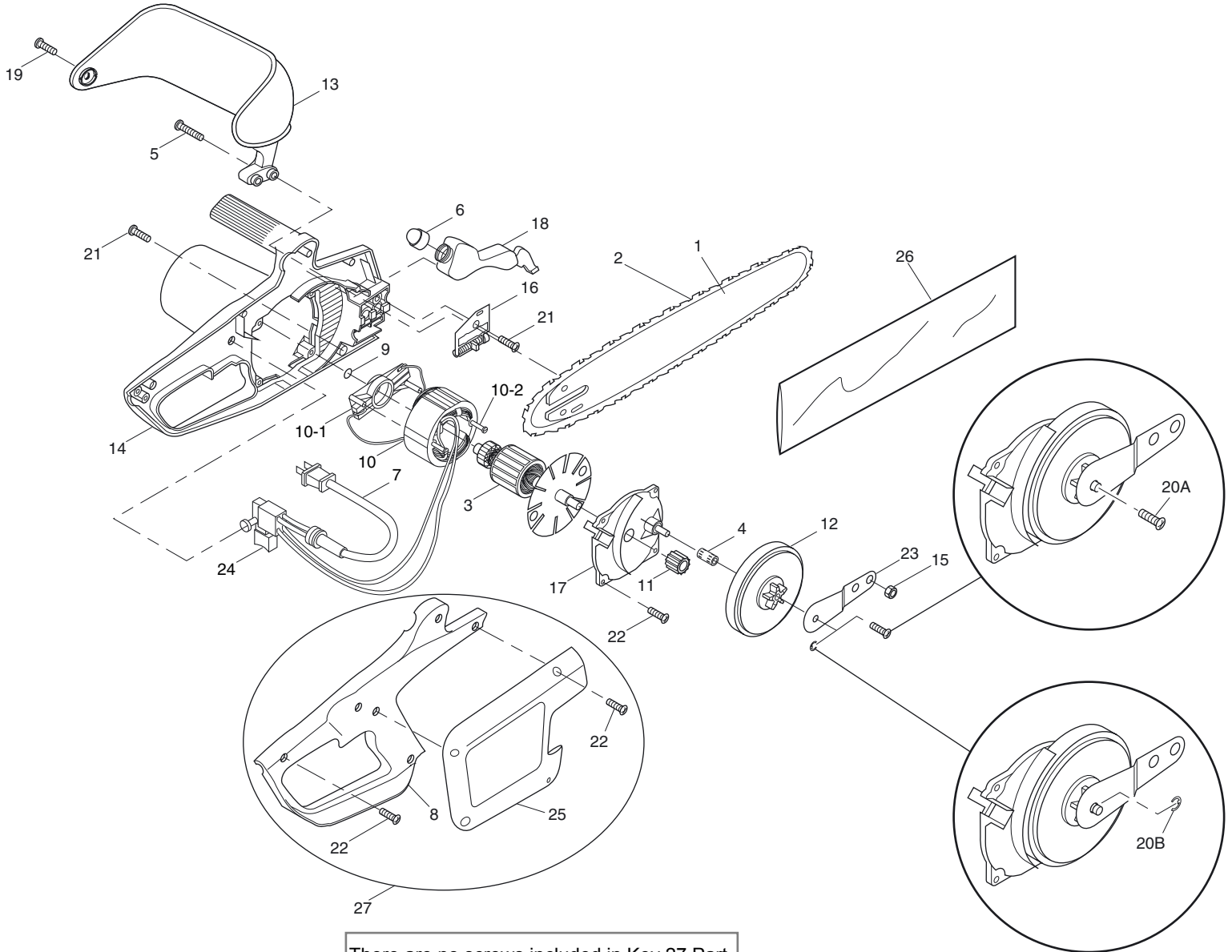
ELECTRIC CHAIN SAW

Illustrated Parts List

MODELS:
 075703L - 075705J - 076728K - 099178H - 100089-06
 100089-08 - 104316-01 - 104316-04 - 104316-05 - 104317
 104634 - 106890-01 - 106890-02 - 107709-01 - 108526-01

Type LNT-2 & LNT-3

For RPS96 Pole Saw 8" - 10" - 12" - 14"



There are no screws included in Key 27 Part Number 111218-01. Use part 107708-01 screws.

Type LNT-2

For RPS96 Pole Saw

Key	Part #	Description	Qty				
			104316-04	106890-01	108526-01	104316-05	106890-02
1	104302-01S	Guide Bar (8"/20.3 cm)	1	—	—	1	—
	097567-01S	Guide Bar (10"/25.4 cm)	—	1	—	—	1
2	104301S	Saw Chain (8"/20.3 cm)	1	—	—	1	—
	091371S	Saw Chain (10"/25.4 cm)	—	1	—	—	1
3	113616-01	Armature Assembly	1	1	1	1	1
4	075676	Sprocket Roller Bearing	1	1	1	1	1
5	076744	Hex-Head Bolt	2	2	—	—	—
	107319-02		—	—	2	2	2
6	107512-01	Cap & Bulb Assembly	1	1	1	1	1
7	099829-01	Power Cord	1	1	1	1	1
8	077399-02	Side Cover	1	1	1	1	1
9	076105	Thrust Disk	1	1	1	1	1
10	113614-01	Field & Brush Assembly	1	1	1	1	1
11	059606	Drive Gear	1	1	1	1	1
12	107713-01	Internal Gear	1	1	1	1	1
13	108626-01	Front Hand Guard	1	1	—	—	—
	106809-02		—	—	1	1	1
14	079089-02	Motor Housing	1	1	—	—	—
	079089-06		—	—	1	1	1
15	NPC-4C	Hex Nut	2	2	—	2	2
	108865-01		—	—	2	—	—
16	077115	Adjusting Plate Assembly	1	1	1	1	1
17	075887	Bearing Plate	1	1	1	1	1
18	079086-02	Oil Reservoir	1	1	1	1	1
19	097403-01	Pan-Head Screw	1	1	1	1	1
20A	076905	Pan-Head Shoulder Screw	1	1	1	1	1
20B	108120-01	E-Ring	1	1	1	1	1
21	076906	Flat-Head Tap Screw	2	2	2	2	2
22	107708-01	Pan-Head Tap Screw	10	10	10	10	10
23	077143	Sprocket Support	1	1	1	1	1
24	077525S	Lock-Off Switch	1	1	1	1	1
25	106810-01	Sprocket Cover	1	1	1	1	1
26	079963-02	Scabbard	1	1	1	1	1
27	111218-01	2 Piece Side Cover Kit (minus screws)	1	1	1	1	1

Type LNT-2 & LNT-3

For RPS96 Pole Saw

KEY NO.	PART NO.	DESCRIPTION	QTY
1	104302-01S	Guide Bar 8"	1
2	104301S	Saw Chain 8"	1
	091371S	Saw Chain	—
	091373-02S	Saw Chain	—
3	099251-01	Armature Assembly	1
	107481-01	Armature Assembly	—
4	075676	Sprocket Roller Bearing	1
5	076744	Hex-Head Bolt	2
6	107512-01	Cap & Bulb Assembly	1
7	099829-01	Cord	1
8	077399-02	Side Cover, Black	1
9	076105	Thrust Disk	1
10	099252-01	Field & Brush Assembly	1
	107482-01	Field & Brush Assembly	—
11	059606	Drive Gear	1
12	107713-01	Internal Gear	1
13	108626-01	Front Hand Guard	1
14	079089-02	Motor Housing, Black	1
15	NPC-4C	Hex Nut	2
16	077115	Adjusting Plate Assembly	1
17	075887	Bearing Plate	1
18	079086-02	Oil Reservoir	1
19	097403-01	Pan-Head Screw	1
†20A	076905	Pan-Head Shoulder Screw	†1
†20B	108120-01	E-Ring	†1
21	076906	Flat-Head Tap Screw	2
22	107708-01	Pan-Head Tap Screw	10
23	077143	Sprocket Support	1
24	077525S	Lock-Off Switch	1
25	106810-01	Sprocket Cover, Black	1
27	111218-01	2 Piece Side Cover Kit	1
PARTS AVAILABLE — NOT SHOWN			
	079417-03	Hex Wrench	1
	079882-01	Hardware Package Includes: 2 - NPC-4C Nuts, 2 - 076744 Bolts, 1 - 097403-01 Screw	—
<p>†IMPORTANT: Your chainsaw is assembled with EITHER part 20A OR part 20B depending on your chainsaw's design. See illustration on previous page to determine which saw design you have.</p>			

Type LNT-2

For RPS96 Pole Saw

KEY NO.	PART NO.	DESCRIPTION	QTY.		
			099178H	100089-06 100089-08	107709-01 076728K
1	097568 02S	Guide Bar, 12"	—	—	1
	097570 01S	Guide Bar, 14"	1	1	—
2	091373-02S	Saw Chain	—	—	1
	091374-02S	Saw Chain	1	1	—
3	107481-01	Armature Assembly	1	1	1
4	075676	Sprocket Roller Bearing	1	1	1
5	076744	Hex-Head Bolt	2	2	2
6	107512-01	Cap & Bulb Assembly	1	1	1
7	099829-01	Cord	1	1	1
8	077399-02	Side Cover, Black	—	1	—
9	076105	Thrust Disk	1	1	1
10	107482-01	Field & Brush Assembly	1	1	1
11	059606	Drive Gear	1	1	1
12	107713-01	Internal Gear	1	1	1
13	106809-01	Front Hand Guard	1	1	1
14	079089-02	Motor Housing, Black	1	1	1
15	NPC-4C	Hex Nut	2	2	2
16	077115	Adjusting Plate Assembly	1	1	1
17	075887	Bearing Plate	1	1	1
18	079086-02	Oil Reservoir	1	1	1
19	097403-01	Pan-Head Screw	1	1	1
†20A	076905	Pan-Head Shoulder Screw	†1	†1	†1
†20B	108120-01	E-Ring	†1	†1	†1
21	076906	Flat-Head Tap Screw	2	2	2
22	107708-01	Pan-Head Tap Screw	10	10	10
23	077143	Sprocket Support	1	1	1
24	077525S	Lock-Off Switch	1	1	1
25	106810-01	Sprocket Cover, Black	1	1	1
26	079963-02	Scabbard	—	—	1
	079963-04	Scabbard	1	1	—
27	11218-01	2 Piece Side Cover Kit	1	1	1

†IMPORTANT: Your chainsaw is assembled with EITHER part 20A OR part 20B depending on your chainsaw's design. See illustration on previous page to determine which saw design you have.

Type LNT-2

For RPS96 Pole Saw

KEY NO.	PART NO.	DESCRIPTION	QTY
1	104302-01S	Guide Bar 8"	1
2	104301S	Saw Chain 8"	1
3	075836	Armature	1
4	075676	Sprocket Roller Bearing	1
5	076744	Hex-Head Bolt	2
6	079084-02	Oil Reservoir Cap	1
7	099829-01	Cord	1
8	111218-01	Side Cover Kit	1
9	076105	Thrust Disc	1
10	075837	Field	1
10-1	076647	Bearing & Brush Holder	1
11	059606	Metal Drive Gear	1
12	075752	Chain Drive Sprocket	1
13	108626-01	Front Hand Guard	1
14	079089-02	Motor Housing	1
15	NPC-4C	Hex Nut	2
16	077115	Adjusting Plate	1
17	075887	Bearing Plate	1
17-1	075499	Roller Bearing	1
18	079086-02	Oil Reservoir	1
19	059045	Pan-Head tap screw	1
20	076905	Pan-Head shoulder screw	1
21	076906	Flat-Head tap screw	2
22	059046	Pan-Head tap screw	10
23	077143	Sprocket Support	1
24	077525S	Lock-Off Switch	1
27	111218-01	Side Cover Kit	1
PARTS AVAILABLE — NOT SHOWN			
	079417-03	Hex Wrench	
	079882-01	Hardware Package	
	079963-02	Scabbard	