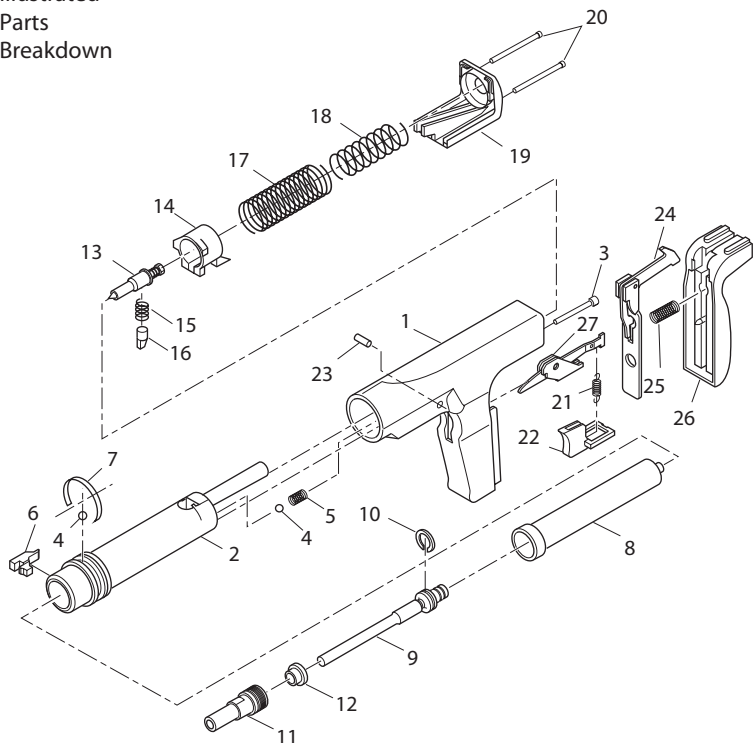


# Remington Model 496 Powder Actuated Tool

114917

Illustrated  
Parts  
Breakdown



Key No.	Part No.	Description	Qty.
1	50200 1	Housing	1
2	50210 0	Outer Liner Assembly	1
3	50110 4	Push Pin	1
4	30101 3	Ball Setter	2
5	50110 6	Spring Ball Set	1
6	50110 7	Key Stop	1
7	30101 4	Annular Spring	1
8	50220 0	Barrel	1
9	50220 2	Piston Assembly (Includes Ring)	1
10	50121 2	Ring	1
11	50221 5	3" Muzzle Cap	1
12	TA408 6	Plastic Buffer (5 pack)	
13	50130 0	Firing Pin Assembly (Includes Pin, Spring, Nut, Washer )	1
14	50131 7	Firing Pin Guide	1

Key No.	Part No.	Description	Qty.
14	501317	Firing Pin Guide	1
15	301047	Spring	1
16	501319	Seal	1
17	501320	Spring	1
18	501321	Safety Spring	1
19	501422	Rear Pad	1
20	501423	Bolt	2
21	301531	Advance Spring	1
22	301533	Trigger	1
23	501526	Trigger Pin	1
24	502600	Rocker Arm Assembly (Includes Rocker Arm, Rocker Arm Pin, and Rocker Arm Holder )	1
25	501733	Rocker Arm Spring	1
26	501700	Handle Pad Assembly	1
27	501500	Advance Assembly (Holder, Bar, Tube)	1

## ACCESSORIES

Part No.	Description	Qty.
101320-02	Spall Shield	1
056486	Brush	1
501801	Hex Wrench, 3mm	1