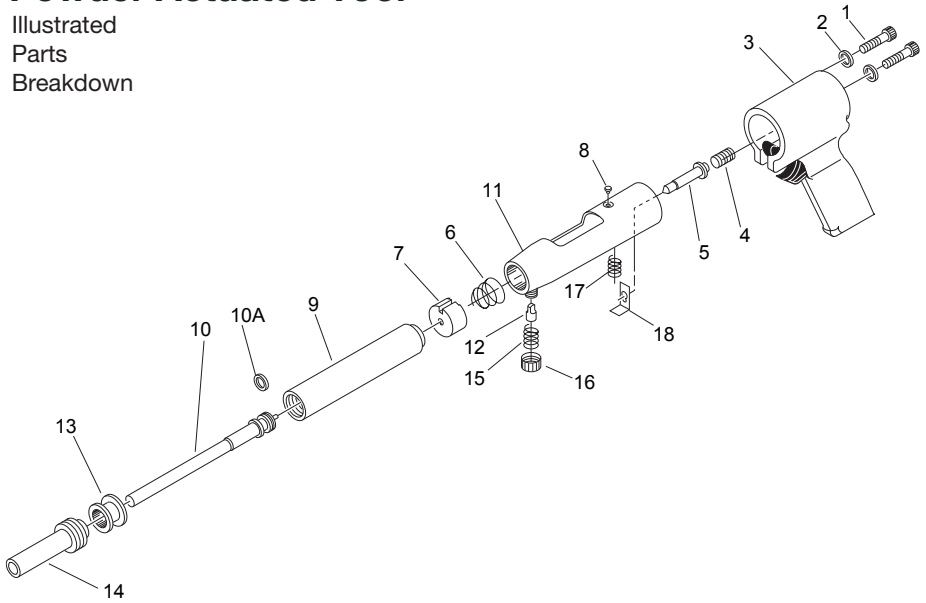


# Remington Model 494

## Powder Actuated Tool

101916

Illustrated  
Parts  
Breakdown



| KEY NO. | PART NO.   | DESCRIPTION                | QTY. |
|---------|------------|----------------------------|------|
| 1       | 101123-01  | Screw, 1/4"-20 x 1.25      | 2    |
| 2       | 101122-01  | Washer                     | 2    |
| 3       | 101128-01  | Handle & Trigger Assembly  | 1    |
| 4       | 056217     | Firing Pin Spring          | 1    |
| 5       | 075370     | Firing Pin                 | 1    |
| 6       | 101148-01  | Breech Spring              | 1    |
| 7       | 100858-01  | Breech                     | 1    |
| 8       | 101124-01  | Stop Pin                   | 1    |
| 9       | 101127-01  | Barrel and Insert Assembly | 1    |
| 10      | TA4084     | Piston and Ring Assembly   | 1    |
| 10A     | 101439-01  | Piston Ring                | 1    |
| 11      | 100856-01S | Receiver Assembly          | 1    |
| 12      | 100864-01  | Tang                       | 1    |
| 13      | TA4083     | Buffer (5 Pack)            | 1    |
| 14      | 100857-01S | Muzzle Cap                 | 1    |
| 15      | 101147-01  | Tang Spring                | 1    |
| 16      | 100862-01  | Tang Cap                   | 1    |
| 17      | 056218     | Sear Spring                | 1    |
| 18      | 076657     | Sear                       | 1    |

| PART NO.  | DESCRIPTION       |
|-----------|-------------------|
| 101320-02 | Spall Shield      |
| 101849-01 | Goggles           |
| 056485    | Brush, 1/4"       |
| 056486    | Brush, 5/8"       |
| 103754    | Hex Wrench, 3/16" |