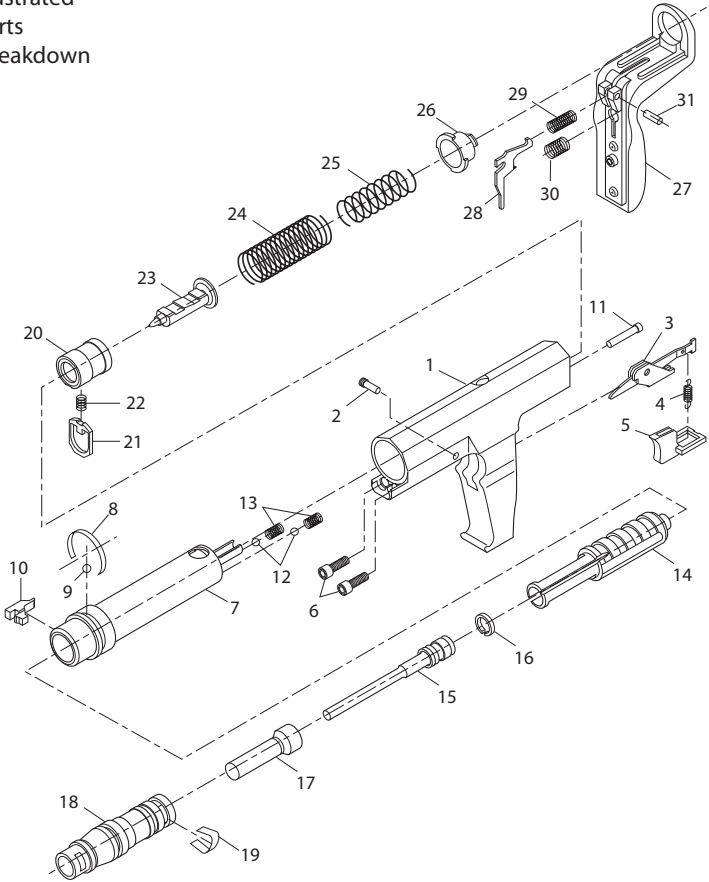


# Remington Model 491, 493 and 498

## Powder Actuated Tool

114915

Illustrated  
Parts  
Breakdown



Key No.	Part No.	Description	491	493	498
1	301002	Body	1	1	
	306001	Body			1
2	301034	Trigger Pin	1	1	1
3	301906	Advance Assembly (Holder, Bar, Tube)	1	1	1
4	301531	Advance Spring	1	1	1
5	301533	Trigger	1	1	1
6	301015	Screw	2	2	
	306015	Screw			2
7	305100	Liner	1	1	
	306100	Liner			1
	301100	Liner	1		
8	301014	Annular Spring	1	1	
	306014	Annular Spring			1
9	301013	Ball Bearing	1	1	1
10	501107	Stop	1	1	
	306012	Stop			1
11	301016	Push Pin	1	1	1

Key No.	Part No.	Description	491	493	498
11	30101 6	Push Pin	1	1	1
12	30104 6	Ball Bearing	2	2	2
13	30104 7	Spring	2	2	2
14	30500 6	Piston Sleeve		1	
	30600 6	Piston Sleeve			1
	30100 6	Piston Sleeve	1		
15	30591 3	Piston Assembly (Includes Piston and Ring)		1	
	30690 3	Piston Assembly (Includes Piston and Ring)			1
	301903	Piston Assembly (Includes Piston and Ring)	1		
16	30120 8	Piston Ring	1	1	1
17	30501 0	Guide		1	
	30601 0	Guide			1
	30101 0	Guide	1		
18	30500 9	Base Plate		1	
	30600 9	Base Plate			1
	30100 9	Base Plate	1		
19	30101 1	Shear Clip	1	1	1
20	30130 0	Sear Holder	1	1	1
21	30102 3	Sear	1	1	1
22	30102 4	Sear Spring	1	1	1
23	30190 4	Firing Pin Assembly	1	1	1
24	30102 6	Sear Holder Spring	1	1	1
25	30102 5	Firing Pin Spring	1	1	1
26	30102 8	Plug	1	1	1
27	30160 1	Rubber Pad	1	1	1
28	30184 4	Rocker Arm	1	1	1
29	30184 0	Spring	1	1	1
30	30184 3	Spring	1	1	1
31	30184 5	Rocker Arm Pin	1	1	1