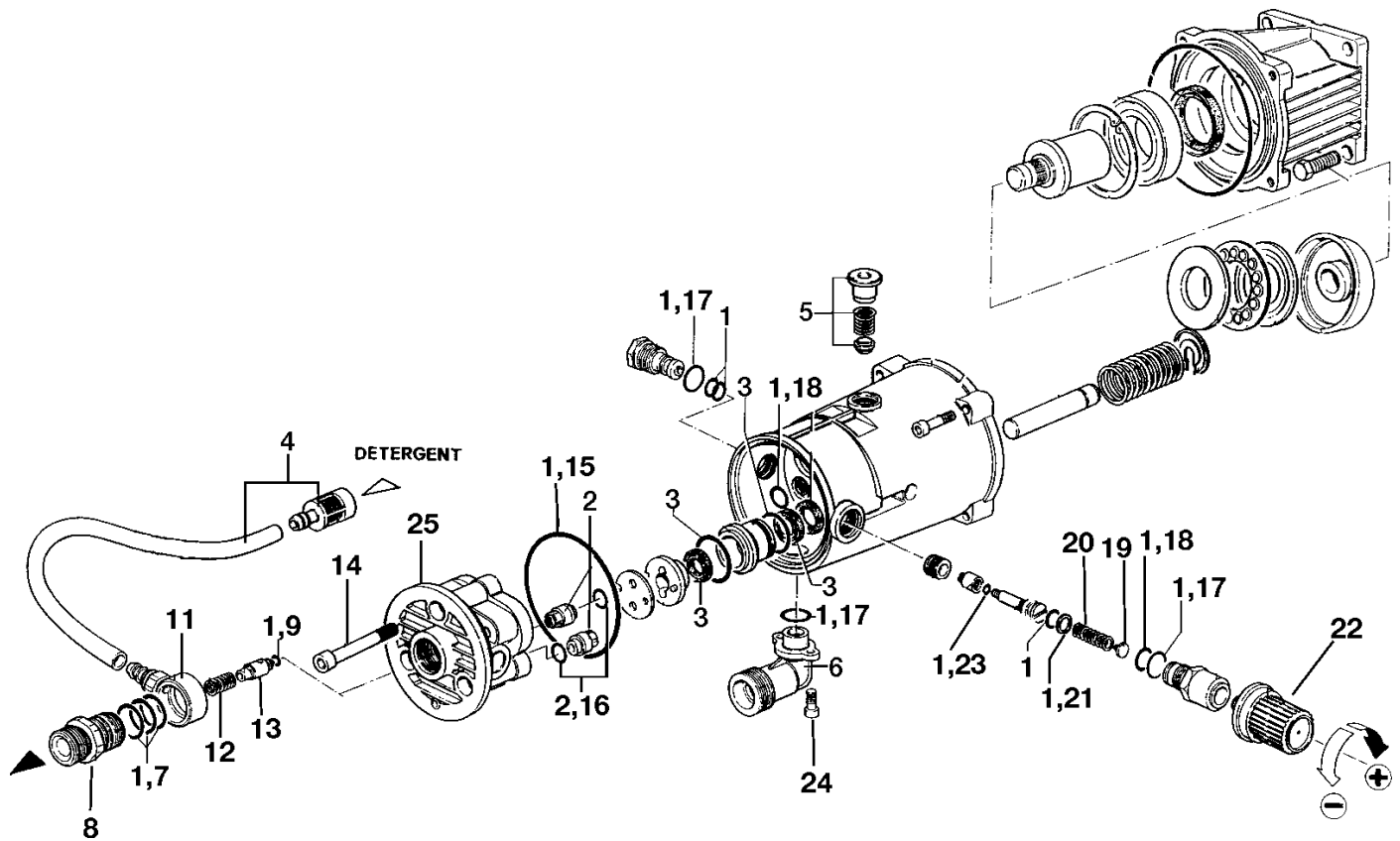


MODEL: Annovi Reverberi PKXB812



To order call M&S Service Co. Inc. 800-475-5660

MODEL: Annovi Reverberi PKXB812

<u>Key#</u>	<u>Part #</u>	<u>Description</u>
1	AR-2043	Oil Seal Kit
2	AR-1880	Valve Kit
3	AR-2044	Water Seal Kit
4	H140	Detergent Hose
5	AR-1461410	Valve, Air Breather
6	AR-1460090	Inlet , Garden Hose
7	AR-770570	O-ring
8	AR-1461880	Adapter, 22mm
9	AR-1460430	O-ring
11	AR-1469040	Detergent Fitting
12	AR-1341890	Spring
13	AR-1460260	Kickback Valve
14	AR-800860	Screw 8x55
15	AR-1040060	O-ring
16	AR-800560	O-ring
17	AR-740290	O-ring
18	AR-820510	O-ring
19	AR-1460200	Striker Spring Plate
20	AR-1460190	Regulator Knob Spring
21	AR-1080401	O-Ring
22	15577	Regulator Knob
23	AR-1080190	O-ring
24	AR-480623	Inlet Fitting Screw
25	AR-1469400	Pump Head

General Information:

- 30w non detergent – 6 oz.
- Garden hose connector H122 connects to Key #6

MODEL: Annovi Reverberi PKXB812**AR-2043 Oil Seal Kit****AR-1880 Valve Kit****AR-2044 Water Seal Kit**