



# PK16937 2DX30G - PUMP, CAT PARTS LIST

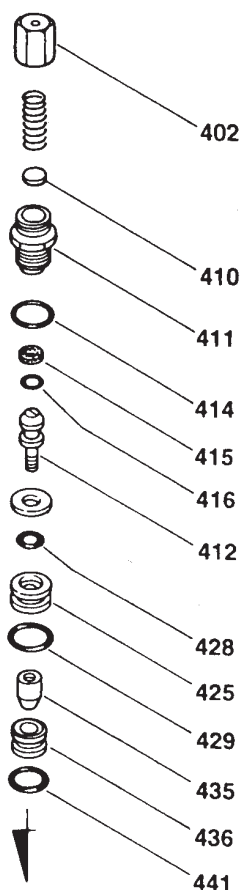
<u>Key#</u>	<u>Part #</u>	<u>Description</u>
1	V160	Seal Kit
2	16795	Valve Kit
3	15905	Hex Head Screw
4	15904	Bearing Case
5	15789	Bearing Case O-ring
6	15496	Oil Seal
7	16108	Connecting Rod
8	P260	Oil filler Cap O-ring
9	P265	Bubble Oil Gauge
10	15977	Flat Flex Gasket
11	15474	Drain Plug
12	P186	Drain Plug O-ring
13	V178	Plunger Rod Pin
14	V155	Oil Seal
15	V156	Seal Retainer
16	V157	Lo-Pressure Seal
17	V158	Seal Case
18	V153	Seal Case O-ring
19	H060	Garden Hose Connector
20	H061	Swivel Nut
21	F187	Filter Screen
22	* V180	Chemical Injector
23	P186	O-Ring
24	CA542403	Plunger

## General Information:

- 30w non-detergent – 8.5 oz.
- Pump kit replaces 15970-2Dx30G and contains: 15970 pump, H140 Chemical Hose, 16848 thermal relief, F035 quick connect, 17034 Tee, street, 3/8, 15892 adapter plate, P448 Key, 15167 Screw, 5/16-24 x 3/4, F078Washer, Lock, 16106 Screw 3/8-16 x 1 3/8 , F107 Washer Lock 3/8

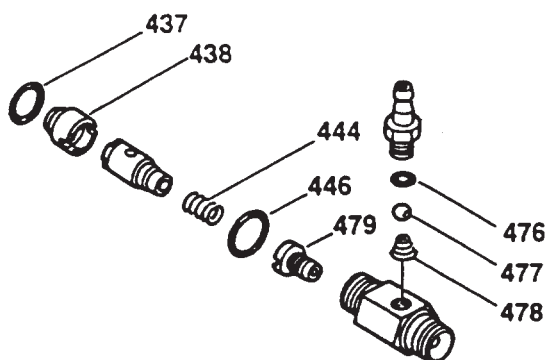
\* Could be V146

# PK16937 2DX30G - PUMP, CAT UNLOADER



Key#	Part #	Description
402	P726	Adjusting Cap
410	15656	Spring Retainer
411	15484	Piston Retainer
412	15488	Piston Stem
414	P593	Piston Retainer O-ring
416	P755	Piston Stem O-ring
425	15485	Valve
436	V177	Valve Seat
441	P599	Valve Seat
435	15655	Valve Seat O-Ring

V179 - O-Ring Kit  
(contains key #'s 414-416, 428,429,437)



Key#	Part #	Description
437	15658	Valve Seat O-Ring
438	V148	Valve Seat
444	V171	Flow Balancer Spring
446	P593	Adapter O-Ring
476	V151	Injector Valve O-Ring
477	V152	Ball
478	V172	Injector Valve Spring
479	V173	Orifice

