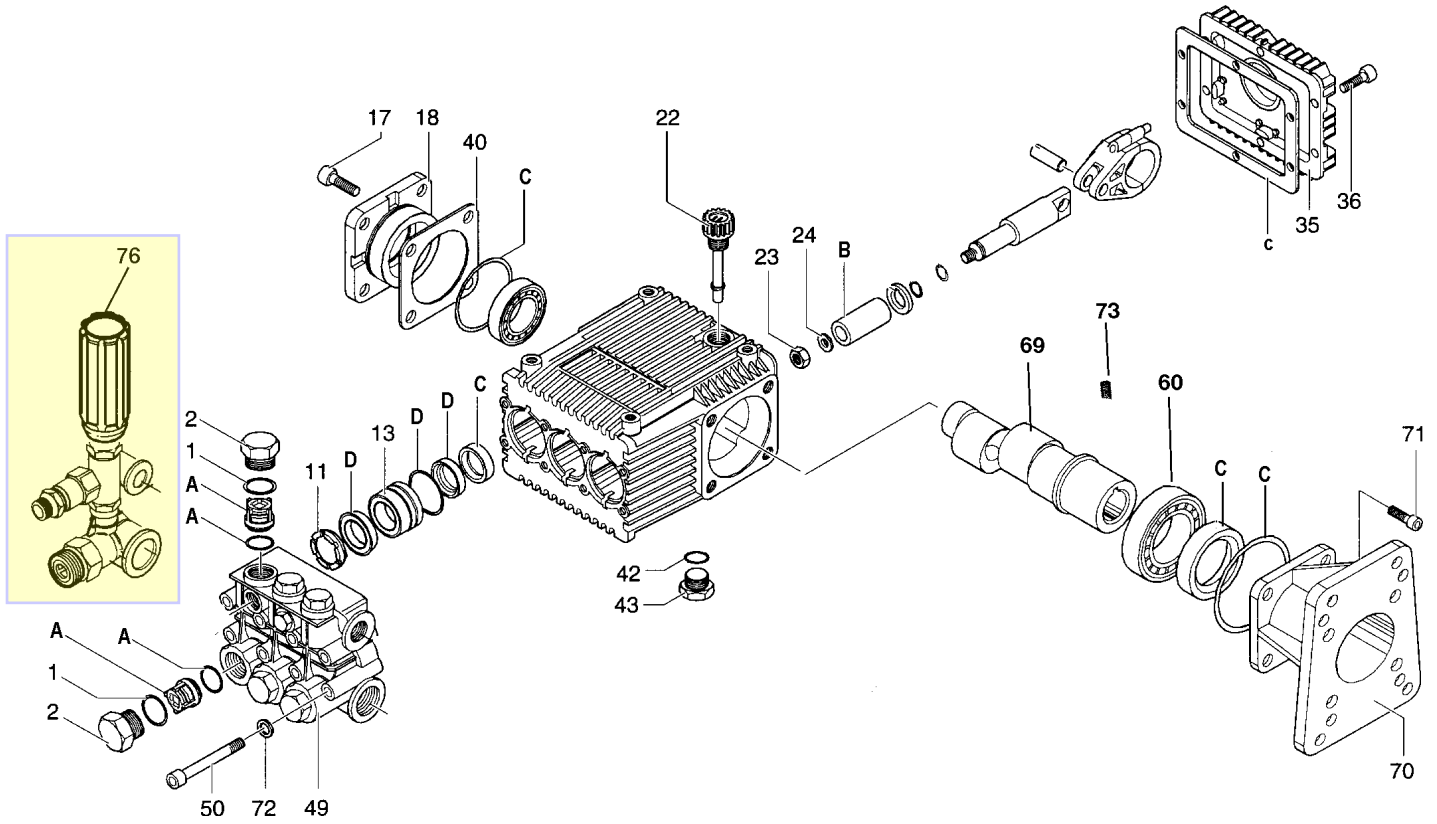


# PK16855 - XRV4G32D - PUMP, AR



# PK16855 - XRV4G32D - AR PARTS LIST

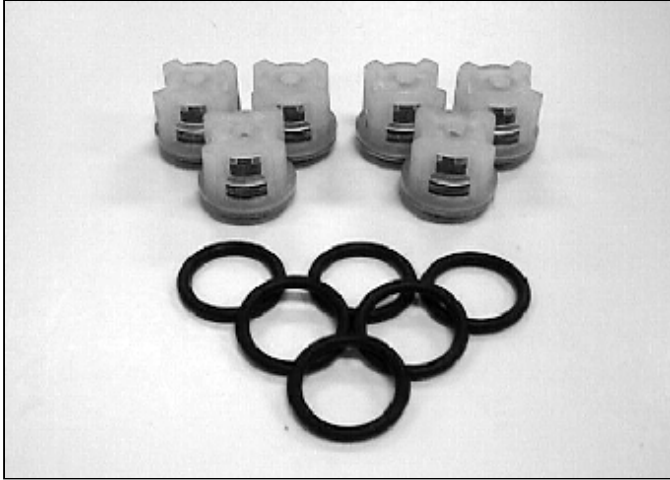
<u>Key #</u>	<u>Part #</u>	<u>Description</u>
1	AR-960160	O-ring
2	AR-960090	Plug
11	AR-960110	Support Ring
13	AR-1380090	Piston Guide
17	AR-850370	Screw
18	AR-1380050	Bearing Support
22	AR-880130	Oil Cap
20	AR-840370	Bearing
23	AR-962010	Nut
24	AR-962000	Washer
26	AR-960460	Spacer
27	AR-880840	O-Ring
28	AR-1380070	Guarding Piston
29	AR-1380060	Piston Pin
30	AR-1380440	Connection Rod (aluminum)
	AR-1380290	Connection Rod (bronze)
31	AR-1260430	Snap Ring
32	AR-1260250	Oil Indicator
33	AR-1140450	O-Ring
35	AR-1389010	Complete Cover - One bolt hole on top and bottom — two bolt holes on left and right
	AR-1789010	Complete Cover - One bolt hole on left and right — two bolt holes on top and bottom
36	AR-1381680	Screw
40	AR-1380120	.10 mm Shim
	AR-1380130	.20 mm Shim
	AR-1380530	.25 mm Shim
	AR-1382810	.05 mm Shim
42	AR-740290	O-ring
43	AR-880530	Plug
49	AR-1381071	Pump Head
50	AR-820150	Screw
60	AR-1380320	Bearing
69	AR-1380590	Hollow Shaft
70	AR-1380550	Engine Flange
71	AR-180030	Screw
72	AR-1381850	Washer
73	AR-820440	Grub Screw
<b>76</b>	<b>AR-20242</b>	<b>Unloader</b>
A	AR-1828	Valve Kit
B	AR-1842	Plunger Kit
C	AR-1856	Oil Seal Kit
D	AR-1857	Water Seal Kit

### **General Information:**

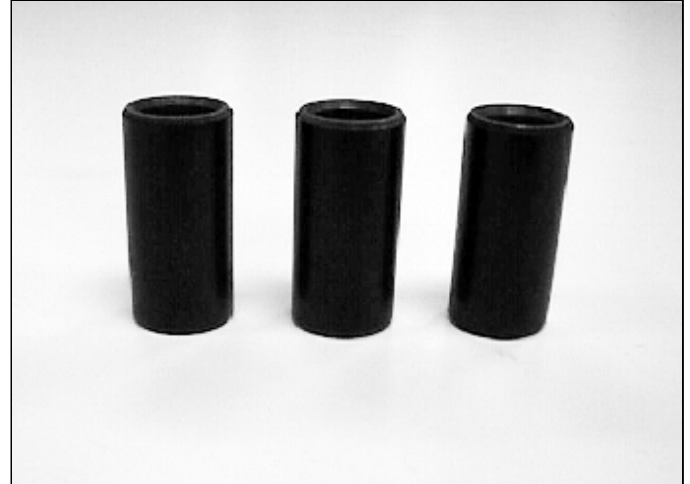
- 30W non-detergent oil, 18.54 oz.
- Fill to the middle of sight glass
- Uses the 15124 chemical injector
- Replacement part for 16855, PKXRV4G32D & PXR4G32D- kit contains: 16855 (XRV4G32D) pump, 16506 thermal relief valve, 16776 easy start valve, 17098 in-line filter, 15913 hose, S065 clamp, 15124 chemical injector, H100 chemical hose, F035 quick connect, M036 key, F107 lock washer, 3/8" (qty 4-pump to engine), 15282 screw 3/8-16 (qty 4-pump to engine)

# PK16855 - XRV4G32D - AR REPAIR KIT

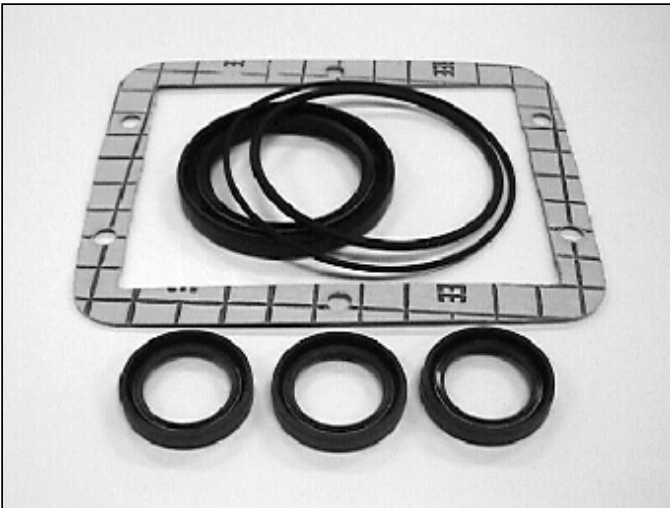
**AR-1828 Valve Kit**



**AR-1842 Plunger Kit**



**AR-1856 Oil Seal Kit**



**AR-1857 Water Seal Kit**

