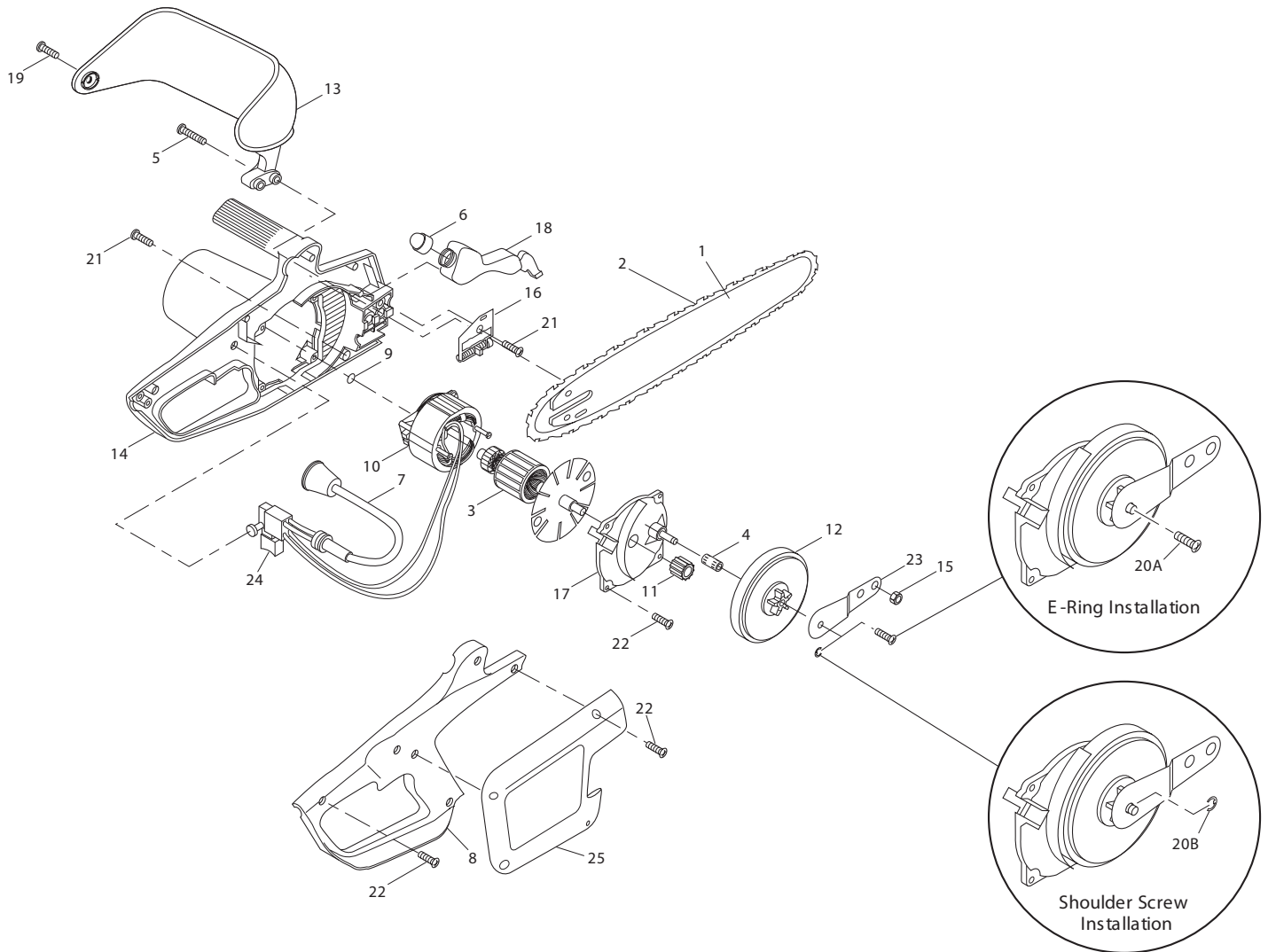


REMINGTON® ELECTRIC CHAIN SAW Illustrated Parts List

Type LNT-2 AND LNT-3
Models: 104634, 104316-05, 075703L, 075705J



REMINGTON®

ELECTRIC CHAIN SAW

Illustrated Parts List

Type LNT- 2 AND LNT- 3

Models: 104634, 104316-05, 075703L, 075705J

KEY NO.	PART NO.	DESCRIPTION	QTY.		
			8" 104634 104316-05	10" 075703 L	12" 075705J
1	104302-01S	Guide Bar, 8" Narrow	1	—	—
	097567-01S	Guide Bar, 10"	—	1	—
	097568-02S	Guide Bar, 12" Narrow	—	—	1
2	104301S	Saw Chain	1	—	—
	091371S	Saw Chain	—	1	—
	091373-02S	Saw Chain	—	—	1
3	099251-01	Armature Assembly	1	—	—
	107481-01	Armature Assembly	—	1	1
4	075676	Sprocket Roller Bearing	1	1	1
5	076744	Hex-Head Bolt	2	2	2
6	107512-01	Cap & Bulb Assembly	1	1	1
7	099829-01	Cord	1	1	1
8	077399-02	Side Cover, Black	1	1	1
9	076105	Thrust Disk	1	1	1
10	099252-01	Field & Brush Assembly	1	—	—
	107482-01	Field & Brush Assembly	—	1	1
11	059606	Drive Gear	1	1	1
12	107713-01	Internal Gear	1	1	1
13	108626-01	Front Hand Guar	1	1	1
14	079089-02	Motor Housing, Bdlack	1	1	1
15	NPC-4 C	Hex Nut	2	2	2
16	077115	Adjusting Plate Assembly	1	1	1
17	075887	Bearing Plate	1	1	1
18	079086-02	Oil Reservoir	1	1	1
19	097403-01	Pan-Head Screw	1	1	1
†20 A	076905	Pan-Head Shoulder Screw	†1	†1	†1
†20 B	108120-01	E-Ring	†1	†1	†1
21	076906	Flat-Head Tap Screw	2	2	2
22	107708-01	Pan-Head Tap Screw	10	10	10
23	077143	Sprocket Support	1	1	1
24	077525S	Lock-Off Switch	1	1	1
25	106810-01	Sprocket Cover, Black	1	1	1
PARTS AVAILABLE — NOT SHOWN					
	079417-03	Hex Wrench	1	1	1
	079882-01	Hardware Package Includes: 2 - NPC-4C Nuts, 2 - 076744 Bolts, 1 - 097403-01 Screw	—	1	1
<p>†IMPORTANT: Your chainsaw is assembled with EITHER part 20A OR part 20B depending on your chainsaw's design. See illustration on previous page to determine which saw design you have.</p>					