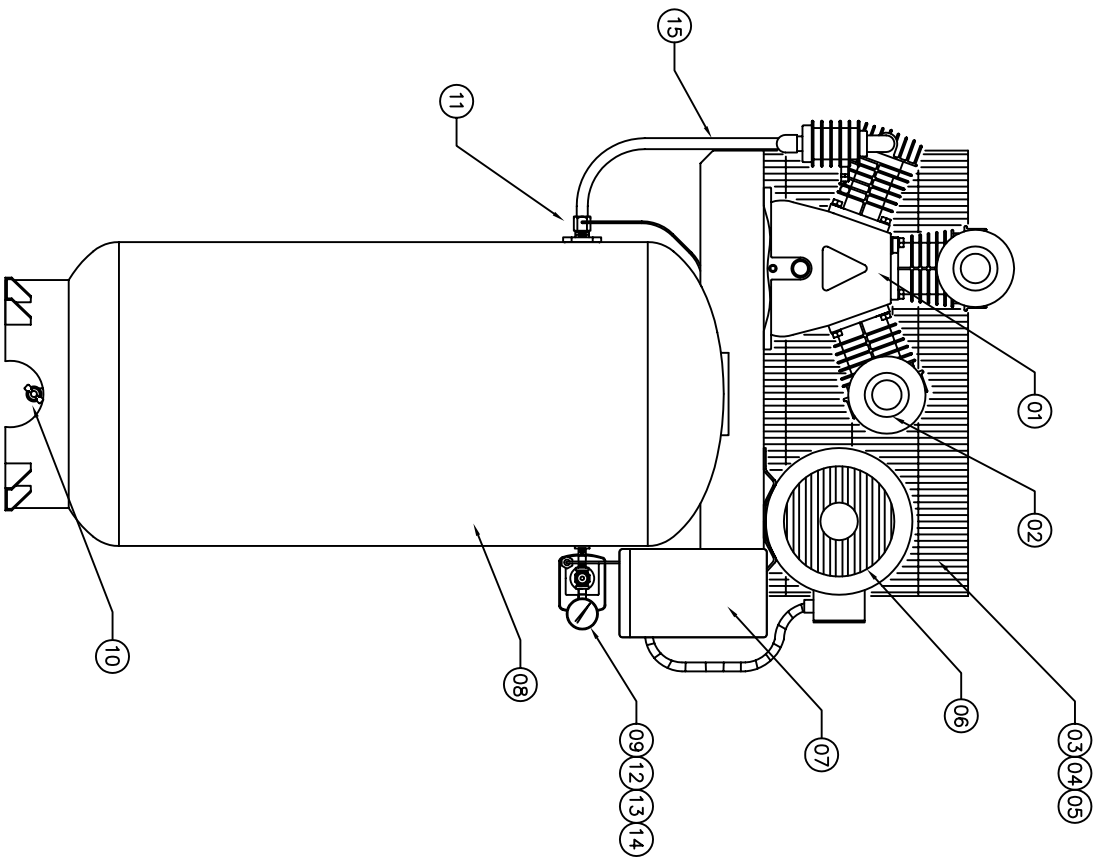


REV.	DATE	REVISION DESCRIPTION	PCN NO.
008F05	NEW		05-04
A	02OCT09	PRESSURE SWITCH MANIFOLD RELOCATED	09-028
B	08FEB'11	MANIFOLD ORIENTATION	---



ITEM	PART NUMBER	QTY	DESCRIPTION
01	DEV-55	1	PUMP ASSEMBLY
02	PB-211775003	2	INTAKE FILTER ASSEMBLY
	PB-21177010	2	INTAKE FILTER ELEMENT
03	EG-9494	1	BELT GUARD ASSEMBLY
04	PU-9234	1	MOTOR PULLEY (8.0 OD, 1 1/8" BORE, 2A)
05	BT-99	2	DRIVE BELT (A68)
06	MO-9025	1	MOTOR 230-60-1
	MO-6407	1	MOTOR 200/208-60-3
	MO-6435	1	MOTOR 230-60-3
	MO-6435	1	MOTOR 460-60-3
	MO-6414	1	MOTOR 575-60-3
07	MS-140-03	1	STARTER 230-60-1
	MS-340-43	1	STARTER 200/208-60-3
	MS-340-43	1	STARTER 230-60-3
	MS-340-45	1	STARTER 460-60-3
	MS-340-69	1	STARTER 575-60-3
08	TA-9501	1	TANK - 80 GALLON VERT.
09	VA-9705	1	BALL VALVE
10	SS-2727	1	DRAIN VALVE
11	CCV-9406	1	CHECK VALVE
12	SSS-9003U115150	1	PRESSURE SWITCH
13	GA-250	1	PRESSURE GAUGE
14	TIA-5200	1	SAFETY VALVE 200 PSI
15	CT-9747	1	AFTERCoolER TUBE

IMPORTANT NOTE: This print is the confidential property of DV SYSTEMS, INC. It is not to be used or reproduced in any manner, nor submitted to other parties for examination without the prior approval of DV SYSTEMS, INC. DV SYSTEMS, INC. is continually trying to improve its products, specifications subject to change without notice.

FRACTIONAL DIMENSIONS: 1/16, 1/32
 DECIMAL DIMENSION: 1.005
 ANGLES: 1/2
 *UNLESS OTHERWISE SPECIFIED



NAME OF PROJECT		DESCRIPTION OF DRAWING	
5 HP INDUSTRIAL STANDARD UNIT C/W 'DEV-55' PUMP		COMPRESSOR OUTFIT	
DRAWN BY	CHECKED BY	DATE	SCALE
WALDM		09FEB05	N.T.S.
		DRAWING NO.	SHT NO/REV
		ISS-5580	B