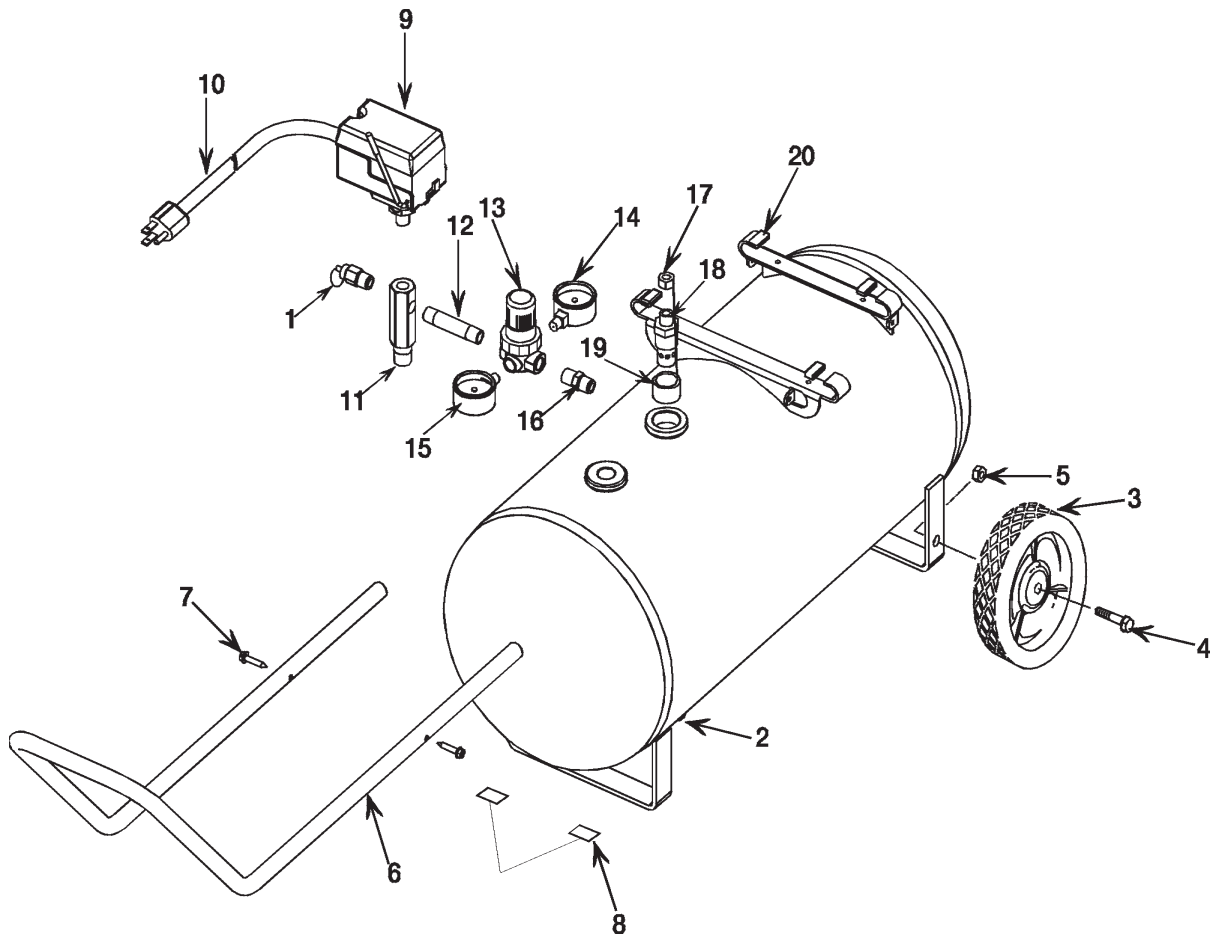


IRSFAC28



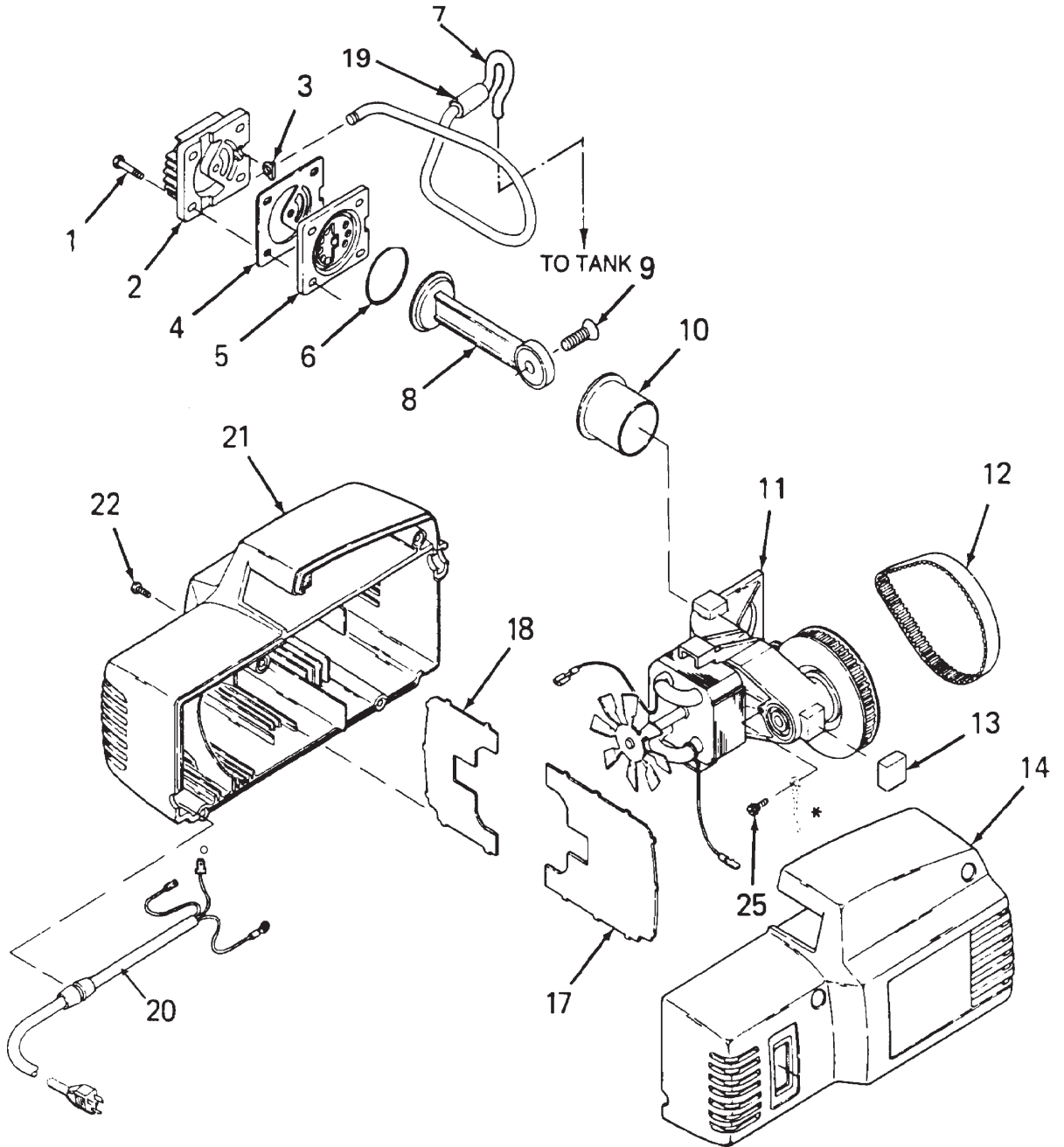
FAC28

FAC28-1 (cont'd)

KEY NO.	PART NUMBER	DESCRIPTION
1	97503734	Safety Valve
2	SS-2707	Drain Valve
3	CAC-4299	Wheel 6" (2 used)
4	CAC-60	Shoulder Bolt (2 used)
5	SSF-8080-ZN	Nut Hex 3/8-16 UNC-2B (2 used)
6	AC-0345	Handle
7	SSF-612	Screw #10 - 16 x 1 Type AB (2 used)
8	AC-0364	Molded Foot Bumper (2 used)
9	AC-0353-1	Pressure Switch
10	SUDL-413-2	Cord Assembly
11	AC-0027-2	Manifold
12	SSP-480	Nipple 1/4 - 18 NPT x 2.50
13	AC-0007	Regulator
14	AC-0009-1	Gauge - Right Hand
15	AC-0010-1	Gauge - Left Hand
16	H-2101	Adaptor
17	SSP-473	Nut Sleeve
18	D24879	Check Valve
19	SSP-490-1	Face Bushing
20	CAC-1254	Isolator (4 used)

FAC28

FAC28-1 (cont'd)



FAC28

FAC28-1 (cont'd)

KEY	NO.	PART NUMBER	DESCRIPTION
X	1	SSF-995	Screw #10-24 x 7/8 LG. hex head thd forming (4 used)
	2	CAC-1196	Cylinder head
*	3	CAC-1212	Tube seal
*	4	CAC-1199	Head gasket
	5	CAC-4323	Valve plate assembly
*	6	SSG-8169	"O" ring
	7	DAC-269	Outlet tube
●	8	-----	Rod assembly
	9	SSF-3147	Screw 3/8-16 x 1.25 LG. hex socket flat head
●	10	-----	Cylinder sleeve
	11	N/A	Endbell assembly
	12	CAC-1342	Timing belt
*	13	CAC-1213	Pump isolator
	14	AC-0470	Shroud (right)
	---	-----	-----
*	16	CAC-1254	Housing isolator
+	17	-----	Motor baffle (right)
+	18	-----	Motor baffle (left)
	19	AC-0206	Isolator (tube)
	20	AC-0354	Cord assembly
	21	AC-0471	Shroud (left)
X	22	SSF-3156	Screw #10-9 x 1/2 LG. Phillips head thd forming (4 used)
X	25	SUDL-9-1	Screws, ground #8-32 x 3/8 LG. Slotted hex head, thd forming

NOT ILLUSTRATED

MGP-FAC28-1 Owners Manual

- * KK-4930 Isolator Kit includes items 3, 4, 6, 13, 16.
- X KK-4929 Fastener Kit includes items 1, 9, 22, 25.
- + KK-4980 Baffle Kit includes items, 17, 18.
- KK-4964 Connecting Rod Kit includes items 8, 10.