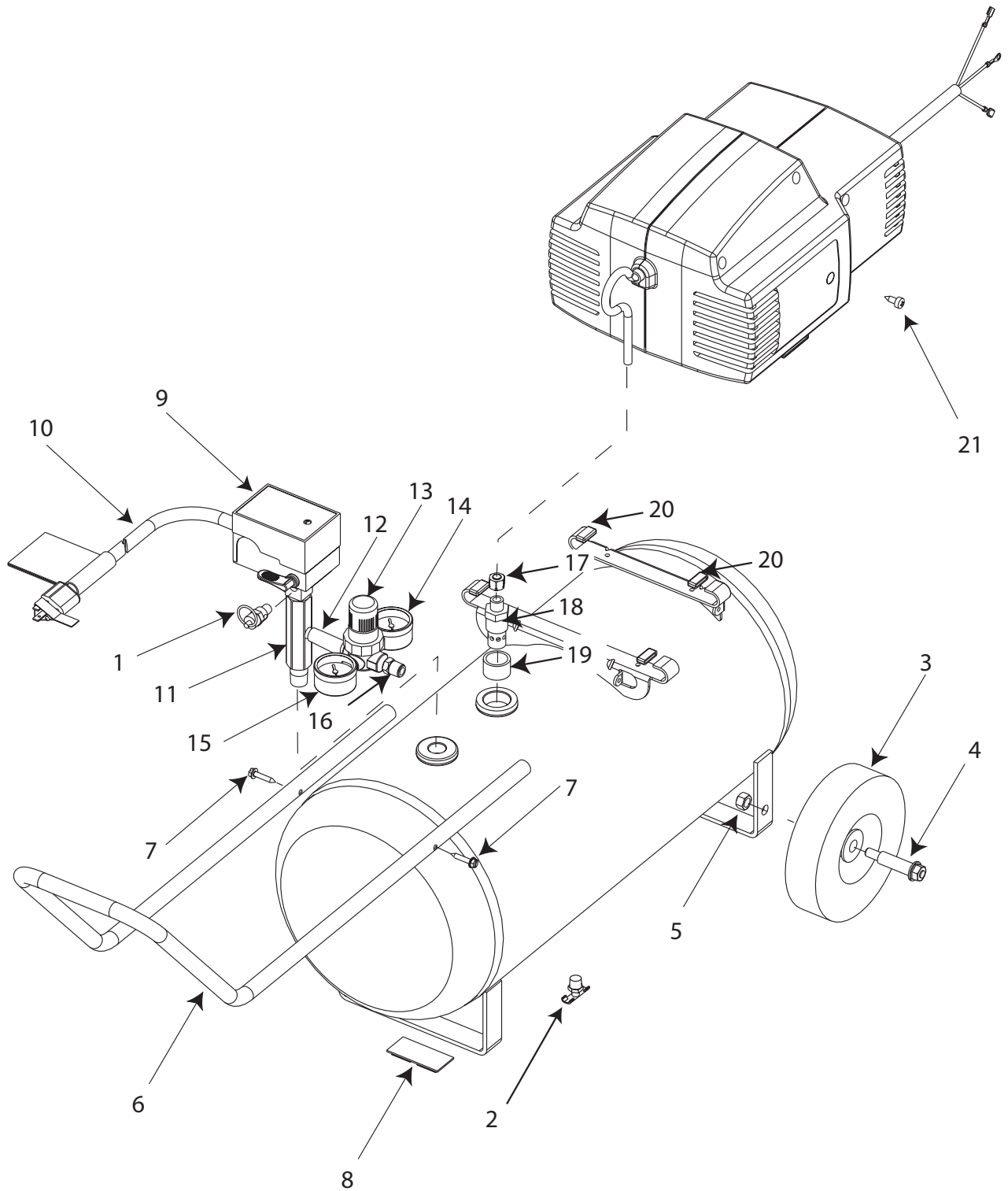


IRSFAC28-2



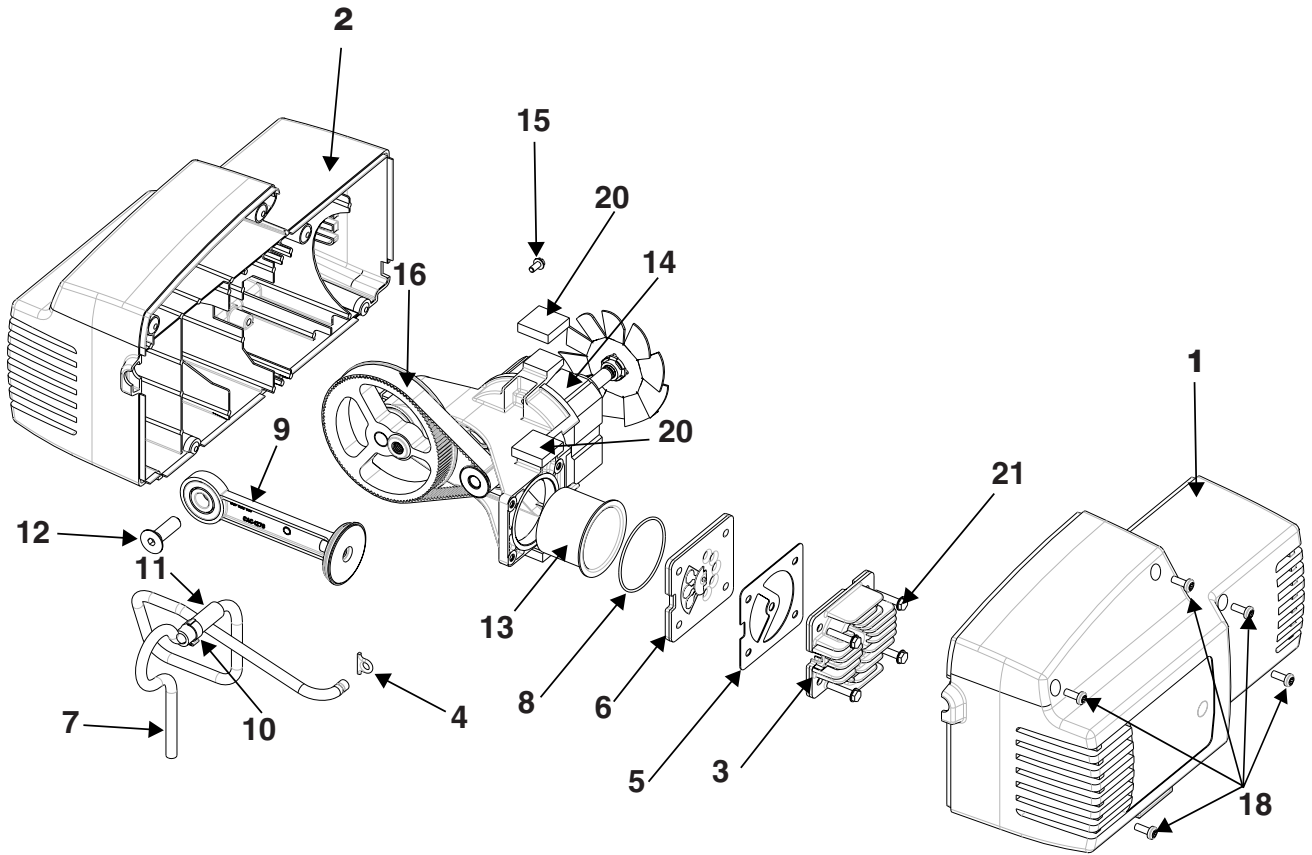
FAC28-2

FAC28S1-2 (cont'd)

KEY NO.	PART NUMBER	DESCRIPTION
1	97503734	Safety Valve
2	SS-2707	Drain Valve
3	CAC-4299	Wheel 6" (2 used)
4	CAC-60	Shoulder Bolt (2 used)
5	SSF-8080-ZN	Nut Hex 3/8-16 UNC-2B (2 used)
6	AC-0345	Handle
7	SSF-612	Screw #10 - 16 x 1 Type AB (2 used)
8	AC-0364	Molded Foot Bumper
9	AC-0353-1	Pressure Switch
10	SUDL-413-2	Cord Assembly
11	AC-0027-2	Manifold
12	SSP-480	Nipple 1/4 - 18 NPT x 2.50
13	AC-0007	Regulator
14	AC-0009-1	Gauge - Right Hand
15	AC-0010-1	Gauge - Left Hand
16	H-2101	Adaptor
17	SSP-473	Nut Sleeve
18	D24879	Check Valve
19	SSP-490-1	Face Bushing
20	CAC-1254	Isolator (4 used)
21	SSF-621	Screw, 1/4-14 x .625 (2 used)

FAC28-2

FAC28S1-2 (cont'd)



FAC28-2

FAC28S1-2 (cont'd)

Key No.	Part Number	Description
1	AC-0470	Shroud, Right
2	AC-0471	Shroud, Left
3	CAC-1196	Cylinder Head
4	* CAC-1212	Tube Seal
5	* CAC-1199	Gasket Head
6	CAC-4323	Valve Plate Assembly
7	DAC-269	Outlet Tube
8	* SSG-8169	O-ring
9	+ - - - - -	Rod Assembly
10	CAC-1206-1	Clamp
11	AC-0206	Tube Isolator
12	x SSF-3147	Screw, 3/8-16 socket head
13	+ - - - - -	Cylinder Sleeve
14	D23584	Endbell Assembly
15	x SUDL-9-1	Screw, 8-32x .375/.344
16	AC-0815	Timing Belt
18	SSF-3156	Screw, 10-9x.50Plastite
19	D20111	Motor Cord
20	* CAC-1213	Pump Isolator (5 used)
21	x SSF-995	Screw #10-24 x 7/8 (4 used)

- * KK-4930 – Isolator Kit includes 4,5,8,20
- + KK-4964 – Connecting Rod Kit includes 9,13
- x KK-4929 – Fastener Kit includes 12,15,21

NOT ILLUSTRATED

MGI-UMCCOMP-3 Owners Manual
 MP2-FAC28-2 Parts Manual