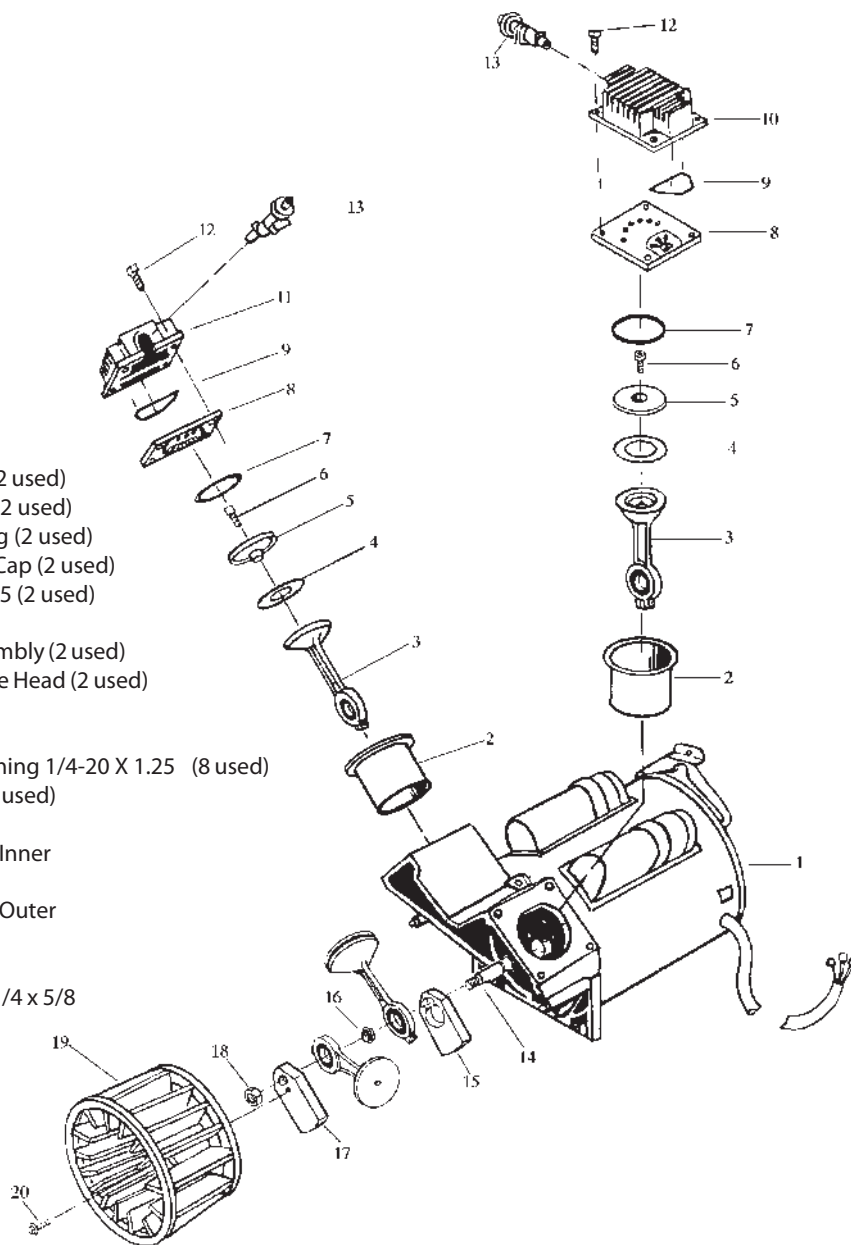


# IRFCTV630

KEY NO.	PART NUMBER	DESCRIPTION
1	MO-3024	Motor
+* 2	-----	Sleeve, Cylinder (2 used)
* 3	-----	Connecting Rod (2 used)
+* 4	-----	Compression Ring (2 used)
* 5	ACG-29	Connecting Rod Cap (2 used)
+* 6	SSF-3158-1	Screw, 10-24 x .75 (2 used)
+* 7	SSG-8156	O-ring (2 used)
8	AC-0032	Valve Plate Assembly (2 used)
+* 9	ACG-45	O-ring, Perm Lube Head (2 used)
10	AC-0037	Head, Right
11	AC-0038	Head, Left
12	SSF-927	Screw, THD Forming 1/4-20 X 1.25 (8 used)
13	ACG-11	Muffler, Intake (2 used)
14	ACG-8	Pin, Eccentric
15	ACG-6	Counter Balance, Inner
16	ACG-9	Washer
17	ACG-7	Counter Balance, Outer
18	ACG-23	Nut
19	ACG-22	Fan
20	39124607	Screw, Self Tap 1/4 x 5/8



## NOT SHOWN

MPL-AC-0102 Pump Manual

- \* Keys 2, 3, 4, 5, 6, 7 and 9 can only be purchased in Connecting Rod Kit KK-5081.
- + Keys 2, 4, 6, 7 and 9 can be purchased in Cylinder\Compression Ring Kit K-0058.

Key #	TORQUE
12	7 TO 10 FT. LBS.
18	85 TO 90 FT. LBS.
20	75 TO 90 IN. LBS.
* TORQUE WRENCH MUST BE USED	