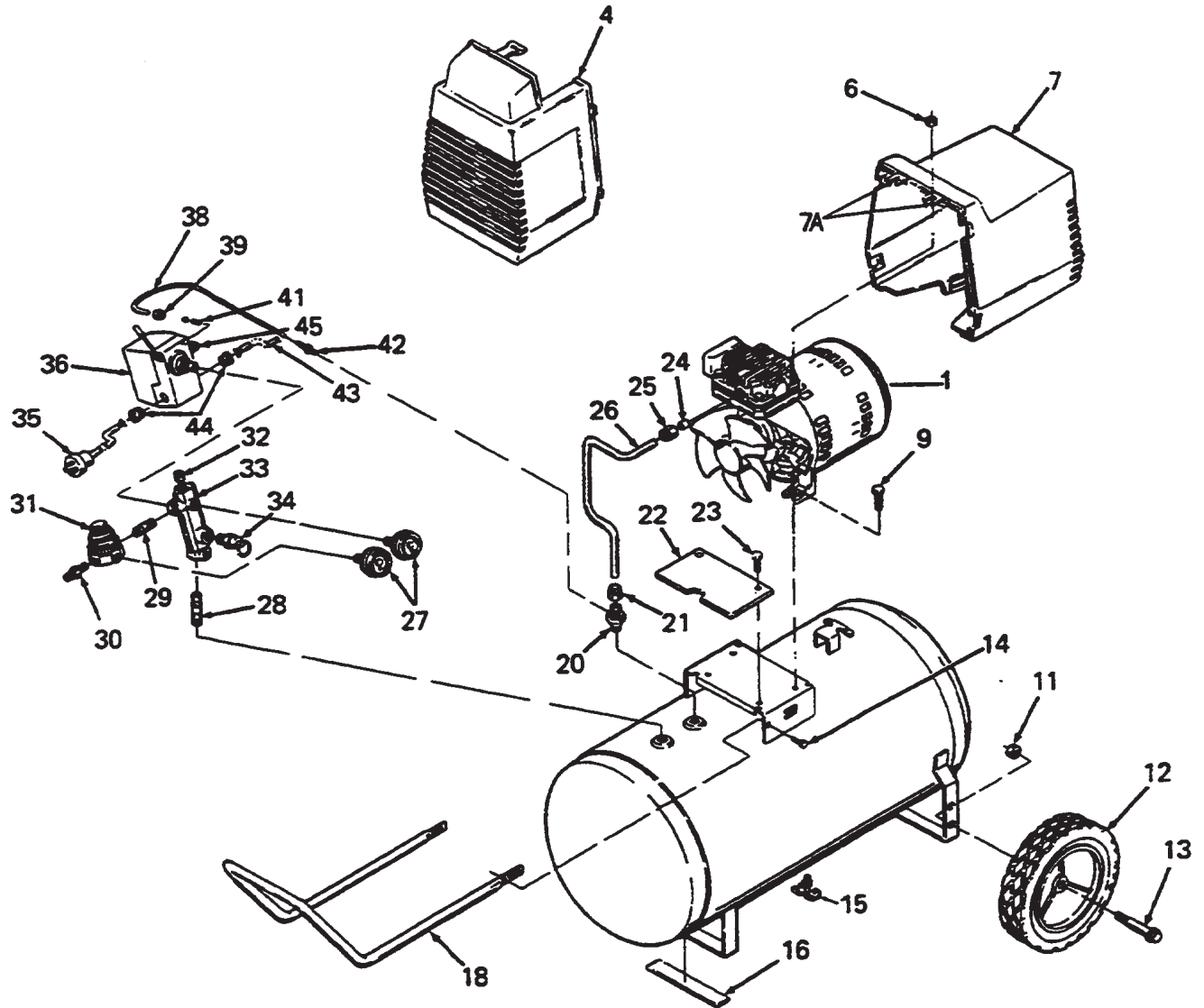


# IRFC18







# F18 (cont'd)

## KEY

<b><u>NO.</u></b>	<b><u>PART NUMBER</u></b>	<b><u>DESCRIPTION</u></b>
+ 45	-----	Fastener, Filter
+ 46	DAC-143	Air Filter
+ 47	-----	Intake Muffler
48	SSF-990	Screw 1/4"-20 x 1 1/4" (6 used, torque 7-10 ft./lbs.)
49	KK-5040	Head
50	SSF-6640	Stud 1/4"-20 x 1 1/4" (2 used, torque 7-10 ft./lbs.)
51	CAC-1066	Gasket
52	KK-5040	Valve Plate Assembly (includes valves, restrictors & screws)
53	SSG-8156	O-ring
* 54	-----	Connecting Rod Assembly (torque screw 30-35 in./lbs.)
* 55	-----	Cylinder Sleeve (position locating mark towards motor)
56	Z-MO-3025-2	Motor 1 HP
57	Z-CAC-4306-2	Eccentric Bearing Assy.
58	SSF-2043	Screw (eccentric/flywheel, torque 50-60 in./lbs.)
59	CAC-1055-1	Fan
60	SSF-3101	Screw 1/4-28 UNF long (torque 30-35 in./lbs.)

## **NOT ILLUSTRATED**

H-5796	Air Hose Assembly (1/4" I.D. x 15')
SSH-8	Air Chuck
SS-2707	Drain Valve
MG2-OFTANK-4A	Owners Manual
MP2-F18-1	Parts Manual

\* Keys 54& 55 can only be purchased as part of KK-4835 connecting rod kit.

+ Keys 45, 46 and 47 can only be purchased as part of KK-4977.