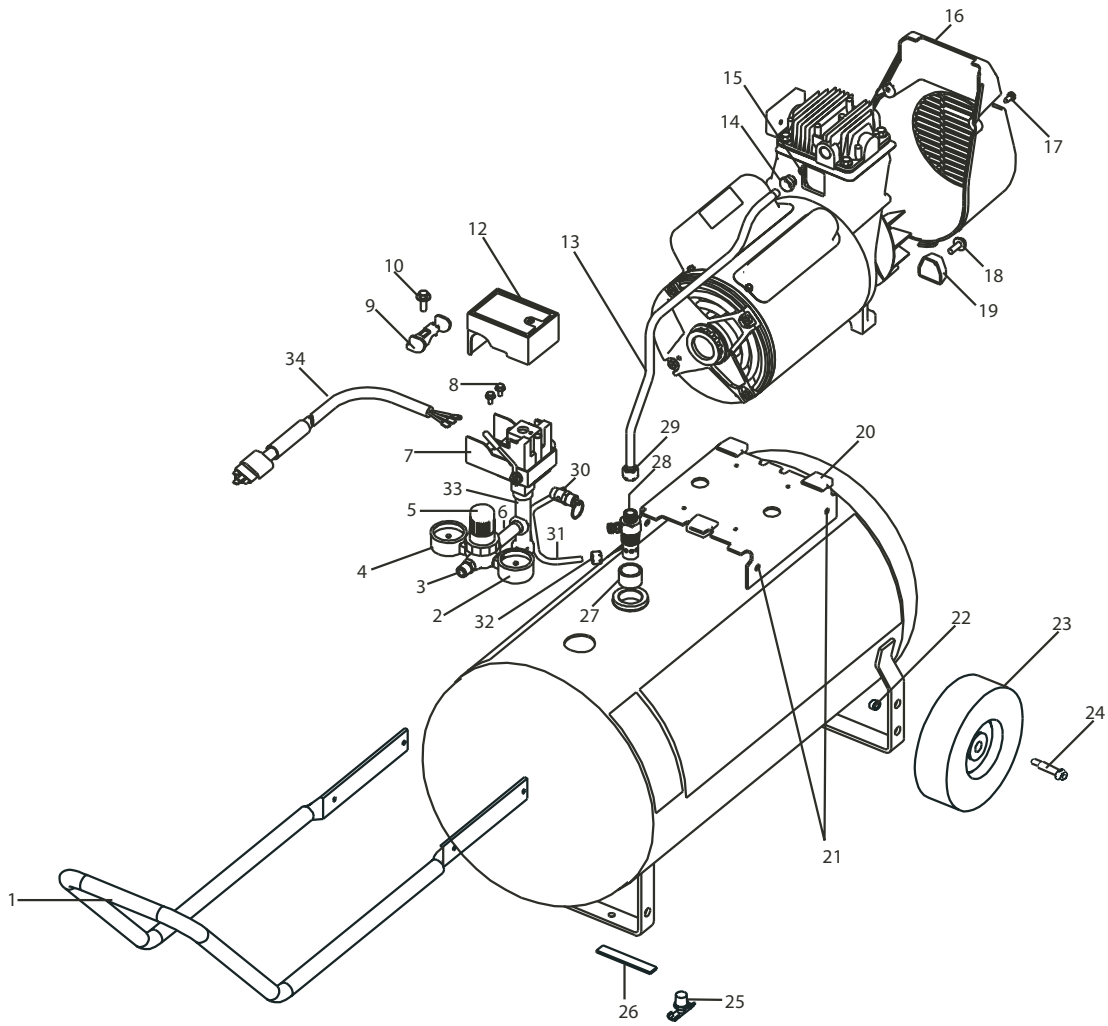


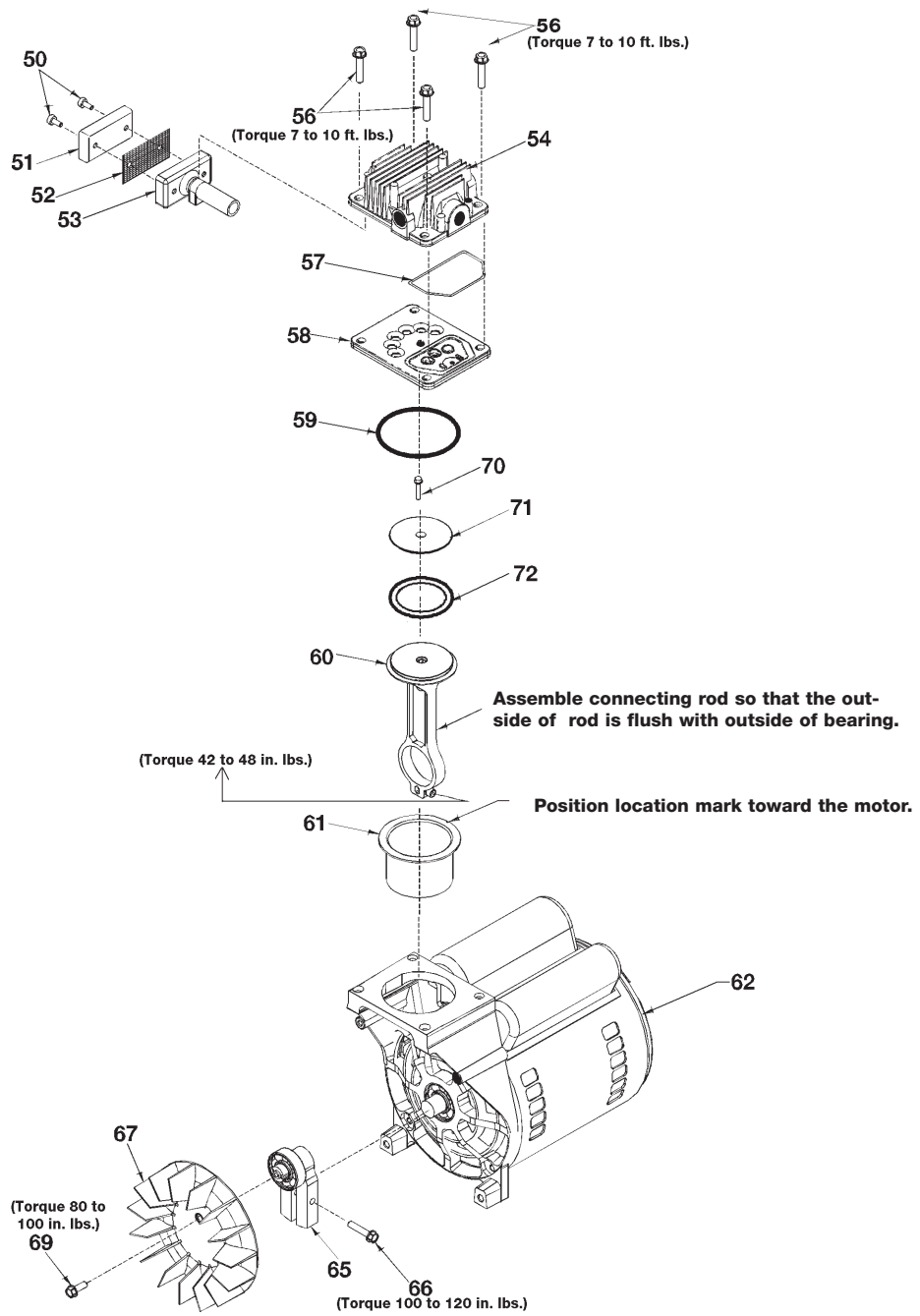
IRFB412



FB412 (cont'd)

KEY NO.	PART NUMBER	DESCRIPTION
1	AC-0562	Handle
2	AC-0009-1	Gauge, RT Hand
3	H-2101	Adaptor
4	AC-0010-1	Gauge, LT Hand
5	AC-0007	Regulator
6	SSP-480	Nipple, 1/4 x 2.5"
7	AC-0565	Pressure Switch
8	SSF-1001-1	Ground Screw (2 used)
9	CAC-1392	Strain Relief
10	SSF-556	Screw, 10-32 x 1
13	AC-0568	Outlet Tube
14	SSP-7821-1	Brass Compression Nut
15	CAC-1120	Silicone Sleeve
16	AC-0376	Mini Shroud
17	ACG-408	Screw 10-24 x 9/16" (2 used)
18	91895680	Screw, 1/4-20 x .75 (2 used)
19	ACG-18	Cup, Saddle Mount (2 used)
20	ACG-19	Isolator (3 used)
21	SSF-981	Screw (4 used)
22	SSF-8080-ZN	Nut, Hex 3/8-16 unc - 2B (2 used)
23	CAC-4299	Wheel - 6" (2 used)
24	CAC-60	Shoulder Bolt (2 used)
25	SS-2707	Drain Valve
26	SUDL-6-1	Strip, Rubber Foot
27	SSP-490-1	Reducer
28	AC-0631	Check Valve
29	SSP-7813	Nut/Sleeve Assy. 3/8"
30	97503734	Safety Valve
31	AC-0645	Pressure Relief Tube
32	SSP-7811	Nut Sleeve Assy.
33	AC-0027-2	Stand Pipe
34	SUDL-413-2	Cord Assembly

FB412 (cont'd)



FB412 (cont'd)

KEY	NO.	PART NUMBER	DESCRIPTION
+	50	---	Air filter fastener (2 used)
+	51	DAC-143	Air filter
+	52	---	Muffler screen
+	53	---	Intake muffler
	54	AC-0037	Head
	56	SSF-927	Screw 1/4-20 x 1 1/4" (4 used)
*✓	57	ACG-45	O-Ring
	58	AC-0032	Valve plate assembly (includes valves, restrictors & screws)
*✓	59	SSG-8156	O-ring
*	60	---	Connecting rod assembly
*✓	61	---	Cylinder sleeve (position locating mark toward motor)
	62	MO-9075	Motor
	65	AC-0140	Eccentric Flywheel Bearing Assy.
	66	SSF-615	Screw (1/4-20 unc-2A)
	67	AC-0108	Fan
	69	SSF-586	Screw (1/4-20 unc x .75)
*✓	70	SSF-3158-1	Screw 10-24 X .75 T25 Torx
*	71	---	Connecting Rod Cap
*✓	72	---	Compression Ring

NOT ILLUSTRATED

MG2-OFTANK-4A Owners Manual
MP2-FB412B Parts Manual

+ KK-4981 (also includes Key Nos. 50, 51, 52, 53)

* KK-4835 piston/cylinder kit (also includes Key Nos. 57, 59, 60, 61, 70, 71, 72)

✓ K-0058 cylinder sleeve/compression ring kit (also includes 57, 59, 61, 70, 72)