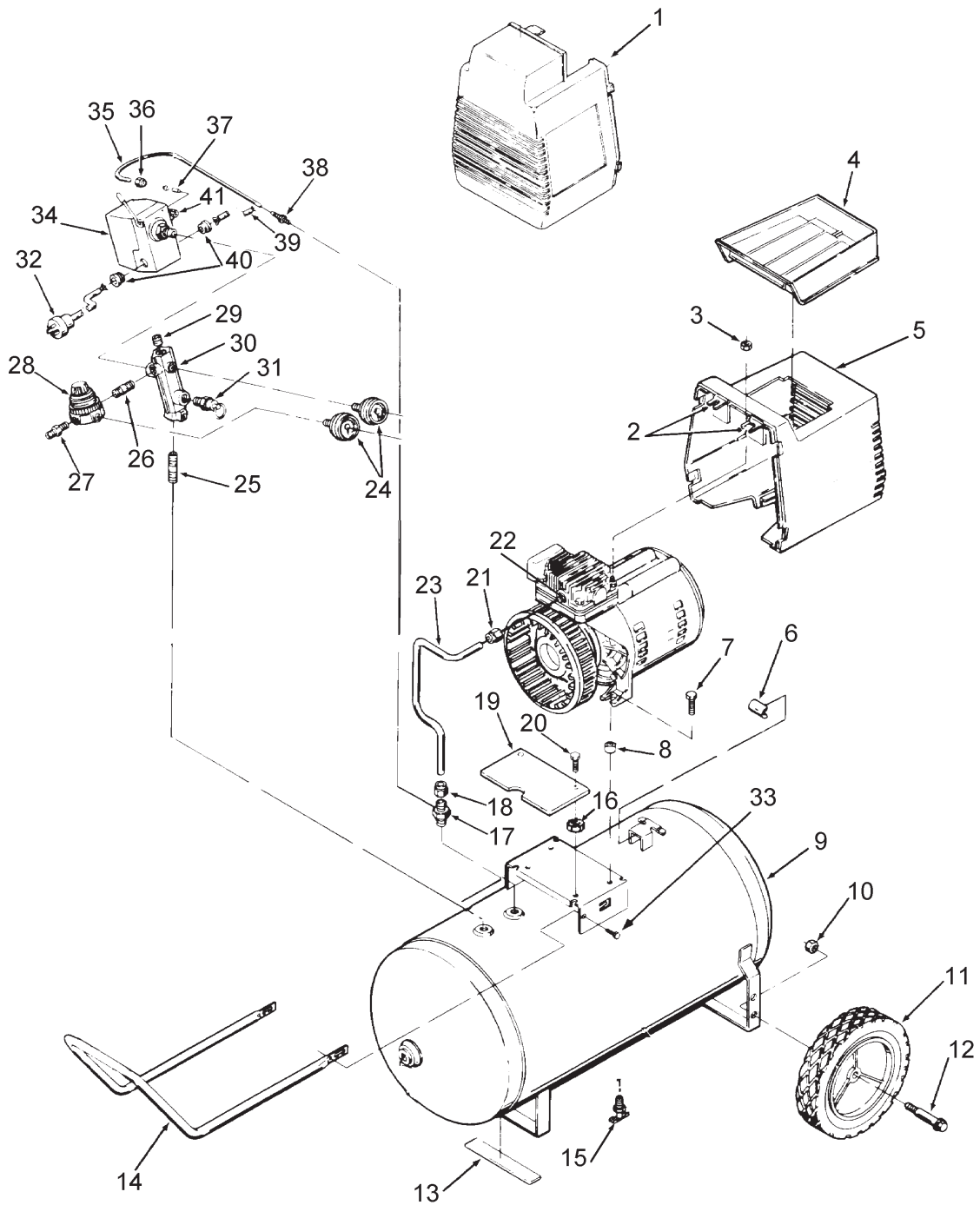


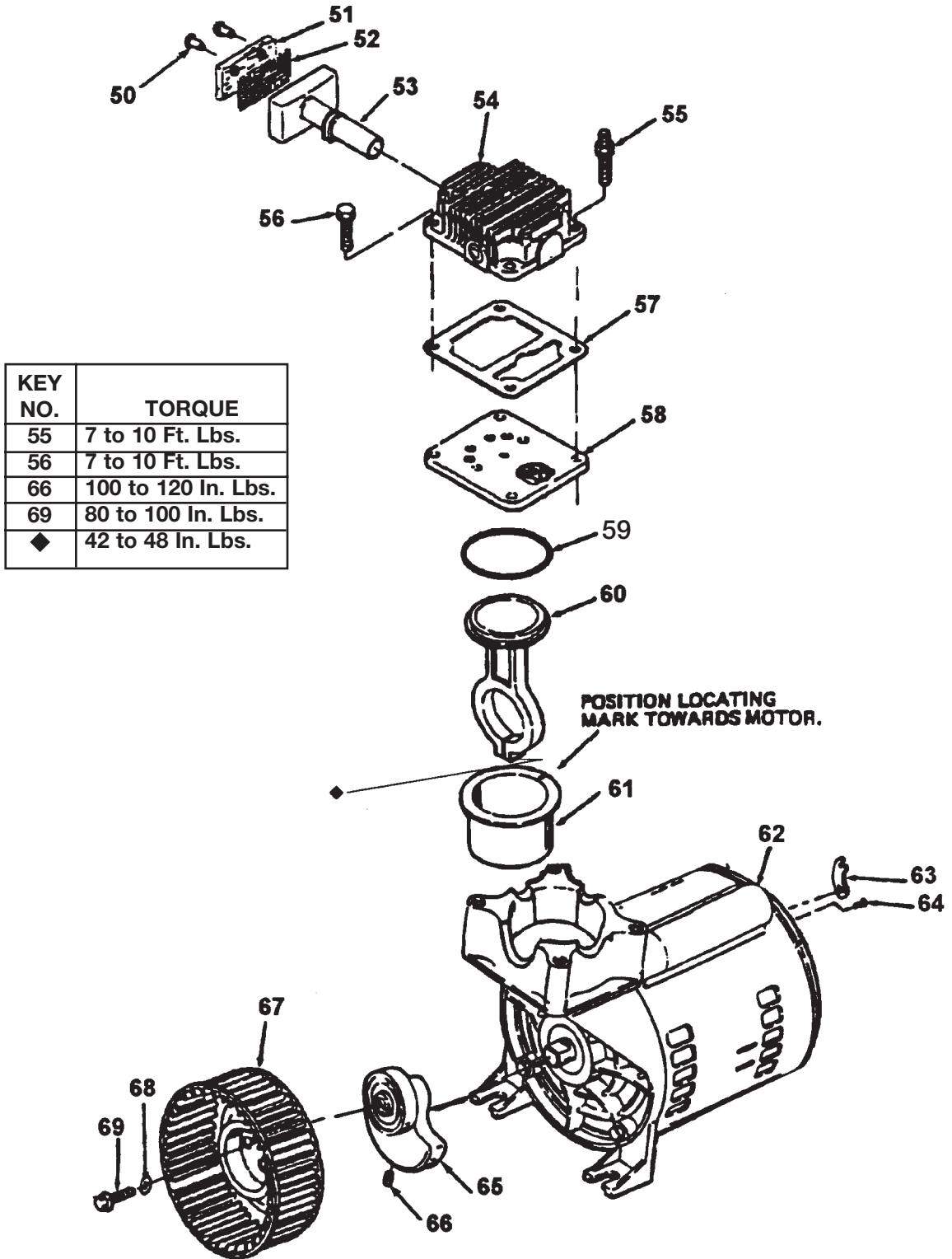
IRF412



F412 (cont'd)

KEY NO.	PART NUMBER	DESCRIPTION
1	AC-0078	Shroud - front
2	CAC-1121	Bracket (2 used - included with #10)
3	SS-655-ZN	Hex Nut 1/4"-20 (2 used)
4	CAC-1080	Tool tray
5	CAC-1082-2	Rear shroud assembly (includes 2 ea. #7)
6	CAC-1099	U-Channel isolator
7	SSF-505	Shoulder screw (2 used)
8	CAC-1098	Isolator (2 used)
10	SSF-8080-ZN	Nut 3/8"-16 (2 used)
11	CAC-4313	Wheel (2 used)
12	CAC-60	Shoulder bolt 3/8"-16 x 2 1/4" (2 used)
13	SUDL-6-1	Rubber foot strip
14	CAC-1304-1	Handle
15	SS-2707	Drain Tank
16	SSN-62	Nylon Spacer (2 used)
17	CAC-4290-3	Check valve
18	SSP-7813	Nut sleeve assembly (for 3/8" O.D. Tube)
19	AC-0155	Shroud Plate
20	SSF-1000	#12-3/4 Hex Hd. Screw (2 used)
21	SSP-7821-1	Nut (tighten until it stops against head)
22	CAC-1120	Silicone Sleeve
23	CAC-1155	Outlet tube
24	GA-352	Pressure Gauge (2 used)
25	SS-2110	Nipple (3/8" NPT x 1 1/2" long)
26	SS-2071	Nipple (1/4" NPT x 1 1/2" long)
27	H-2099	Adapter
28	CAC-4296-1	Regulator
29	SS-3222-CD	Pipe plug 1/4" NPT
30	CAC-365	Manifold
31	TIA-4150	Safety valve ASME
32	SUDL-403-1	Cord assembly - line
33	SSF-981	Handle Screw (4 used)
34	CAC-4221-3	Pressure switch
35	CAC-1085	Pressure relief tube (warm tube before installing on #50)
36	SSP-7811	Nut sleeve assembly (1/4")
37	SSP-9013	Tube insert
38	SSP-6088	Barbed fitting
39	CAC-4215-1	Cord assembly - motor to switch
40	SSW-7367	Strain relief (2 used)
41	KK-4315	Pressure release valve kit

F412 (cont'd)



KEY NO.	TORQUE
55	7 to 10 Ft. Lbs.
56	7 to 10 Ft. Lbs.
66	100 to 120 In. Lbs.
69	80 to 100 In. Lbs.
◆	42 to 48 In. Lbs.

F412 (cont'd)

KEY NO.	PART NUMBER	DESCRIPTION
+ 50	---	Air filter fastener (2 used)
51	DAC-143	Air filter
+ 52	---	Muffler screen
+ 53	---	Intake muffler
54	AC-0037	Head
55	SSF-589	Stud 1/4"-20 x 1 1/4"
56	SSF-927	Screw 1/4-20 x 1 1/4"
* 57	ACG-45	O-Ring
58	AC-0032	Valve plate assembly (includes valves, restrictors & screws)
* 59	SSG-8156	O-ring
* 60	---	Connecting rod assembly
* 61	---	Cylinder sleeve (position locating mark toward motor)
62	MO-9045	Motor
65	CAC-4086	Eccentric Flywheel Bearing Assy.
66	SSF-990	Screw, 1/4-20 unc-2A
✓ 67	-----	Fan
✓ 68	-----	Washer
✓ 69	-----	Screw 1/4-20 unc X .75

NOT ILLUSTRATED

SSH-20	Air Chuck
H-5796	Air Hose 1/4" ID x 15'
H-7040-1	Air Hose 1/4" ID x 15'
MG2-OFTANK-4A	Owners Manual
MP2-F412	Part Manual

- + Keys 50, 52 and 53 can only be purchased as part of KK-4981 (also includes Key #51).
- * Keys 57, 59, 60 and 61 are purchased as part of KK-4835 piston/cylinder kit.
- 3 Keys 67, 68 and 68 can be purchased as part of KK-5018 fan kit.