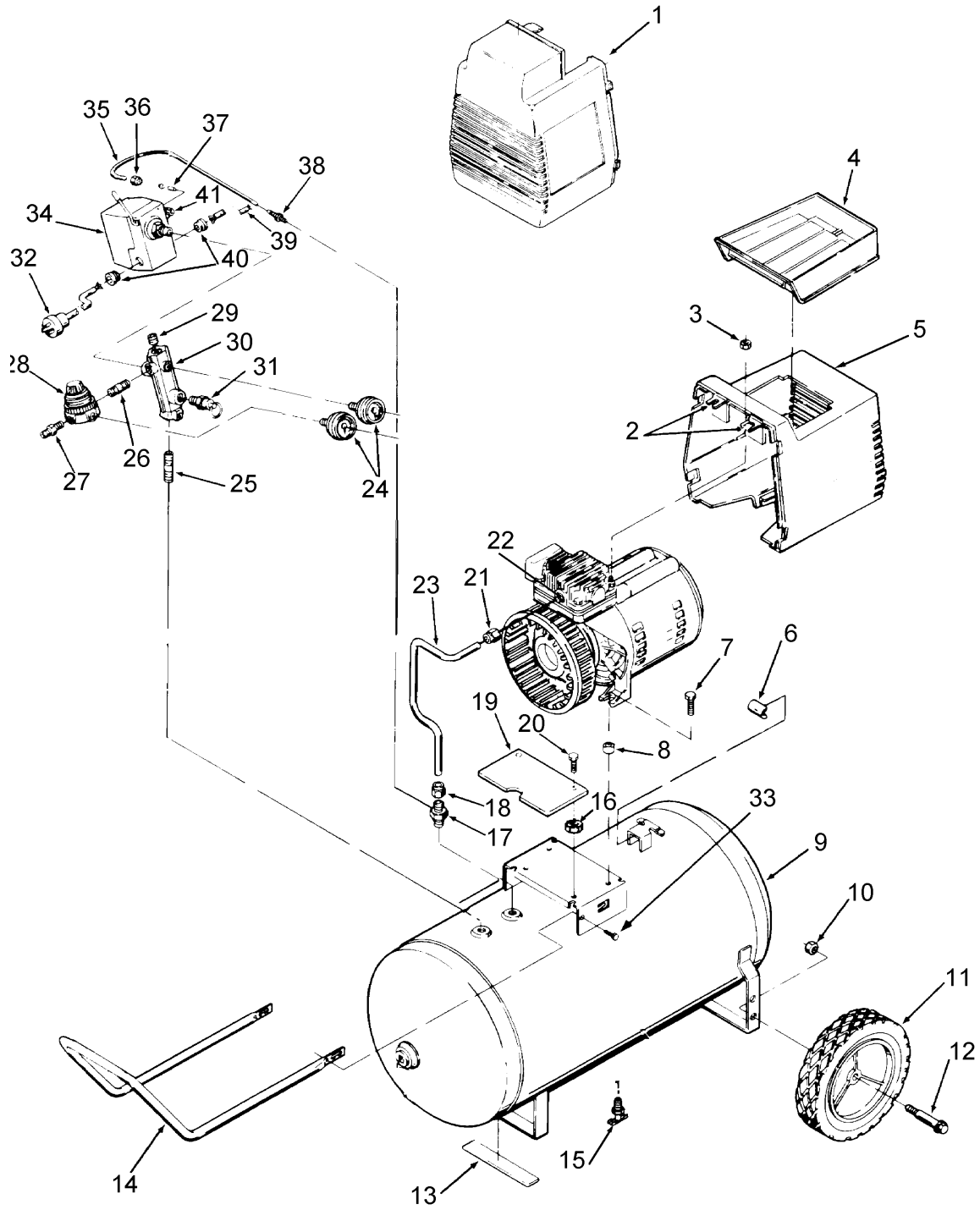


IRF312



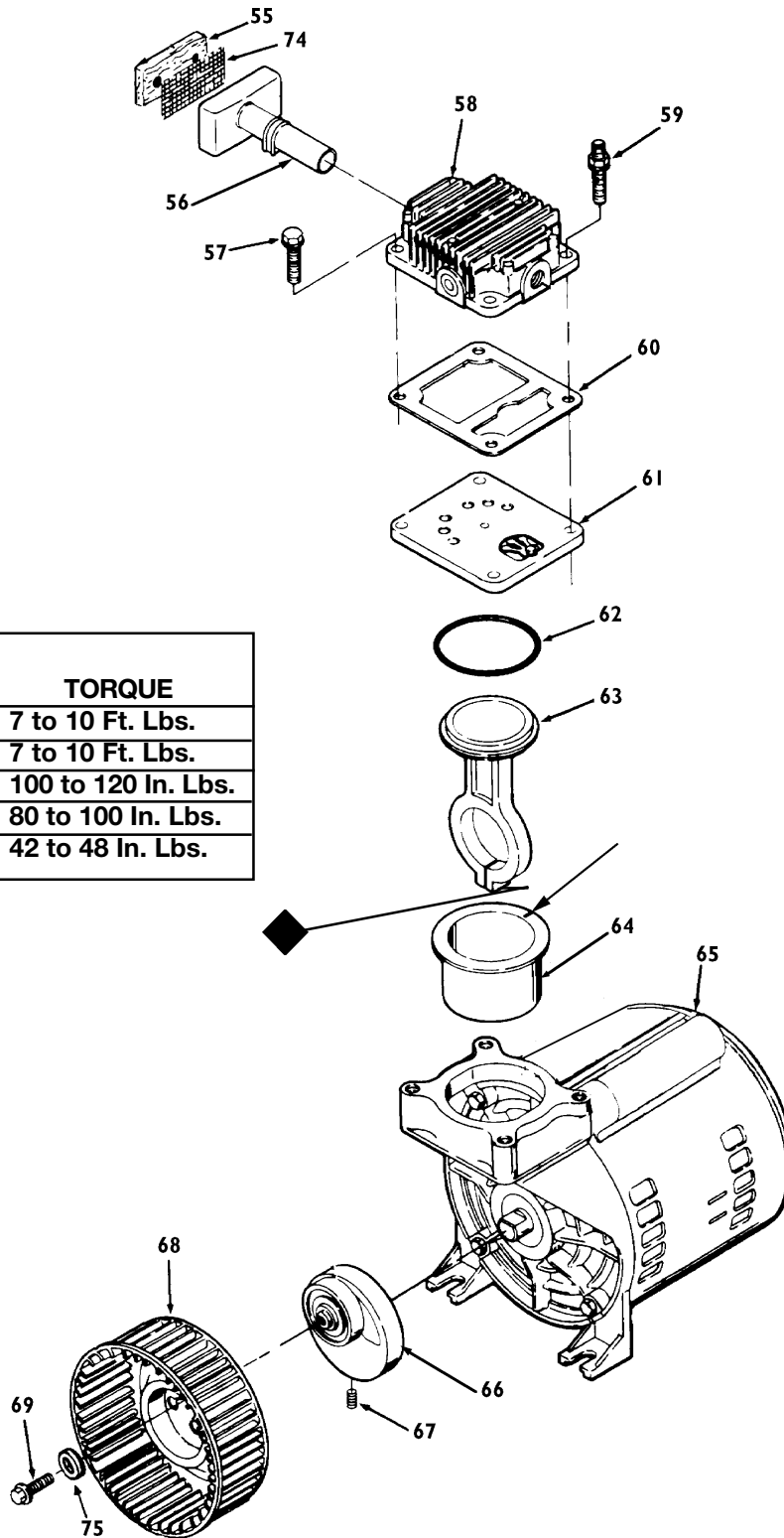
F312

F320 (cont'd)

| KEY NO. | PART NUMBER | DESCRIPTION |
|--------------------|--------------------|---|
| 4 | AC-0078 | Shroud - front |
| 7 | CAC-1121 | Bracket (2 used - included with #10) |
| 8 | SS-655-ZN | Hex Nut 1/4"-20 (2 used) |
| 9 | CAC-1080 | Tool tray |
| 10 | CAC-1082-2 | Rear shroud assembly (includes 2 ea. #7) |
| 11 | CAC-1099 | U-Channel isolator |
| 12 | SSF-505 | Shoulder screw (2 used) |
| 13 | CAC-1098 | Isolator (2 used) |
| 16 | SSF-8080-ZN | Nut 3/8"-16 (2 used) |
| 17 | CAC-4293 | Wheel 8" (2 used) |
| 18 | CAC-60 | Shoulder bolt 3/8"-16 x 2 1/4" (2 used) |
| 20 | SUDL-6-1 | Rubber foot strip |
| 22 | CAC-1304-1 | Handle (black finish) |
| 26 | CAC-4290-3 | Check Valve |
| 27 | SSP-7813 | Nut sleeve assembly (for 3/8" O.D. Tube) |
| 28 | AC-0155 | Shroud Plate |
| 29 | SSF-1000 | Ratchet Fastener (2 used) |
| 30 | SSP-7821-1 | Nut (tighten until it stops against head) |
| 31 | CAC-1155 | Outlet tube |
| 32 | GA-362 | Pressure Gauge (2 used) |
| 33 | SSN-62 | Nylon Spacer |
| 34 | SS-2072 | Nipple (3/8" NPT x 1 1/2" long) |
| 35 | SS-2071 | Nipple (1/4" NPT x 1 1/2" long) |
| 36 | H-2099 | Adapter |
| 37 | CAC-4296-1 | Regulator |
| 38 | SS-3222-CD | Pipe plug 1/4" NPT |
| 39 | CAC-1327 | Manifold |
| 40 | 97503734 | Safety valve ASME |
| 41 | CAC-1120 | Silicone Sleeve |
| 42 | SUDL-403-1 | Cord assembly - line |

F312

F320 (cont'd)



| KEY NO. | TORQUE |
|---------|---------------------|
| 59 | 7 to 10 Ft. Lbs. |
| 57 | 7 to 10 Ft. Lbs. |
| 67 | 100 to 120 In. Lbs. |
| 69 | 80 to 100 In. Lbs. |
| ◆ | 42 to 48 In. Lbs. |

F312

F320 (cont'd)

| KEY | NO. | PART NUMBER | DESCRIPTION |
|------------|------------|--------------------|---|
| | 43 | CAC-4220-2 | Pressure switch |
| | 45 | CAC-1085 | Pressure relief tube (warm tube before installing on #50) |
| | 46 | SSP-7811 | Nut sleeve assembly (1/4") |
| | 48 | SSP-9013 | Tube insert |
| | 50 | SSP-6088 | Barbed fitting |
| | 51 | CAC-4215-1 | Cord assembly - motor |
| | 52 | SSW-7367 | Strain relief (2 used) |
| | 53 | KK-4315 | Pressure release valve and mounting nut (included with #43) |
| | 54 | SSF-981 | Screw 1/4" AB x 3/4" long (2 used) |
| + | 55 | DAC-143 | Air Filter |
| + | 56 | ----- | Intake muffler |
| | 57 | SSF-990 | Screw 1/4"-20 x 1 1/4" (2 used) |
| | 58 | ACG-26 | Head |
| | 59 | SSF-6640 | Stud 1/4"-20 x 1 1/4" (2 used) |
| * | 60 | ACG-45 | O-ring |
| | 61 | Z-ACG-402 | Valve plate assembly (includes valves, restrictors & screws) |
| * | 62 | SSG-8156 | O-ring |
| * | 63 | --- | Connecting rod assembly |
| * | 64 | --- | Cylinder sleeve (position locating mark toward motor) |
| | 65 | MO-3018-4 | Motor 2 HP |
| | 66 | Z-CAC-4086 | Eccentric Flywheel Bearing Assy. |
| | 67 | SSF-3153 | Screw |
| X | 68 | ----- | Squirrel Cage Fan |
| X | 69 | ----- | Screw #10-24 x 3/8" long |
| | 71 | CAC-1415 | Terminal box cover |
| | 72 | SUDL-9-1 | Ground screw |
| + | 74 | ----- | Muffler screen |
| X | 75 | ----- | Washer |

NOT ILLUSTRATED

| | |
|---------------|------------------------|
| H-7038 | Air Hose 1/4" ID x 15' |
| H-7040-1 | Air Hose 1/4" ID x 25' |
| SSH-20 | Air Chuck |
| MG2-OFTANK-4A | General Manual |
| MP2-F312-1 | Parts |

+ Keys 55, 56, & 74 can be purchased in KK-4977 Service Kit.

* Keys 63 & 64 can only be purchased as part of KK-4835 Connecting Rod Kit.

X Keys 68, 69 and 75 can be purchased in KK-5018 Fan Kit.