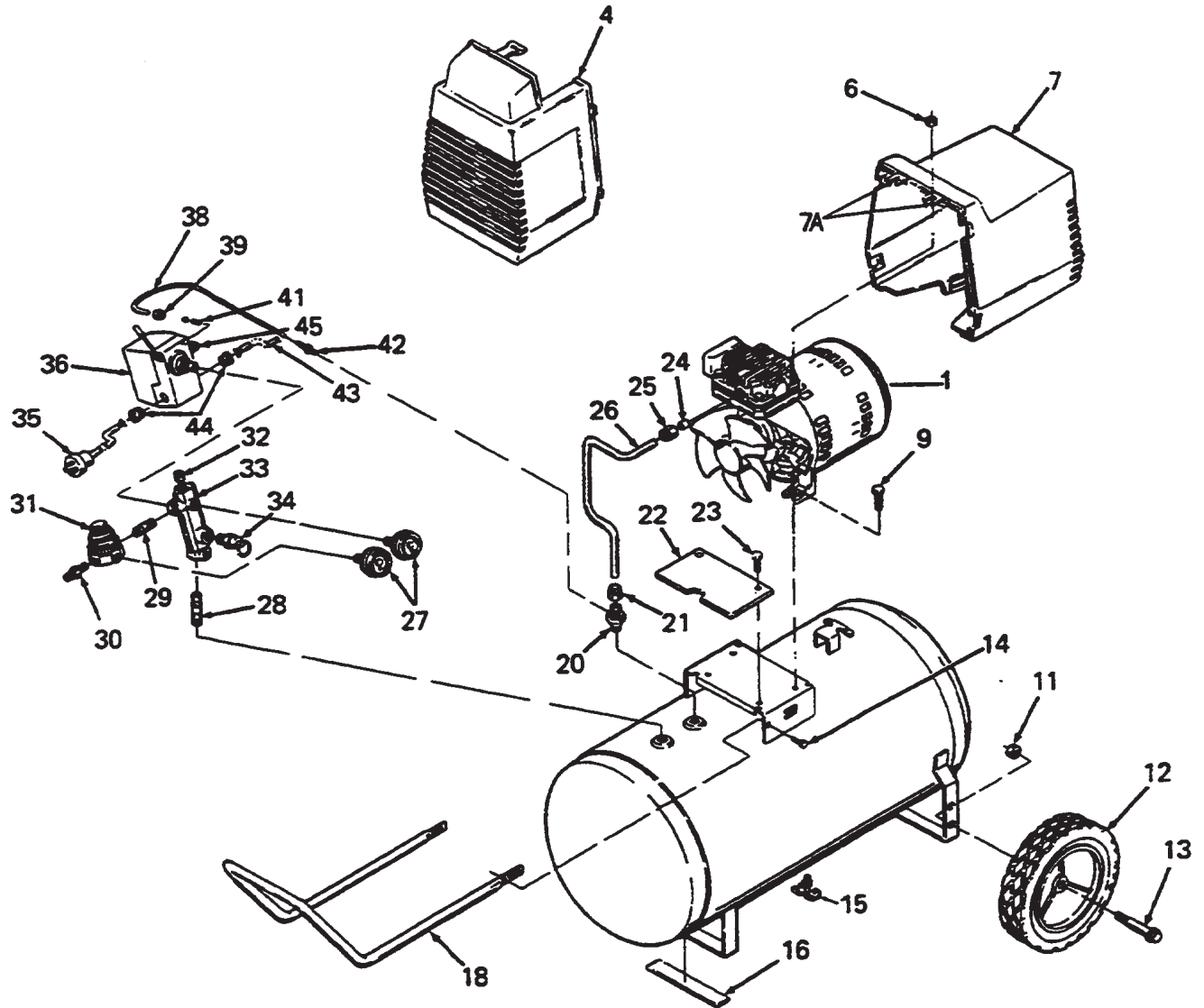


IRF18



F18 (cont'd)

KEY NO.	PART NUMBER	DESCRIPTION
4	AC-0078	Shroud, Front
6	SS-655-ZN	Hex Nut 1/4" - 20 (2 used)
7	CAC-4300	Rear Shroud Assembly (includes 2 ea. #7A)
7A	CAC-1121	Shroud Bracket (2 used)
9	AC-0011	Screw (2 used)
10	-----	-----
11	SSF-8080-ZN	Nut 3/8"-16 (2 used)
12	CAC-4299	Wheel (2 used)
13	CAC-60	Shoulder Bolt (2 used)
14	SSF-981	Sheet Metal Screw 1/4" x 3/4" long (2 used)
15	SS-2707	Drain Valve
16	SUDL-6-1	Rubber Foot Strip
18	CAC-1304-1	Ring, Panel Mounting
20	CAC-4290-3	Handle (black finish)
21	SSP-7813	Check Valve
22	AC-0155	Nut Sleeve Assembly (for 3/8 O.D. Tube)
23	SSN-8001	Shroud Plate
24	CAC-1120	Ratchet Fastener (2 used)
25	SSP-7821	Silicone Sleeve
26	CAC-1083-1	Outlet Tube
27	GA-369	Pressure Gauge (2 used)
28	SS-2072-1	Nipple (3/8 x 2.5" NPT x 1 1/2" long)
29	SS-2071	Nipple (1/4 x 2.5" NPT x 1 1/2" long)
30	H-2099	Adaptor
31	CAC-4296-1	Regulator
32	SS-3222-CD	Pipe Plug 1/4" NPT
33	CAC-365	Manifold
34	TIA-4125	Safety Valve
35	SUDL-403-1	Cord Assembly - Line
36	CAC-4220-2	Pressure Switch
38	CAC-1085-1	Pressure Relief Tube (warm tube before installing on #42)
39	SSP-7811	Nut/Sleeve Assembly (1/4")
41	SSP-9013	Tube Insert
42	SSP-6088	Barbed Fitting
43	CAC-4215-1	Cord Assembly - Motor
44	SSW-7367	Strain Relief (2 used)

