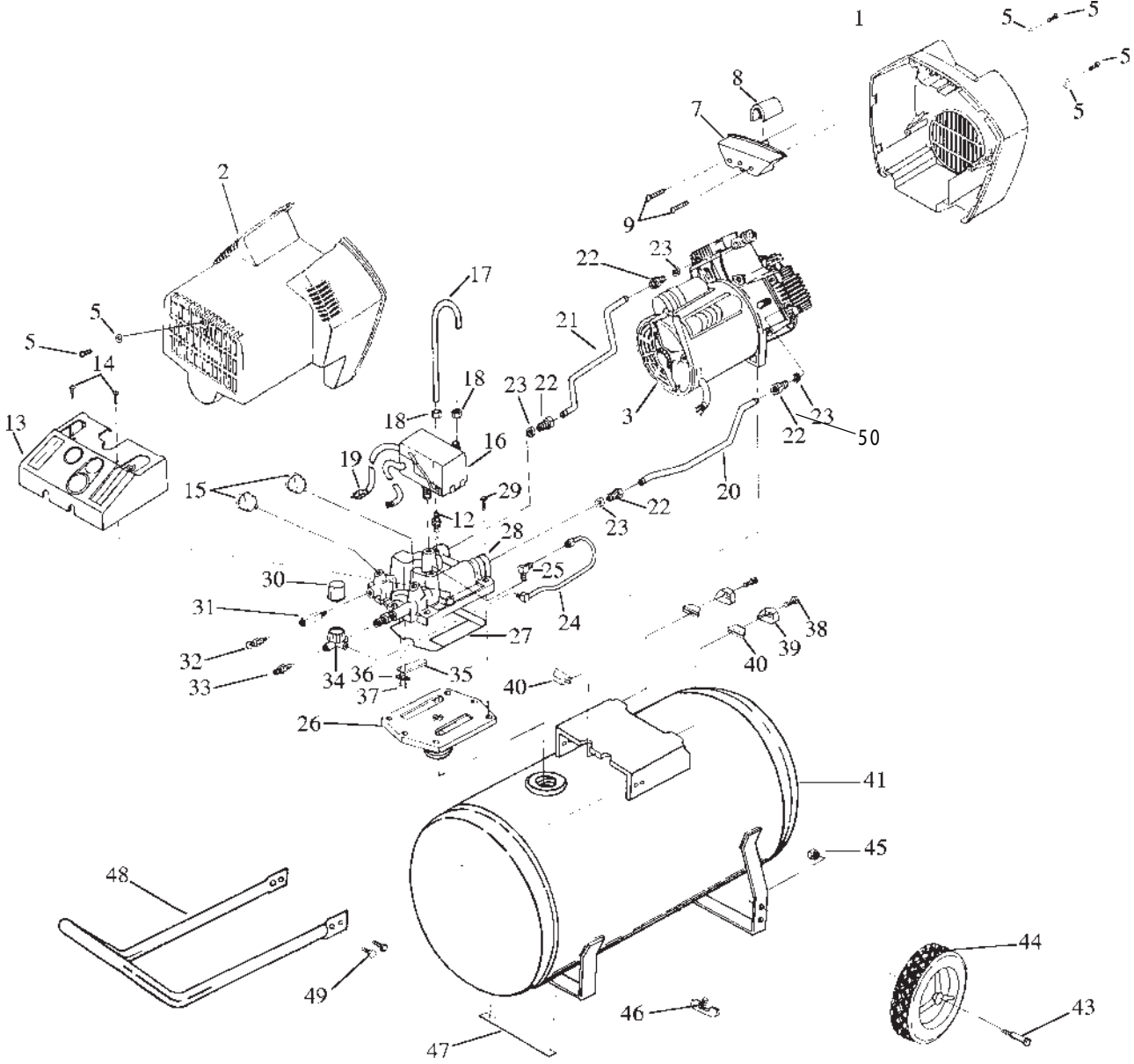


IRC500TVE30



500TVE30

C500TVE30 (cont'd)

KEY NO.	PART NUMBER	DESCRIPTION
1	DAC-243	Shroud, Rear
2	DAC-244	Shroud, Front
3	ACG-4000-1	Pump Assy.
5	ACG-408	Fastener Assembly (3 used)
7	DAC-249	Cover, Intake Muffler
8	ACG-12	Filter Element
9	SSF-554	Screw, #10-14 x 2.5 Pan Head (2 used)
12	SS-8553	Connector Body
14	SSF-558	Screw, #8-32 x .375 Torx Tap (2 used)
15	GA-362	Gauge (2 used)
16	CAC-1383	Pressure Switch
17	CAC-1388	Pressure Relief Tube
18	SSF-7811	Nut-Sleeve Assy 1/4" (2 used)
19	SUDL-415-1	Cord Assy.
20	ACG-37	Tube, Outlet Left
21	ACG-38	Tube, Outlet Right
22	SSF-550	Compression Nut (4 used)
23	CAC-1369	Silicone Sleeve (4 used)
24	CAC-4125	Tube Assy.
25	SSP-6422	Elbow 90°
26	CAC-1352	Manifold, Bottom
27	SSG-3100	O-Ring, Manifold
28	CAC-1353	Manifold, Top
29	SSF-990	Screw, 1/4-20 (6 used)
30	CAC-1370	Knob, Acorn Regulator
31	CAC-1377	Adaptor, Safety Valve
32	97503734	Safety Valve
33	H-2101	Adaptor
34	CAC-4296-1	Regulator
35	265-196-1	Valve, Flapper
36	CAC-1391	Restrictor, Check Valve
37	SSF-9821	Screw, THD Forming 5-40 x 1 (2 used)
38	91895680	Screw, 1/4-20 x .75 (2 used)
39	ACG-18	Cup, Saddle Mount (2 used)
40	ACG-19	Isolator (3 used)
43	CAC-60	Shoulder Bolt (2 used)
44	CAC-4313	Wheel - 10" (2 used)
45	SSF-8080-ZN	Nut, Hex 3/8 (2 used)
46	SS-2707	Drain Valve
47	SUDL-6-1	Strip, Rubber Foot
48	CAC-1374	Handle
49	SSF-981	Screw (4 used)
*50	ACG-4000-1	Pump Assembly
<u>NOT SHOWN</u>		
	Hose	H-7038 (1/4" X 15')
	Air Chuck	SSH-8

* Refer to pump breakdowns