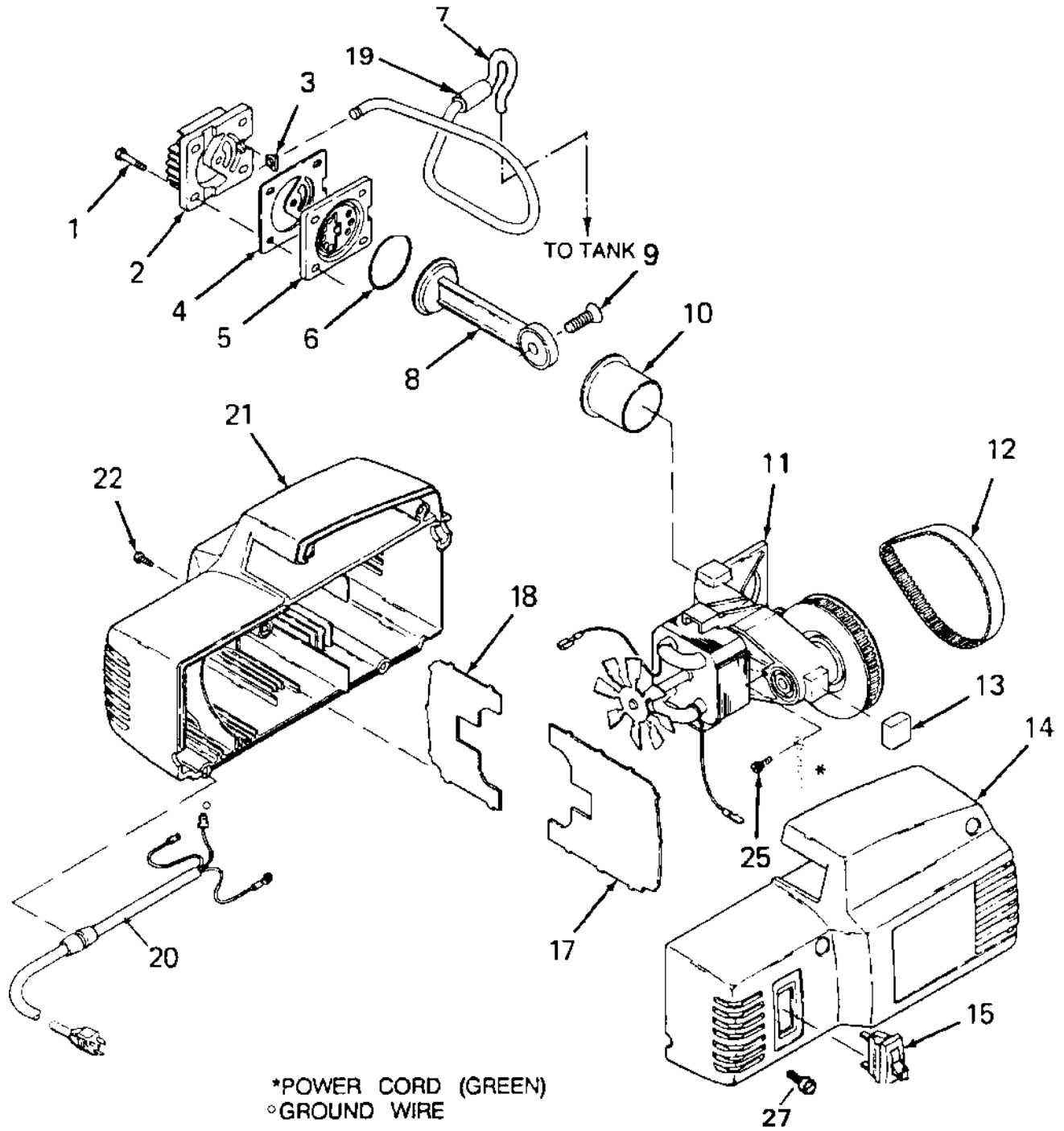


IRC102D



102D (cont'd)

KEY NO.	PART NUMBER	DESCRIPTION	
X	1	SSF-995	Screw #10-24 x 7/8 LG. hex head thd forming (4 used)
	2	CAC-1196	Cylinder head
*	3	CAC-1212	Tube seal
*	4	CAC-1199	Head gasket
	5	CAC-4323	Valve plate assembly
*	6	SSG-8169	"O" ring
	7	CAC-1289	Outlet tube
●	8	-----	Rod assembly
X	9	SSF-3147	Screw 3/8-16 x 1.25 LG. hex socket flat head
●	10	-----	Cylinder sleeve
	11	-----	Endbell assembly
	12	CAC-1207	Timing belt
*	13	CAC-1213	Pump isolator
	14	CAC-1191-1	Shroud (right)
	15	SSS-16	Switch
*	16	CAC-1211	Housing isolator
+	17	CAC-1202	Motor baffle (right)
+	18	CAC-1203	Motor baffle (left)
	19	AC-0206	Isolator Tube
	20	CAC-4074	Cord assembly
	21	CAC-1190-1	Shroud (left)
X	22	SSF-3156	Screw #10-9 x 1/2 LG. Phillips head thd forming (4 used)
	23	CAC-1206	Clamp
	24	CAC-4324	Pressure valve assembly
X	25	SUDL-9-1	Screws, ground #8-32 x 3/8 LG. Slotted hex head, thd forming

NOT ILLUSTRATED

MGP-102D-1 Owners Manual

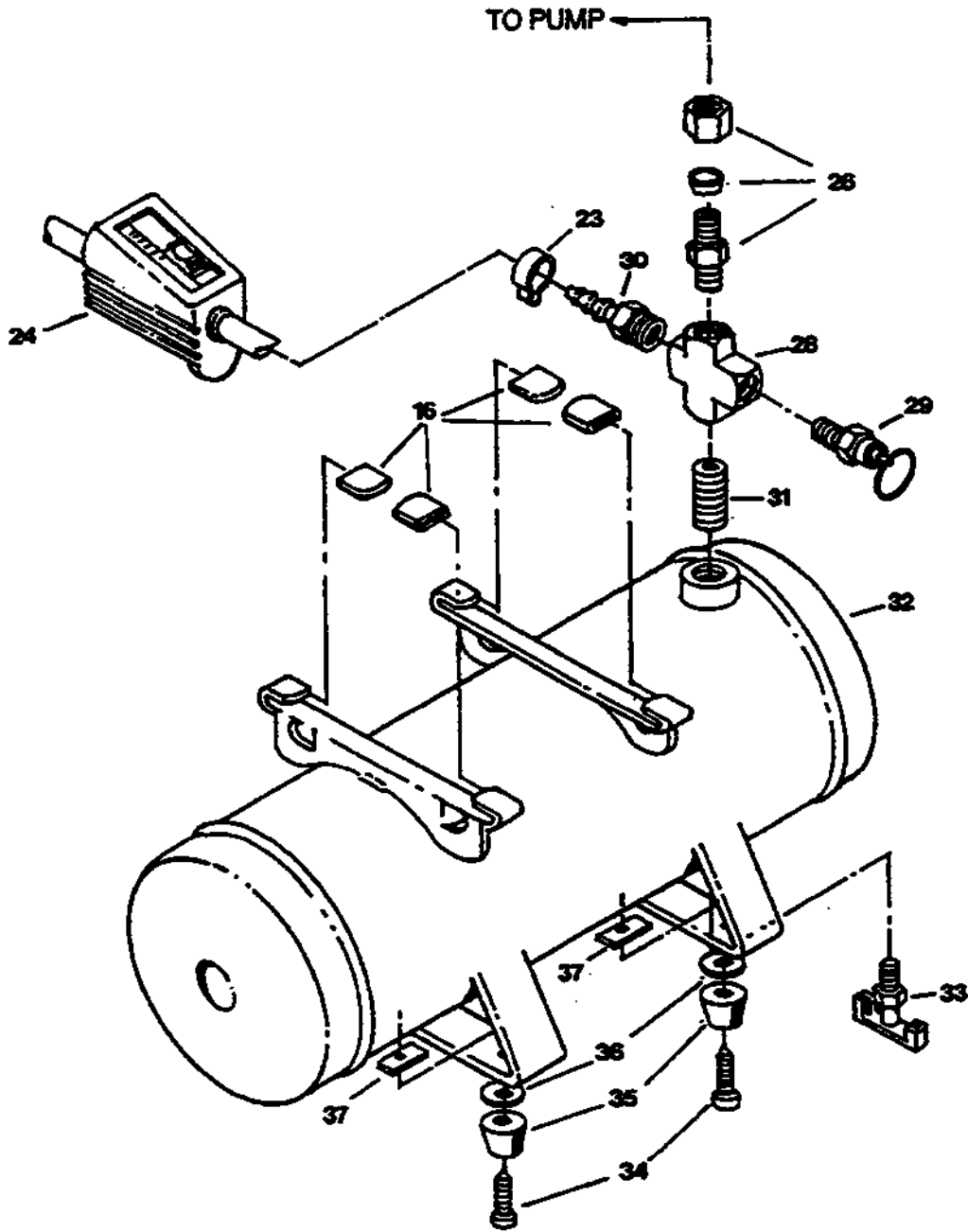
* KK-4930 Isolator Kit includes items 3, 4, 6, 13, 16.

X KK-4929 Fastener Kit includes items 1, 9, 22, 25.

+ KK-4980 Baffle Kit includes items, 17, 18.

● KK-4964 Connecting Rod Kit includes items 8, 10.

102D (cont'd)



102D (cont'd)

KEY

<u>NO.</u>	<u>PART NUMBER</u>	<u>DESCRIPTION</u>
26	SSP-6102	Male Connector
* 27	SSF-3151	Screw (tank retention) (as required)
28	SSP-3305-NI	Pipe Cross
29	TIA-4150	Safety Valve
30	H-2105	Hose Connection
31	SS-1286	Nipple
33	SS-2707	Drain Cock
* 34	SSF-983-ZN	Screw, self tapping
* 35	SST-5309	Recess Bumper
36	CAC-1277	Spacer
37	SSF-8146	Speed Nut

* KK-4949 Isolator Kit includes items 3, 4, 6, 13, 16, 34, 35, 27