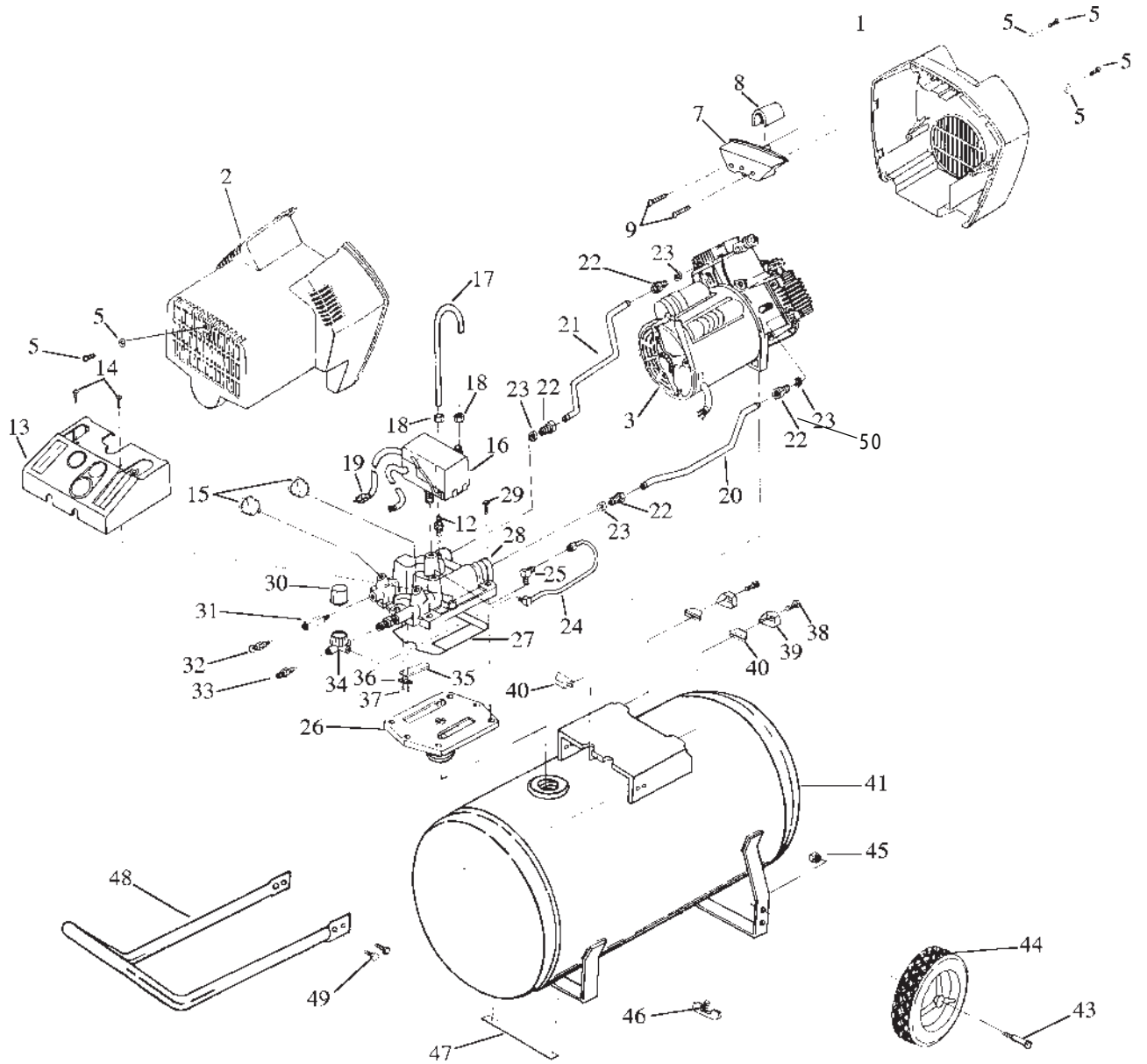


IR500TVE30



500TVE30

C500TVE30 (cont'd)

| KEY NO. | PART NUMBER | DESCRIPTION |
|-------------------------|--------------------|---------------------------------------|
| 1 | DAC-243 | Shroud, Rear |
| 2 | DAC-244 | Shroud, Front |
| 3 | ACG-4000-1 | Pump Assy. |
| 5 | ACG-408 | Fastener Assembly (3 used) |
| 7 | DAC-249 | Cover, Intake Muffler |
| 8 | ACG-12 | Filter Element |
| 9 | SSF-554 | Screw, #10-14 x 2.5 Pan Head (2 used) |
| 12 | SS-8553 | Connector Body |
| 14 | SSF-558 | Screw, #8-32 x .375 Torx Tap (2 used) |
| 15 | GA-362 | Gauge (2 used) |
| 16 | CAC-1383 | Pressure Switch |
| 17 | CAC-1388 | Pressure Relief Tube |
| 18 | SSF-7811 | Nut-Sleeve Assy 1/4" (2 used) |
| 19 | SUDL-415-1 | Cord Assy. |
| 20 | ACG-37 | Tube, Outlet Left |
| 21 | ACG-38 | Tube, Outlet Right |
| 22 | SSF-550 | Compression Nut (4 used) |
| 23 | CAC-1369 | Silicone Sleeve (4 used) |
| 24 | CAC-4125 | Tube Assy. |
| 25 | SSP-6422 | Elbow 90° |
| 26 | CAC-1352 | Manifold, Bottom |
| 27 | SSG-3100 | O-Ring, Manifold |
| 28 | CAC-1353 | Manifold, Top |
| 29 | SSF-990 | Screw, 1/4-20 (6 used) |
| 30 | CAC-1370 | Knob, Acorn Regulator |
| 31 | CAC-1377 | Adaptor, Safety Valve |
| 32 | 97503734 | Safety Valve |
| 33 | H-2101 | Adaptor |
| 34 | CAC-4296-1 | Regulator |
| 35 | 265-196-1 | Valve, Flapper |
| 36 | CAC-1391 | Restrictor, Check Valve |
| 37 | SSF-9821 | Screw, THD Forming 5-40 x 1 (2 used) |
| 38 | 91895680 | Screw, 1/4-20 x .75 (2 used) |
| 39 | ACG-18 | Cup, Saddle Mount (2 used) |
| 40 | ACG-19 | Isolator (3 used) |
| 43 | CAC-60 | Shoulder Bolt (2 used) |
| 44 | CAC-4313 | Wheel - 10" (2 used) |
| 45 | SSF-8080-ZN | Nut, Hex 3/8 (2 used) |
| 46 | SS-2707 | Drain Valve |
| 47 | SUDL-6-1 | Strip, Rubber Foot |
| 48 | CAC-1374 | Handle |
| 49 | SSF-981 | Screw (4 used) |
| *50 | ACG-4000-1 | Pump Assembly |
| <u>NOT SHOWN</u> | | |
| | Hose | H-7038 (1/4" X 15') |
| | Air Chuck | SSH-8 |

* Refer to pump breakdowns