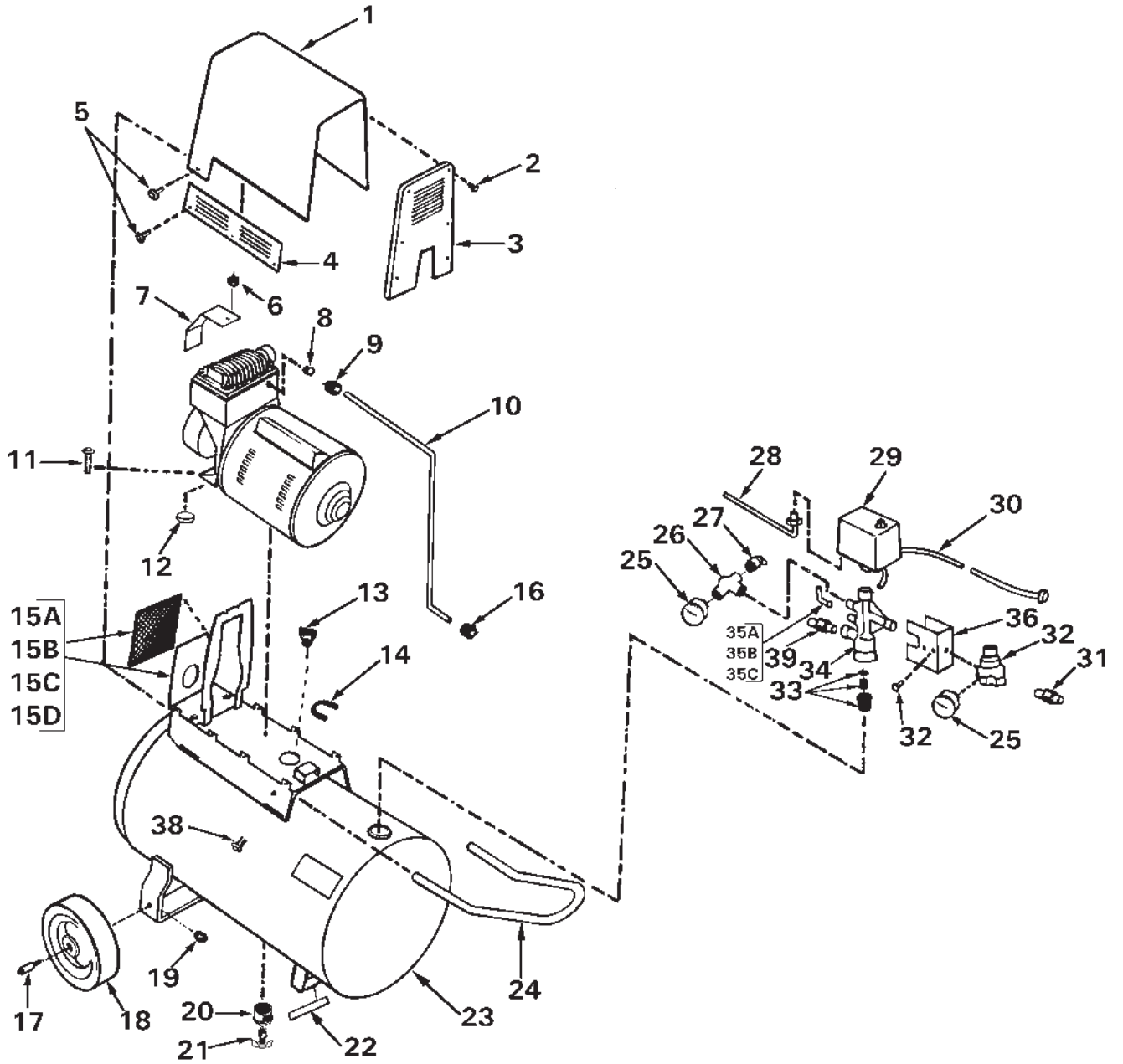


IR350E20AD-1

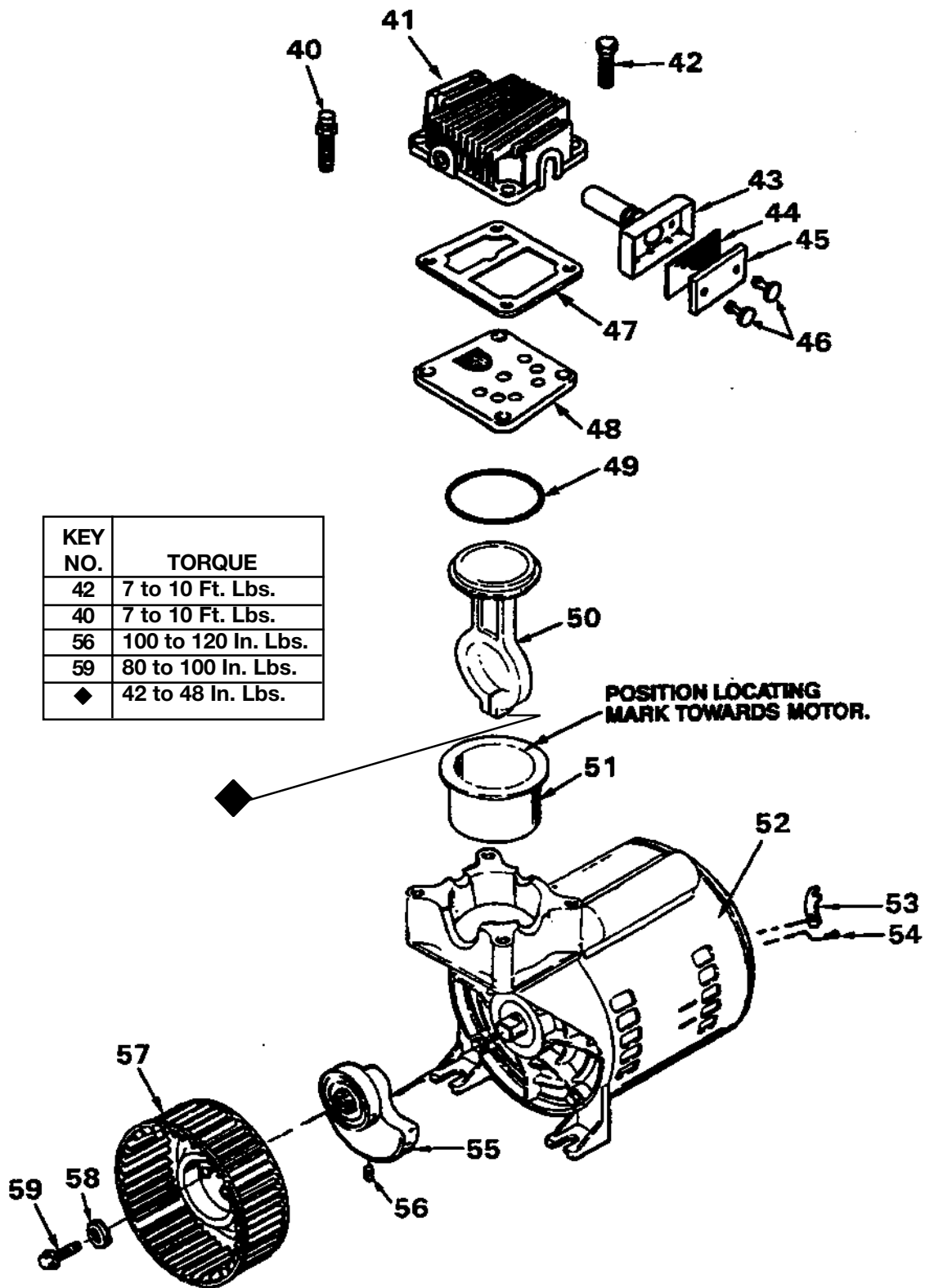


350E20AD-1 (cont'd)

KEY NO.	PART NUMBER	DESCRIPTION
1	DAC-487	Shroud Assy. (includes #2, 3, 4)
2	91892588	Screw (12 used)
+ 3	---	Front Cover (included with #1)
+ 4	---	Side Cover (included with #1)
5	91895680	Screw (8 used) (torque 50-70 in/lb)
6	SS-655-ZN	Nut (torque 50-60 in/lb)
7	DAC-169-1	Bracket
8	CAC-1120	Silicone Sleeve
9	SSP-7821-1	Nut (torque 100-120 in/lb)
10	DAC-165	Outlet Tube
11	SSF-505	Shoulder Screw (2 used) (torque 95-120 in/lb)
12	CAC-1098	Isolator
13	91891242	Insulating Bushing
14	CAC-1099	U-Channel
15A	CAC-1395	Baffle
15B	DAC-183	Finger Guard
15C	SS-6505-CD	Washer 1/4
15D	----	----
16	SSP-7813	Nut Sleeve Assy.
17	CAC-60	Shoulder Bolt
18	CAC-4293	Wheel (2 used)
19	SSF-8080-ZN	Hex Nut (2 used)
20	SSP-1138	Reducer Bushing
21	SS-2707	Drain Valve
22	SUDL-6-1	Rubber Foot SDtrip
23	TA-4227	Tank
24	DAC-177	Handle
25	C-GA-345	Gauge (2 used)
26	97182133	Tee
27	97503734	Safety Valve
28	CAC-4205	Cord (motor to switch)
29	DAC-181-1	Pressure Switch
30	SUDL-413-2	Power Cord (C250E20AD-1)
	DAC-174	Power Cord (250E20AD-1)
31	H-2099	Adapter
32	DAC-180	Regulator
33	97506406	Check Valve Kit
34	DAC-172	Manifold
35A	CAC-1085	Pressure Relief Tube
35B	SSP-9013	Tube Insert
35C	SSP-7811	Nut Sleeve Assy.
36	97511471	Manifold Cover
37	91890632	Screw (4 used)
38	SSF-990	Handle Screw (2 used)
39	SSP-6050	Male Connector

+ Keys 3 and 4 can only be purchased as part of Key #1, DAC-487 Shroud Assy.

350E20AD-1 (cont'd)



350E20AD-1 (cont'd)

KEY	NO.	PART NUMBER	DESCRIPTION
	40	SSF-6640	Stud (torque 7-10 ft/lbs)
	41	KK-5040	Head
	42	SSF-990	Screw (3 used) (torque 7-10 ft/lbs)
X	43	-----	Intake Muffler
X	44	-----	Intake Screen
X	45	DAC-143	Intake Filter
X	46	-----	Filter Fastener
	47	CAC-1175	Gasket
	48	KK-5040	Valve Plate Assembly
•	49	SSG-8156	O-Ring
•	50	-----	Connecting Rod Assembly
•	51	-----	Cylinder Sleeve
	52	C-MO-3020-1	Motor
	53	SSW-5394	Terminal Box Cover
	54	SUDL-9-1	Grounding Screw
	55	Z-CAC-4086	Eccentric/Bearing Assembly
	56	SSF-3101	Set Screw
✓	57	-----	Squirrel Cage Fan
✓	58	-----	Washer
✓	59	-----	Screw

NOT ILLUSTRATED

SSH-8	Air Chuck
H-5796	Air Hose Assy. (1/4" ID x 15')
KK-5019	Pressure Relief Valve Kit
H-7040-1	Air Hose Assy. (5/16" ID x 25')
MG2-OFTANK-4A	General Manual
MP2-350E20D-2	Parts Manual

X Keys 43, 44 and 46 can only be purchased as part of KK-4981 Intake Filter Kit (includes one #45).

• Keys 49, 50 and 51 can only be purchased as part of KK-4835 Connecting Rod Kit.

✓ Keys 57, 58 and 59 can only be purchased as part of KK-5018