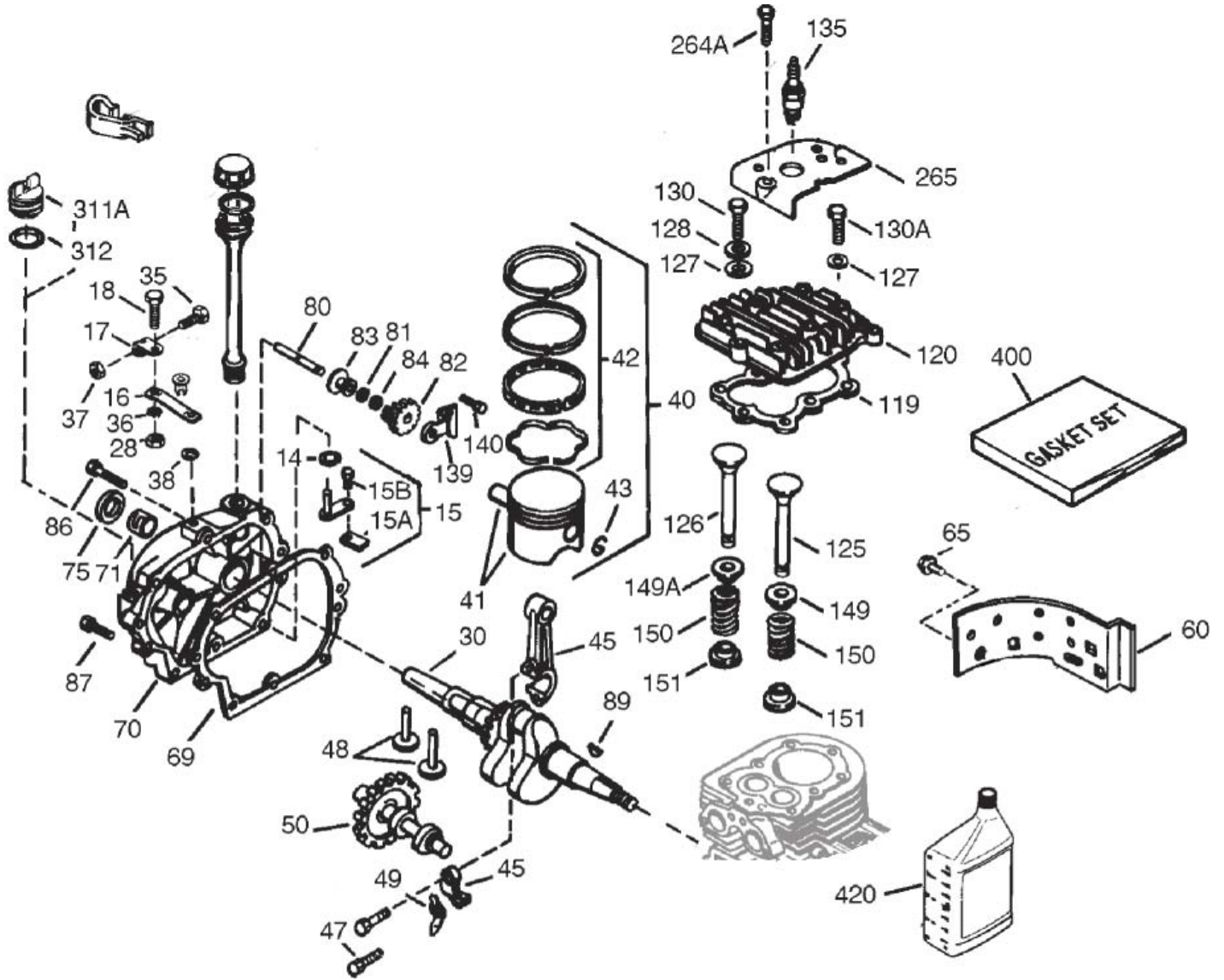




HM100-GT ENGINE

Illustrated Parts Breakdown

CRANK





HM100-GT ENGINE

Illustrated Parts Breakdown

CRANK

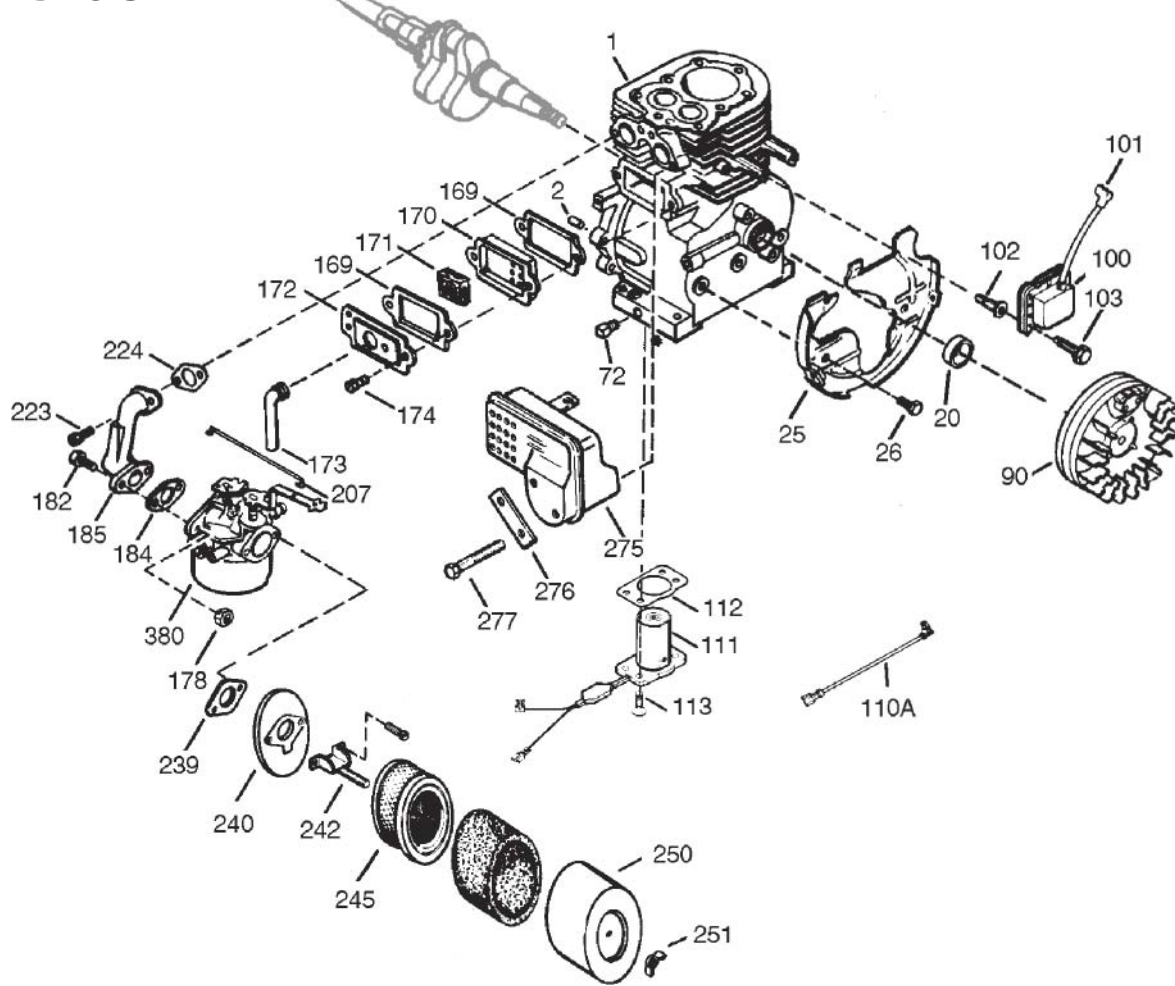
Key	Part #	Description	Qty.	Key	Part #	Description	Qty.
15A	30700	Governor Yoke	1	75	35319	Oil Seal	1
15B	650494	Screw 6-40 x 5/16"	1	80	31845	Governor Shaft	1
15	30699C	Governor Rod	1	81	30590A	Washer	1
16	33454A	Governor Lever	1	82	35378	Governor Gear Assy	1
17	29916	Governor Lever Clamp	1	83	30588A	Governor Spool	1
18	651028	Screw Torx T-15 8-32 x 3/8"	1	84	29193	Retaining Ring	1
28	30322	Lock Nut	1	86	650833	Screw 1/4-20 x 1-3/16"	7
30	37302	Crankshaft	1	87	650832	Screw 1/4-20 x 1-11/16"	1
35	29826	Screw 10-32 x 3/4"	1	89	32589	Flywheel Key	1
36	29918	Lock Washer	1	119	36451	Cylinder Head Gasket	1
37	29216	Lock Nut	1	120	36449	Cylinder Head	1
38	29642	Retaining Ring	1	125	27878A	Exhaust Valve	1
40	35776A	Piston Pin & Ring Set	1		27880A	Exhaust Valve 1/32 OS	1
	35777A	Piston Pin & Ring Set .010 OS		126	34035	Intake Valve	1
	35778A	Piston Pin & Ring Set .020 OS			34036	Intake Valve 1/32 OS	1
41	35773A	Piston & Pin Assembly	1	127	650691	Washer	9
	35774A	Piston & Pin Assy. .010 OS		128	650690	Belleville Washer	9
	35775A	Piston & Pin Assy. .020 OS		130A	651031	Screw 1/4 x 9/16"	1
42	35779	Ring Set	1	130	650694A	Screw 5/16-18 x 2"	9
	35780	Ring Set .010 OS		135	33636	Resistor Spark Plug	1
	35781	Ring Set .020 OS		139	33369	Governor Gear Bracket	1
43	35772	Piston Pin Retaining Ring	2	140	650836	Screw 10-24 x 1/2"	2
45	36898	Connecting Rod Assy.	1	149A	35862	Valve Spring Cap	1
47	651033	Connecting Rod Bolt	2	149	27882	Valve Spring Cap	1
48	34034	Valve Lifter	2	150	27881	Valve Spring	2
49	36896	Oil Dipper	1	151	32581	Valve Spring Keeper	2
50	35375	Camshaft	1	311A	35941	Oil Fill Plug	1
60	33273A	Blower Housing Extention	1	312	29673	O-Ring	1
65	650128	Screw 10-24 x 1/2"	1	370K	36695	Starter Decal	1
69	37342	Cylinder Cover Gasket	1	380	640152	Carburetor	1
70	35376	Cylinder Cover	1	400	36452B	Gasket Set	1
71	35377	Crankshaft Bushing	1	420	730225	SAE 30 4-Cycle Engine Oil	1qt.



HM100- GT ENGINE

Illustrated Parts Breakdown

////BLOCK



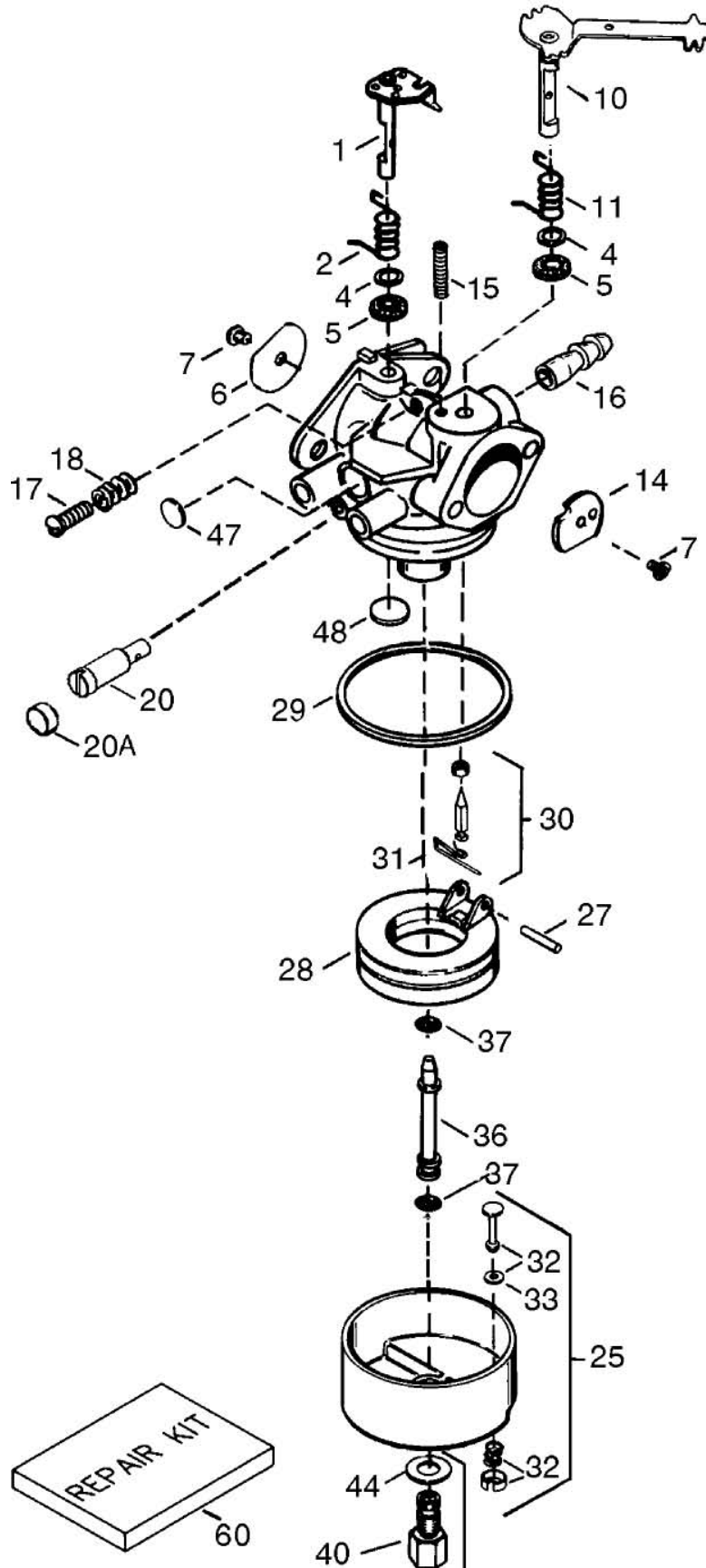
Key	Part #	Description	Qty.	Key	Part #	Description	Qty.
1	35968A	Cylinder	1	173	35350	Breather Tube	1
2	27652	Dowel Pin	2	174	650128	Scr ew 10-24 x 1/2 "	2
20	35319	Oil Seal	1	178	29752	Nut & Lo ck Washer 1/4-28	1
25	36460	Blower Housing Baffle	1	182	30088A	Scr ew 1/4-28 x 1 "	2
26	650561	Scr ew 1/4-20 x 5/8"	2	184	33263	Car buretor To Inta ke Pipe Gas ket	1
72	27642	Oil D rain Plug	2	185	33877	Intake Pipe	1
90	611090	Flywheel	1	207	33878	Throttle Link	1
100	35135	Solid State Ignition	1	223	650378	Scr ew Torx T-30 5/16-18 x 1-1/8 "	2
101	610118	Spa rk Plug C over	1	224	27915A	Intake Pipe Gas ket	1
102	651024	Solid State Mounting Stud	2	239	27272A	Air Cleaner Gas ket	1
103	651007	Scr ew Torx T-15 10-24 x 15/16 "	2	240	33266	Air Cleaner B racket	1
110A	36993	Oil Shut-D own & Wire Terminal	1	242	33267	Air Cleaner B racket	1
111	611220	Low Oil Shut-D own Switch	1	245	33268	Air Cleaner Filter	1
112	35967	Low Oil Shut-D own Gas ket	1	250	33269A	Air Cleaner C over	1
113	650950	Scr ew Torx T-25 10-24 x 5/8 "	4	251	650513	Wing Nut	1
169	27896A	Breather Gas ket	2	265	33272B	Cylinder Head C over	1
170	28423	Breather Body	1	275	34185B	Muffler	1
171	28424	Breather Element	1	276	31588	Locking Plate	1
172	28425	Valve C over	1	277	650729	Scr ew 5/16-18 x 3-3/16 "	2
				370K	36695	Starter Decal	1
				380	640152	Carburetor	1



HM100-GT ENGINE

Illustrated Parts Breakdown

640152 CARBURETOR





HM100-GT ENGINE

Illustrated Parts Breakdown

640152 CARBURETOR Cont.



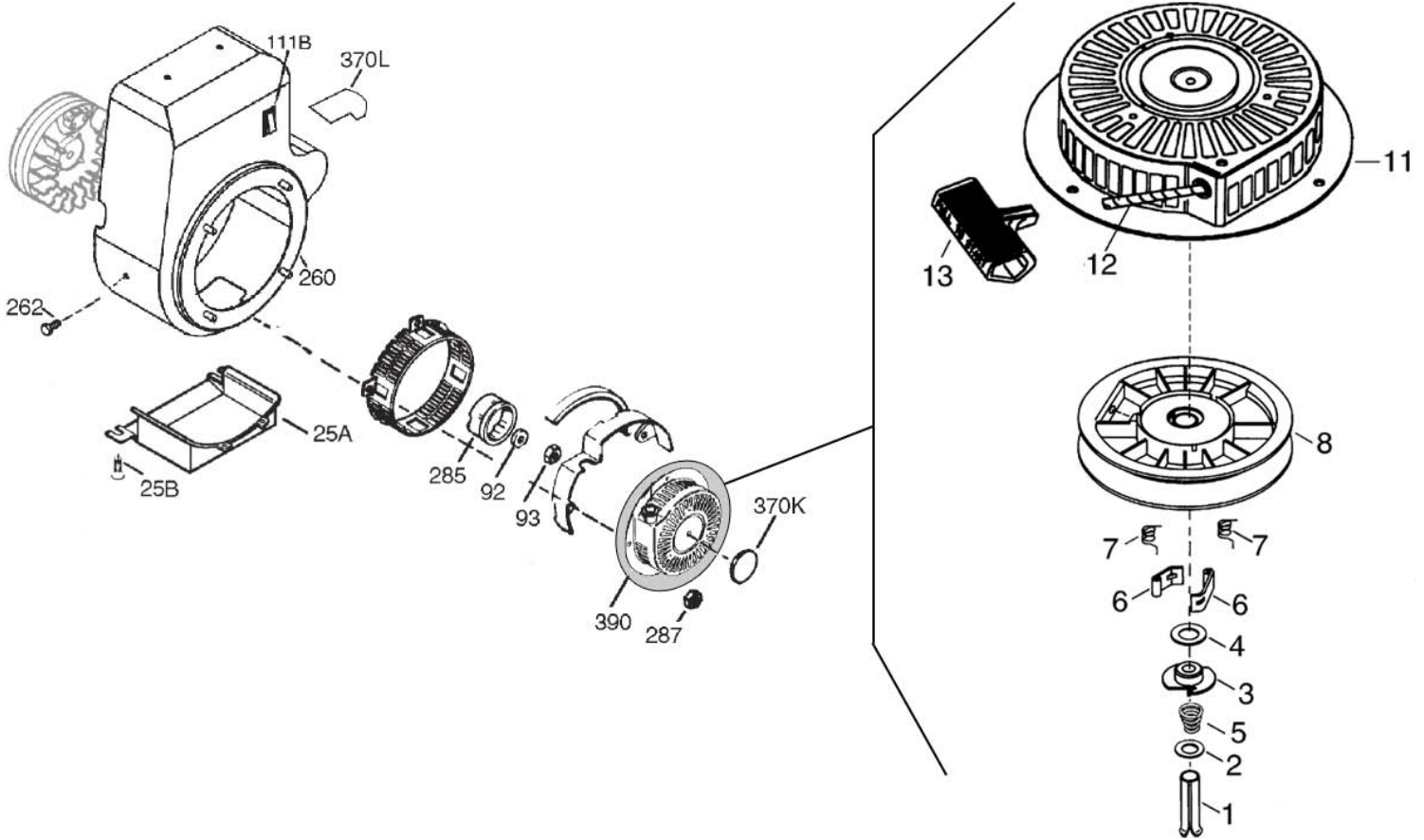
Key	Part #	Description	Qty.
1	631776A	Throttle Shaft & Lever Assembly	1
2	631970	Throttle Return Spring	1
4	631184	Dust Seal Washer	1
5	631183	Dust Seal (Throttle)	1
6	640109	Throttle Shutter	1
7	650506	Shutter Screw	2
10	632740	Choke Shaft & Lever Assembly	1
11	632043	Choke Return Spring	1
12	631184	Dust Seal Washer	1
13	631183	Dust Seal (Choke)	1
14	632799	Choke Shutter	1
15	630735	Choke Positioning Spring	1
16	632164	Fuel Fitting	1
17	651025	Throttle Crack Screw / Idle Speed Screw	1
18	630766	Tension Spring	1
20	640027	Idle Restrictor Screw	1
20A	640053	Idle Restrictor Screw Cap	1
25	631867	Float Bowl	1
27	631024	Float Shaft	1
28	632019	Float	1
29	631028	Float Bowl O-Ring	1
30	631021	Inlet Needle, Seat & Clip (Incl. 31)	1
31	631022	Spring Clip	1
36	640113	Main Nozzle Tube	1
37	632547	Main Nozzle Tube O-Ring	1
40	640114	High Speed Bowl Nut	1
44	27110A	Bowl Nut Washer	1
47	630748	Welch Plug, Idle Mixture Well	1
48	631027	Welch Plug, Atmospheric Vent	1
60	632760B	Repair Kit	1



HM100-GT ENGINE

Illustrated Parts Breakdown

RECOIL



Key	Part #	Description	Qty.	Key	Part #	Description	Qty.
1	590599A	Spring Pin	1	25A	36244	Air Baffle	1
2	590600	Washer	1	25B	651059	Screw 3/8-16 x 47/64"	1
3	590679	Retainer	1	92	650880	Lock Washer	1
4	590601	Washer	1	93	650881	Flywheel Nut	1
5	590678	Brake Spring	1	111B	611226	On/Off Rocker Switch	1
6	590680	Starter Dog	2	260	36468A	Blower Housing	1
7	590412	Dog Spring	2	262	29747B	Torx T-40 Screw 5/16-24 x 21/32"	1
8	590681	Pully & Rewind Spring Assy.	1	285	35985B	Starter Cup	1
11	590747A	Starter Housing Assy.	1	287	29752	Nut & Lock Washer	4
12	590535	Starter Rope (98" x 9/16")	1	370K	36695	Decal - Starter	1
13	590701	Starter handle	1	370L	36990	Decal - Low Oil	1
				390	590748A	Recoil Starter	1