

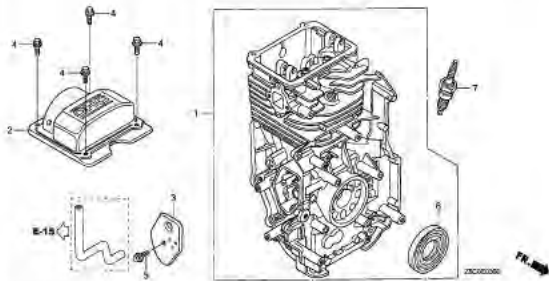
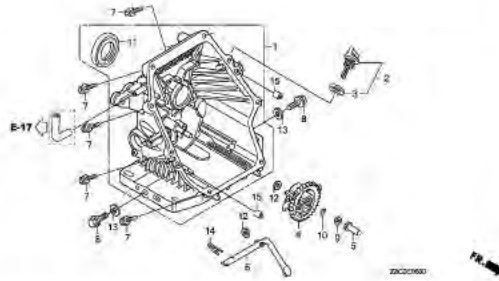
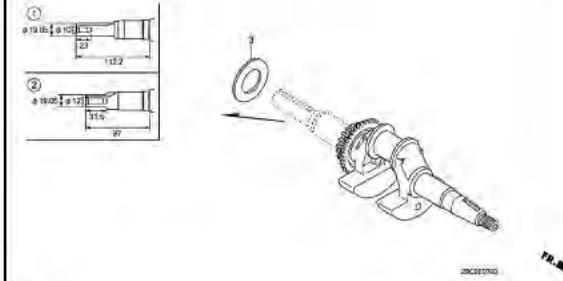
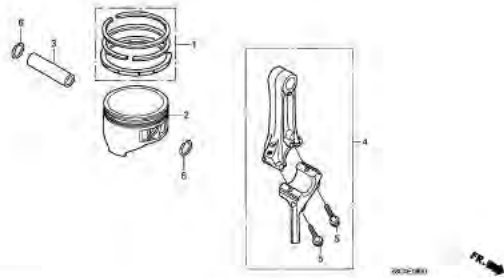
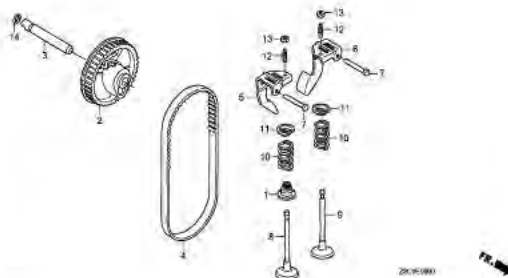
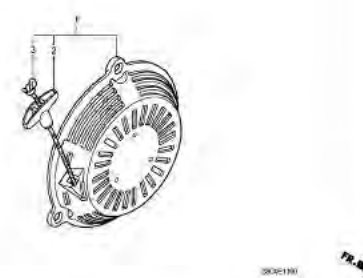
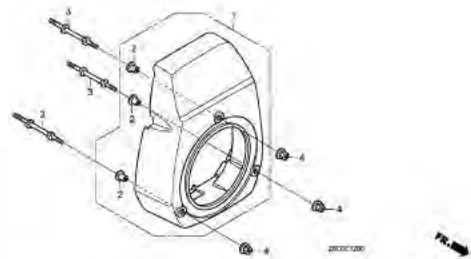
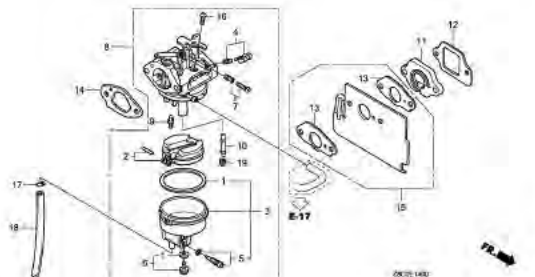
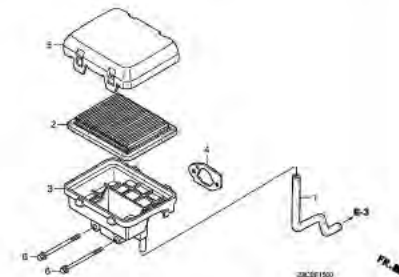
GENERAL PURPOSE ENGINE

GC190LA

PARTS CATALOGUE

1

ENGINE GROUP

B 8**E-3****CYLINDER BARREL****C 1****E-6****OIL PAN****C 2****E-7****CRANKSHAFT****C 3****E-8****PISTON/CONNECTING ROD****C 4****E-9****CAMSHAFT PULLEY****C 5****E-11****RECOIL STARTER****C 6****E-12****FAN COVER****C 7****E-14****CARBURETOR****C 8****E-15****AIR CLEANER****C 9****2**

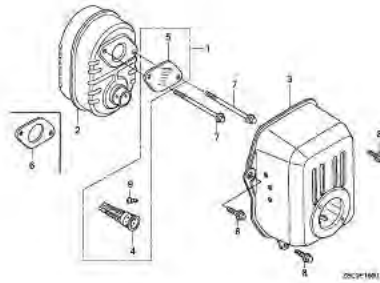
ENGINE GROUP

B 9

E-16

MUFFLER

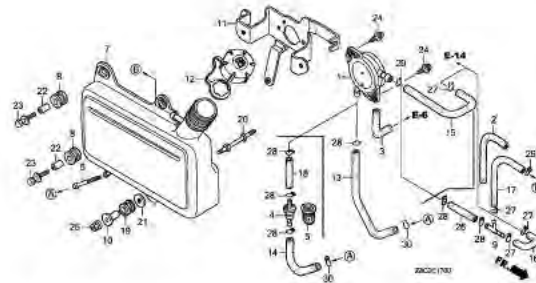
C10



E-17

FUEL TANK

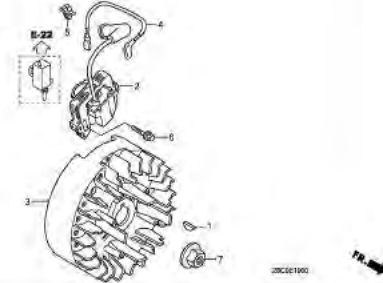
C11



E-19

FLYWHEEL

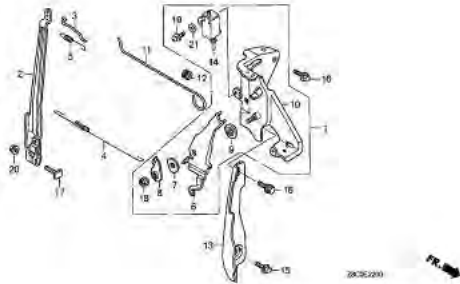
C13



E-22

CONTROL(1)

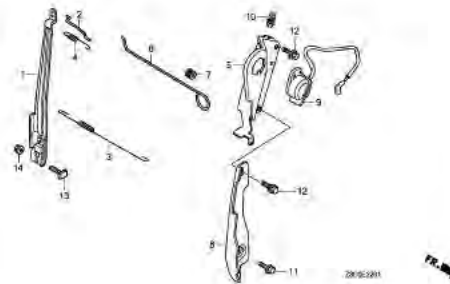
C14



E-22-1

CONTROL(2)

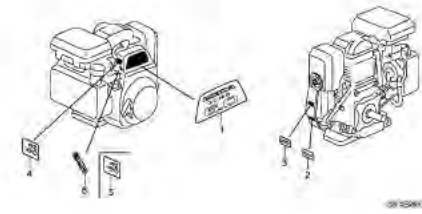
C15



E-28

LABEL

C16

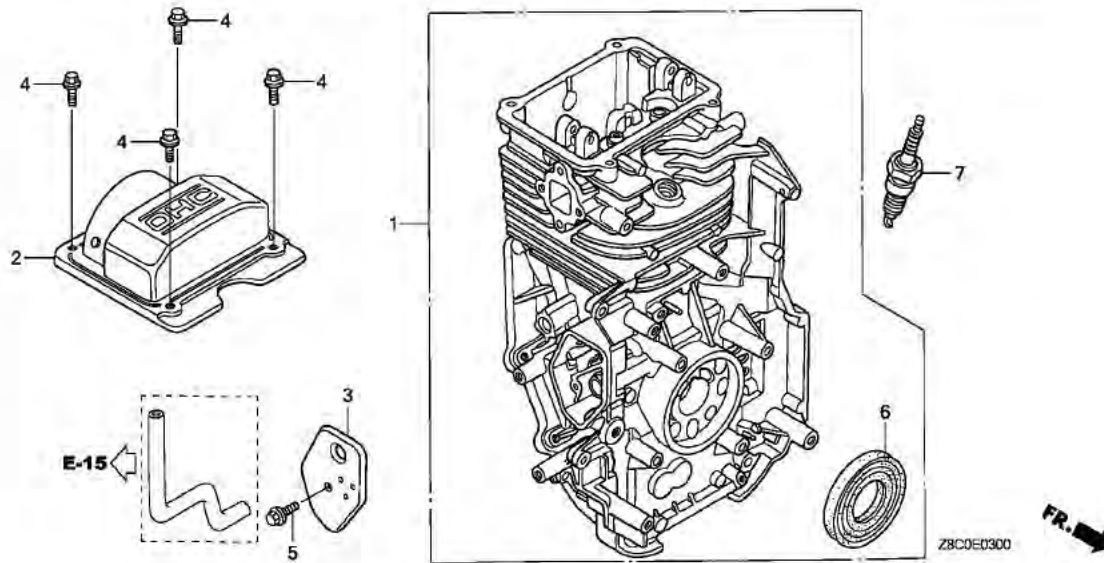


2

E-3

CYLINDER BARREL

C 1

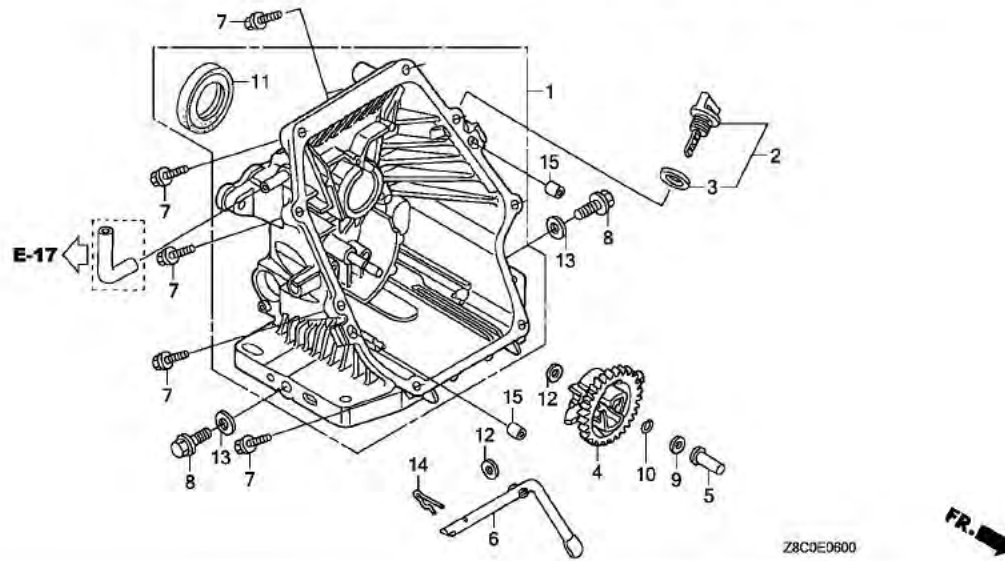


Service item

F.R.T.

2

| Ref. No. | Part No. | Description | Reqd. QTY | | Serial No. | Parts catalogue code |
|----------|---------------|--------------------------------|-----------------|--|------------|----------------------|
| | | | GC 190 LA | | | |
| 1 | 12000-Z1A-405 | BARREL ASSY., CYLINDER | 1 | | | |
| 2 | 12310-Z0J-000 | COVER COMP., CYLINDER HEAD ... | 1 | | | |
| 3 | 12355-ZL8-000 | COVER COMP., BREATHER | 1 | | | |
| 4 | 90013-883-000 | BOLT, FLANGE, 6X12(CT200) ... | 4 | | | |
| 5 | 90014-952-000 | BOLT, FLANGE, 6X14(CT200) ... | 1 | | | |
| 6 | 91201-ZL8-003 | OIL SEAL, 25.4X62X6 | 1 | | | |
| 7 | 98079-56846 | PLUG, SPARK (BPR6ES)(NGK) ... | 1 | | | |



Z8C0E0600



Service item

F.R.T.

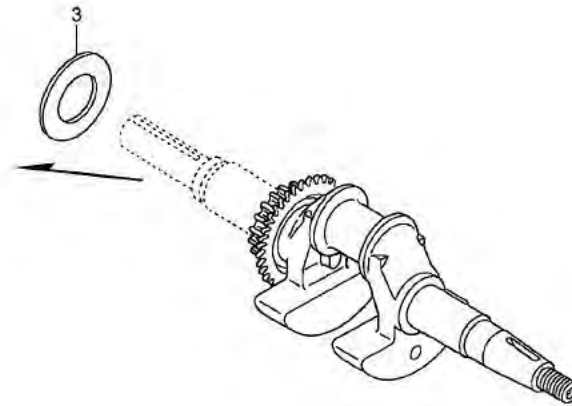
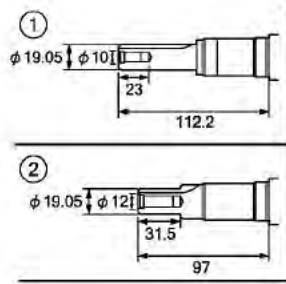
| Ref. No. | Part No. | Description | Reqd. QTY | | Serial No. | Parts catalogue code |
|----------|---------------|-------------------------------|-----------|-----|------------|----------------------|
| | | | GC | 190 | | |
| 1 | 11300-Z1A-406 | COVER ASSY., CRANKCASE | 1 | | | |
| 2 | 15600-ZF0-003 | CAP ASSY., OIL FILLER | 1 | | | |
| 3 | 15625-ZE1-003 | PACKING, OIL FILLER CAP | 1 | | | |
| 4 | 16510-ZL8-000 | GOVERNOR ASSY. | 1 | | | |
| 5 | 16531-ZE1-000 | SLIDER, GOVERNOR | 1 | | | |
| 6 | 16541-ZL8-000 | SHAFT, GOVERNOR ARM | 1 | | | |
| 7 | 90121-952-000 | BOLT, FLANGE, 6X25(CT200) ... | 8 | | | |
| 8 | 90131-883-000 | BOLT, DRAIN PLUG, 12X15 | 2 | | | |
| 9 | 90451-ZE1-000 | WASHER, THRUST, 6MM | 1 | | | |
| 10 | 90602-ZE1-000 | CLIP, GOVERNOR HOLDER | 1 | | | |
| 11 | 91202-ZL8-003 | OIL SEAL, 28X41.25X6 | 1 | | | |
| 12 | 94101-06800 | WASHER, PLAIN, 6MM | 2 | | | |
| 13 | 94109-12000 | WASHER, DRAIN PLUG, 12MM ... | 2 | | | |
| 14 | 94251-08000 | PIN, LOCK, 8MM | 1 | | | |
| 15 | 94301-08200 | DOWEL PIN, 8X20 | 2 | | | |



E-7

CRANKSHAFT

C 3



Z8CJE0700

Service item

F.R.T.

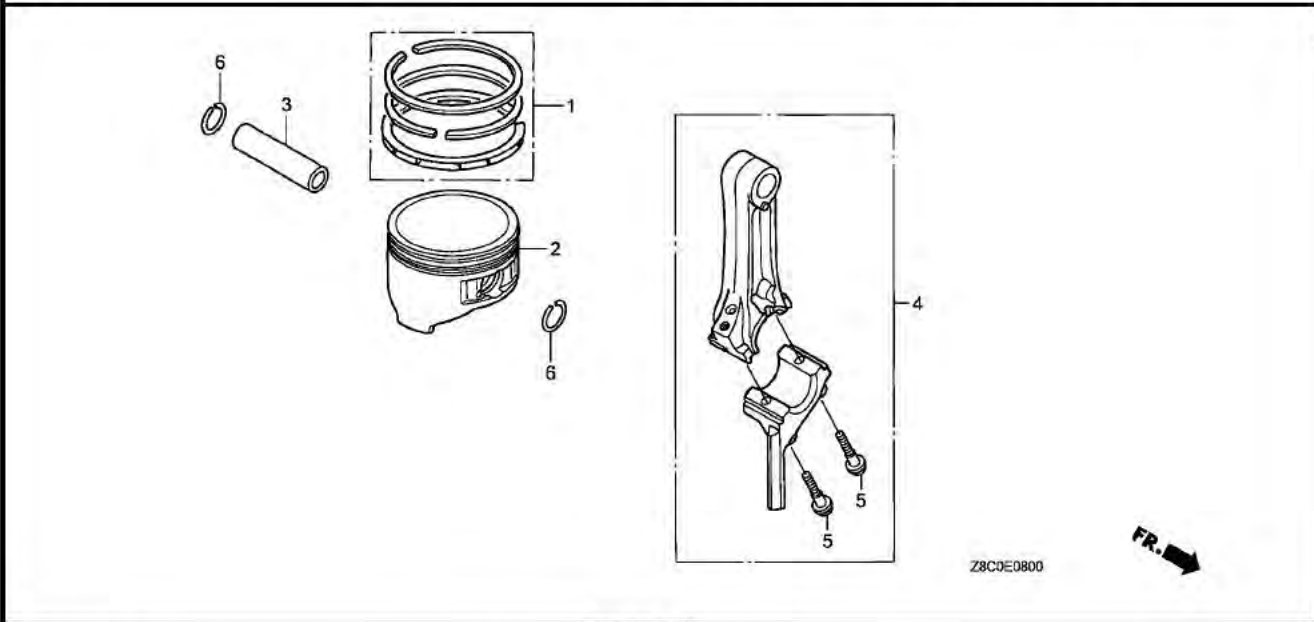
| Ref. No. | Part No. | Description | Reqd. QTY | | Serial No. | Parts catalogue code |
|----------|---------------|-----------------------|-----------|-------|------------|----------------------|
| | | | GC | 190 | | |
| 1 | 13310-Z1A-600 | CRANKSHAFT COMP. | 1 | ----- | ----- | QHAF,QHC |
| 2 | 13310-Z1A-660 | CRANKSHAFT COMP. | 1 | ----- | ----- | MHA2 |
| 3 | 90402-ZL8-000 | WASHER, THRUST | 1 | ----- | ----- | |

2

E-8

PISTON/CONNECTING ROD

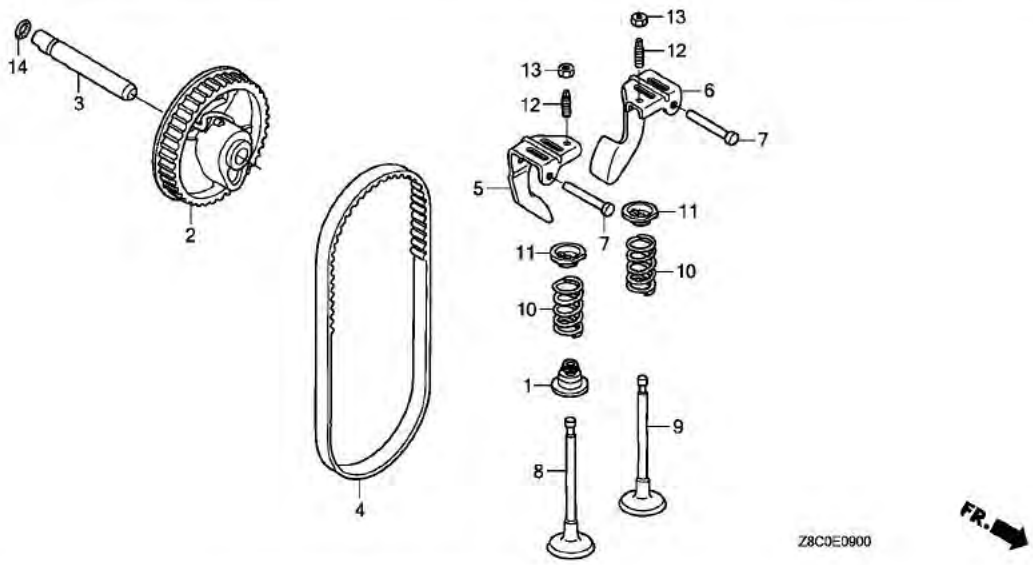
C 4



| Service item | F.R.T. |
|--------------|--------|
| | |

| Ref. No. | Part No. | Description | Reqd. QTY | | Serial No. | Parts catalogue code |
|----------|---------------|--------------------------------------|-----------|----|------------|----------------------|
| | | | GC | LA | | |
| 1 | 13010-Z0Y-014 | RING SET, PISTON (STD.) (TEIKOKU) | 1 | | | |
| 2 | 13101-Z0Y-010 | PISTON | 1 | | | |
| 3 | 13111-Z0Y-000 | PIN, PISTON | 1 | | | |
| 4 | 13200-Z0Y-000 | ROD ASSY., CONNECTING | 1 | | | |
| 5 | 90001-ZE1-000 | BOLT, CONNECTING ROD | 2 | | | |
| 6 | 90551-ZE0-000 | CLIP, PISTON PIN, 13MM | 2 | | | |

2



| Service item | F.R.T. |
|--------------|--------|
| | |

| Ref. No. | Part No. | Description | Reqd. QTY | | Serial No. | Parts catalogue code |
|----------|---------------|-------------------------------|-----------------|--|------------|----------------------|
| | | | GC 190 LA | | | |
| 1 | 12209-ZM0-003 | SEAL, VALVE STEM | 1 | | | |
| 2 | 14320-ZOY-000 | PULLEY COMP., CAMSHAFT | 1 | | | |
| 3 | 14324-ZL8-000 | SHAFT, CAM PULLEY | 1 | | | |
| 4 | 14400-ZOJ-014 | BELT, TIMING (84HU7 G-200) .. | 1 | | | |
| 5 | 14431-ZOJ-000 | ARM, IN. VALVE ROCKER | 1 | | | |
| 6 | 14441-ZOJ-000 | ARM, EX. VALVE ROCKER | 1 | | | |
| 7 | 14461-ZL8-000 | SHAFT, ROCKER ARM | 2 | | | |
| 8 | 14711-ZL8-000 | VALVE, IN. | 1 | | | |
| 9 | 14721-ZL8-000 | VALVE, EX. | 1 | | | |
| 10 | 14751-ZL8-000 | SPRING, VALVE | 2 | | | |
| 11 | 14771-ZOJ-000 | RETAINER, VALVE SPRING | 2 | | | |
| 12 | 90012-333-000 | SCREW, TAPPET ADJUSTING | 2 | | | |
| 13 | 90206-001-000 | NUT, TAPPET ADJUSTING | 2 | | | |
| 14 | 91301-ZM0-V31 | O-RING, 6.8X1.9(ARAI) | 1 | | | |

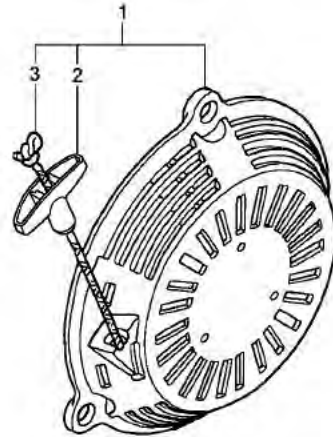
E-11

RECOIL STARTER

C 6

Service item

F.R.T.



Z8CDE1100

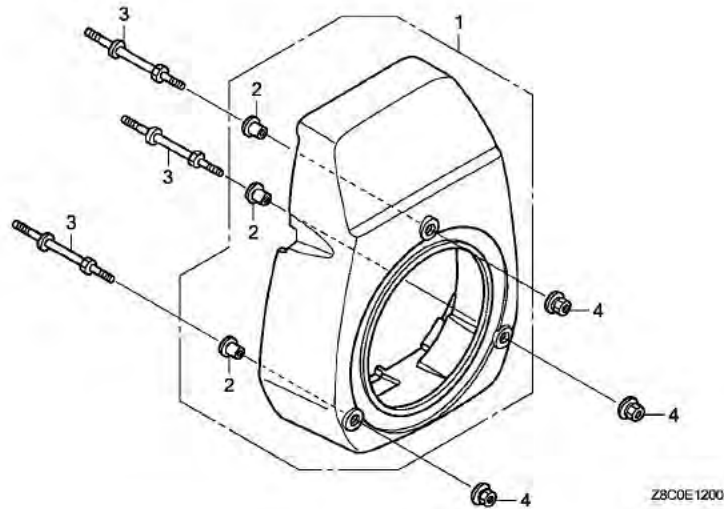


| Ref. No. | Part No. | Description | Reqd. QTY | | Serial No. | Parts catalogue code |
|----------|-----------------|-----------------------|-----------------|--|------------|----------------------|
| | | | GC 190 LA | | | |
| 1 | 28400-Z1A-013ZA | STARTER ASSY., RECOIL | | | | |
| | | *NH1*.....BLACK | 1 | | | |
| | 28400-Z1A-013ZB | *R280*.....POWER RED | 1 | | | |
| 2 | 28461-ZL8-003 | GRIP, STARTER | 1 | | | |
| 3 | 28462-ZL8-003 | ROPE, RECOIL STARTER | 1 | | | |

2

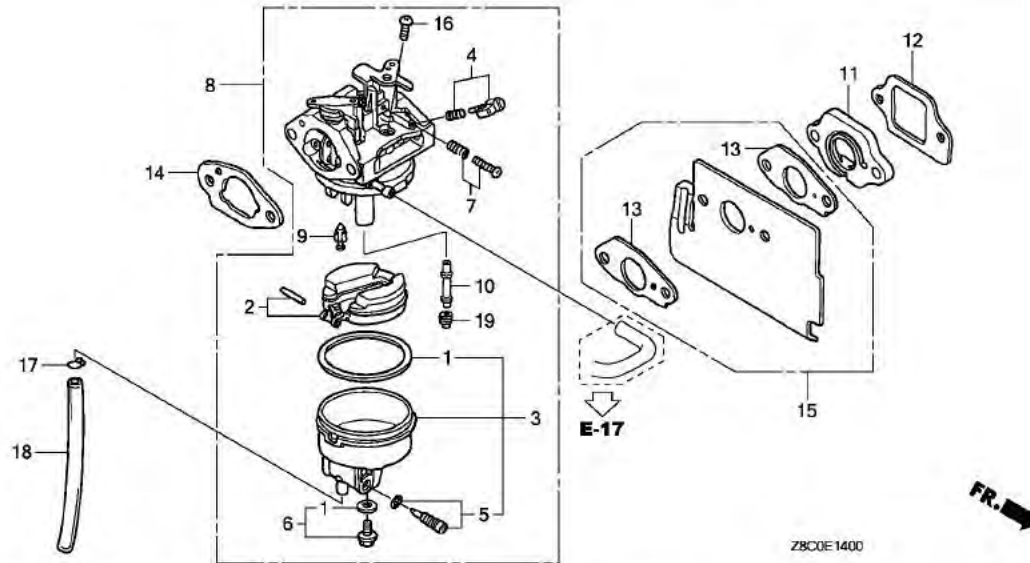
Service item

F.R.T.



2

| Ref. No. | Part No. | Description | Reqd. QTY | | Serial No. | Parts catalogue code |
|----------|-----------------|-------------------|-----------|----|------------|----------------------|
| | | | GC | LA | | |
| 1 | 19611-Z1A-000ZA | COVER, FAN | | | | |
| | | *NH1* | 1 | | | |
| | | BLACK | | | | |
| | 19611-Z1A-000ZB | *R280* | 1 | | | |
| | | POWER RED | | | | |
| 2 | 19619-ZL8-300 | COLLAR, FAN COVER | 3 | | | |
| 3 | 90043-ZL8-000 | BOLT, STUD | 3 | | | |
| 4 | 90201-ZM0-000 | NUT, FLANGE, 6MM | 3 | | | |



Service item

F.R.T.

| Ref. No. | Part No. | Description | Reqd. QTY | | Serial No. | Parts catalogue code |
|----------|----------------|---|-----------------|--|------------|----------------------|
| | | | GC 190 LA | | | |
| 1 | 16010-883-015 | PACKING SET | 1 | | | |
| 2 | 16013-ZL1-003 | FLOAT SET | 1 | | | |
| 3 | 16015-ZL8-003 | CHAMBER SET, FLOAT | 1 | | | |
| 4 | 16016-Z1A-003 | SCREW SET | 1 | | | |
| 5 | 16024-124-760 | SCREW SET, DRAIN | 1 | | | |
| 6 | 16028-ZE0-005 | SCREW SET | 1 | | | |
| 7 | 16029-ZG0-901 | SCREW SET (THROTTLE STOP) ... | 1 | | | |
| 8 | 16100-Z1A-801 | CARBURETOR ASSY. (BB61K A) .. | 1 | | | |
| 9 | 16155-ZL8-013 | VALVE COMP., FLOAT | 1 | | | |
| 10 | 16166-Z1A-003 | NOZZLE, MAIN | 1 | | | |
| 11 | 16211-ZL8-000 | INSULATOR, CARBURETOR | 1 | | | |
| 12 | 16212-ZL8-000 | PACKING, INSULATOR | 1 | | | |
| 13 | 16221-883-800 | PACKING, CARBURETOR | 2 | | | |
| 14 | 16228-ZL8-000 | PACKING, CARBURETOR | 1 | | | |
| 15 | 19650-ZL8-000 | GUIDE COMP., AIR | 1 | | | |
| 16 | 93500-05006-1H | SCREW, PAN, 5X6 | 1 | | | |
| 17 | 95002-02650 | CLIP, TUBE (B6.5) | 1 | | | |
| 18 | 95003-07015-31 | TUBE, VINYL, 4X7X150 (95003-07001-60M) | 1 | | | |
| 19 | 99101-124-0620 | JET, MAIN, #62 | (1) | | | |
| | 99101-124-0650 | JET, MAIN, #65 | (1) | | | |
| | 99101-124-0680 | JET, MAIN, #68 | 1 | | | |

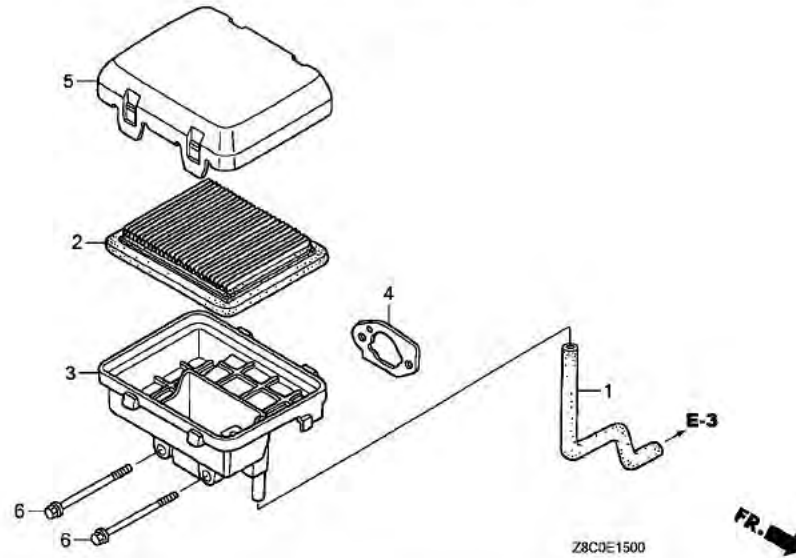
E-15

AIR CLEANER

C 9

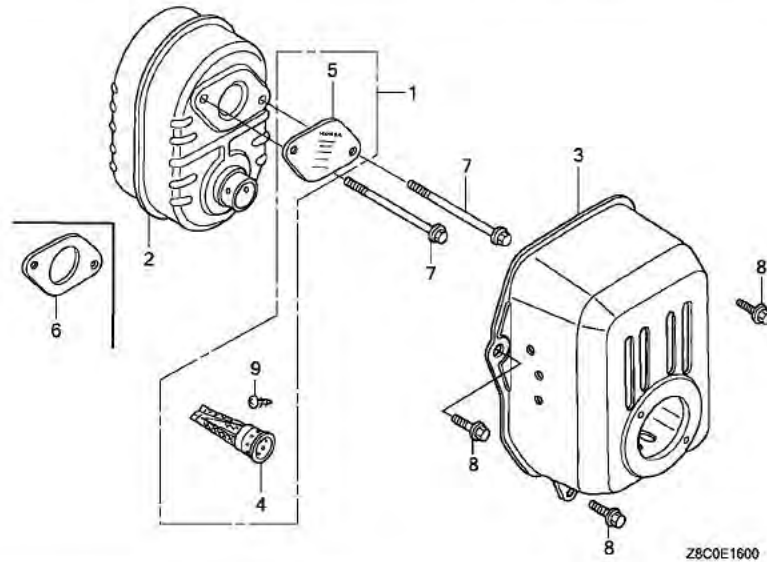
Service item

F.R.T.



2

| Ref. No. | Part No. | Description | Reqd. QTY | | Serial No. | Parts catalogue code |
|----------|---------------|-------------------------------|-----------------|--|------------|----------------------|
| | | | GC 190 LA | | | |
| 1 | 15721-ZL8-000 | TUBE, BREATHER | 1 | | | |
| 2 | 17211-ZL8-023 | ELEMENT, AIR CLEANER | 1 | | | |
| 3 | 17220-ZL8-000 | CASE COMP., AIR CLEANER | 1 | | | |
| 4 | 17228-ZL8-000 | PACKING, AIR CLEANER | 1 | | | |
| 5 | 17231-Z0J-020 | COVER, AIR CLEANER | 1 | | | |
| 6 | 90003-ZL8-000 | BOLT, FLANGE, 6X112(CT200) .. | 2 | | | |



Service item

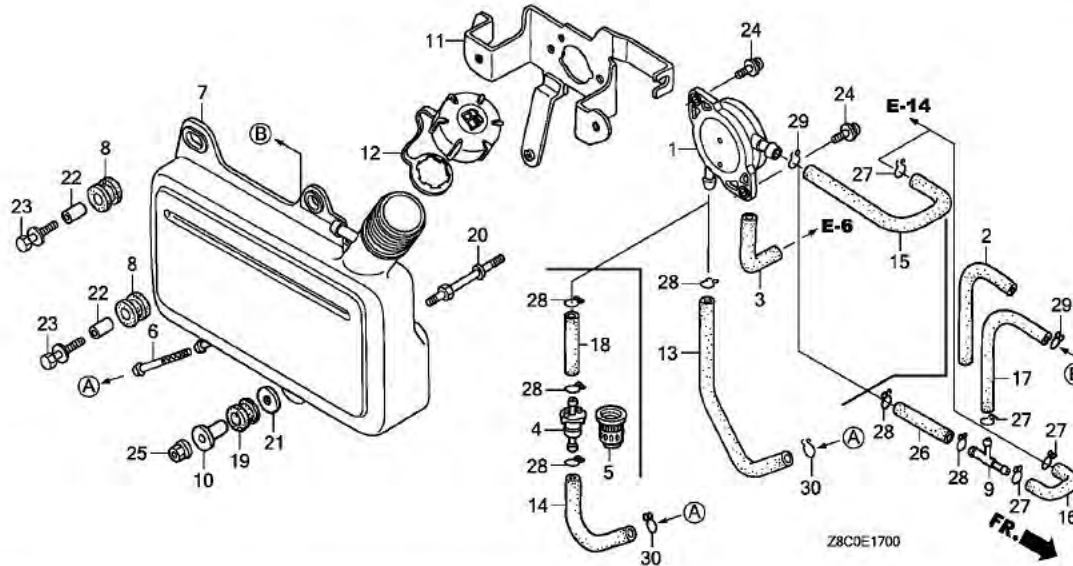
F.R.T.

| Ref. No. | Part No. | Description | Reqd. QTY | | Serial No. | Parts catalogue code |
|----------|---------------|-------------------------------|-----------|----|------------|----------------------|
| | | | GC | LA | | |
| 1 | 06180-Z0J-000 | ARRESTER KIT, SPARK | (1) | | | |
| 2 | 18310-Z0Y-000 | MUFFLER COMP. | 1 | | | |
| 3 | 18321-Z0L-000 | PROTECTOR, MUFFLER | 1 | | | |
| 4 | 18350-ZL8-000 | ARRESTER COMP., SPARK | (1) | | | |
| 5 | 18356-ZL8-000 | PLATE, ARRESTER NUMBER | (1) | | | |
| 6 | 18381-ZL8-305 | GASKET, MUFFLER | (1) | | | |
| 7 | 90004-ZL8-000 | BOLT, FLANGE, 6X79(CT200) ... | 2 | | | |
| 8 | 90013-883-000 | BOLT, FLANGE, 6X12(CT200) ... | 3 | | | |
| 9 | 90055-ZE1-000 | SCREW, TAPPING, 4X6 | (1) | | | |

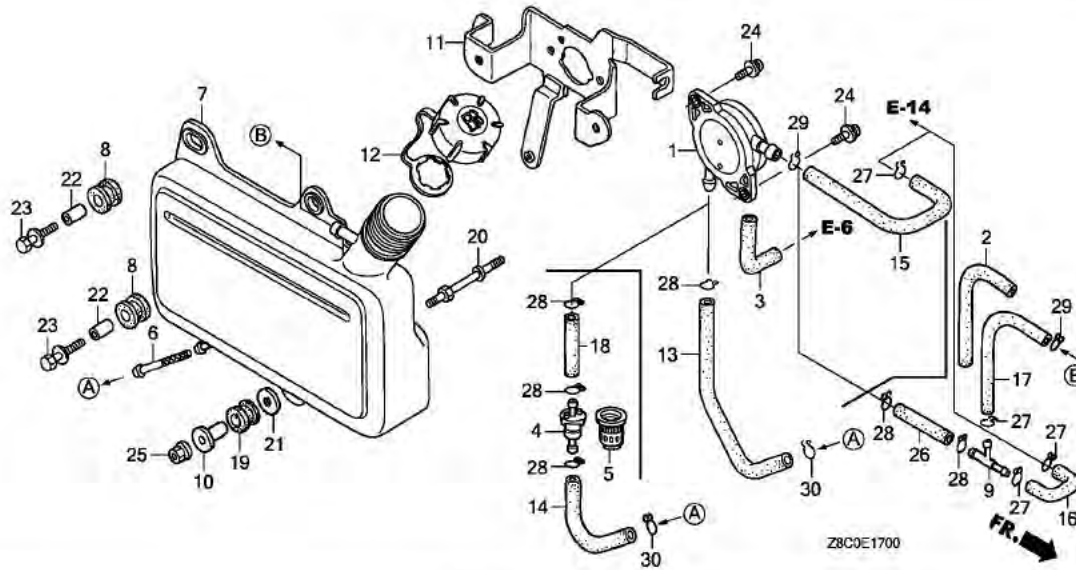
2

Service item

F.R.T.



| Ref. No. | Part No. | Description | Reqd. QTY | | Serial No. | Parts catalogue code |
|----------|----------------|-------------------------------|-----------------|-------|------------|----------------------|
| | | | GC 190 LA | | | |
| 1 | 16700-Z0J-003 | PUMP ASSY., FUEL | 1 | | | |
| 2 | 16854-ZH8-000 | RUBBER, SUPPORTER (107MM) ... | 1 | ----- | ----- | MHA2 |
| 3 | 16882-ZL8-000 | TUBE, DIAPHRAGM | 1 | ----- | ----- | |
| 4 | 16910-ZV4-015 | STRAINER COMP., FUEL | 1 | ----- | ----- | MHA2 |
| 5 | 16915-ZV4-000 | SUSPENSION, STRAINER | 1 | ----- | ----- | MHA2 |
| 6 | 16952-ZA8-800 | STRAINER, FUEL | 1 | ----- | ----- | QHAF,QHC |
| 7 | 17511-Z0J-000 | TANK, FUEL | 1 | ----- | ----- | QHAF,QHC |
| | 17511-Z0J-800 | | 1 | ----- | ----- | MHA2 |
| 8 | 17516-ZV0-000 | RUBBER B, TANK MOUNTING | 2 | | | |
| 9 | 17519-ZL8-800 | JOINT, FUEL TUBE | 1 | ----- | ----- | MHA2 |
| 10 | 17535-166-000 | COLLAR, FR. COVER SETTING ... | 1 | | | |
| 11 | 17561-Z0J-000 | STAY A, FUEL TANK | 1 | | | |
| 12 | 17620-Z0J-800 | CAP ASSY., FUEL TANK | 1 | | | |
| 13 | 17701-ZL8-000 | TUBE, FUEL TANK | 1 | ----- | ----- | QHAF,QHC |
| 14 | 17701-ZL8-800 | TUBE, FUEL TANK | 1 | ----- | ----- | MHA2 |
| 15 | 17702-ZL8-000 | TUBE, FUEL | 1 | ----- | ----- | QHAF,QHC |
| 16 | 17702-ZL8-800 | TUBE, FUEL | 1 | ----- | ----- | MHA2 |
| 17 | 17703-ZL8-800 | TUBE, FUEL RETURN | 1 | ----- | ----- | MHA2 |
| 18 | 17704-ZL8-800 | TUBE, FUEL PUMP | 1 | ----- | ----- | MHA2 |
| 19 | 80103-MG2-000 | CUSHION, RR. FENDER | 1 | | | |
| 20 | 90041-ZL8-000 | BOLT, FUEL TANK STUD | 1 | | | |
| 21 | 90473-896-000 | WASHER, 6MM | 1 | | | |
| 22 | 90501-KA2-640 | COLLAR, 14X6.1 | 2 | | | |
| 23 | 93404-06025-00 | BOLT-WASHER, 6X25 | 2 | | | |
| 24 | 93894-05014-00 | SCREW-WASHER, 5X14 | 2 | | | |

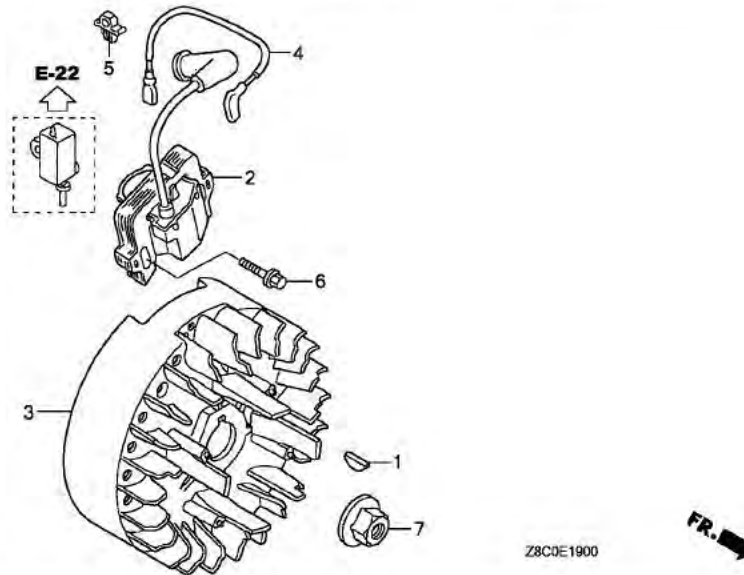


| Ref. No. | Part No. | Description | Reqd. QTY | | Serial No. | Parts catalogue code |
|----------|----------------|---|-----------------|-------|------------|----------------------|
| | | | GC 190 LA | | | |
| 25 | 94050-06000 | NUT, FLANGE, 6MM | 1 | | | |
| 26 | 95001-55033-40 | TUBE, FUEL, 5.3X33 (95001-55001-60M) | 1 | ----- | MHA2 | |
| 27 | 95002-02080 | CLIP, TUBE (B8) | 1 | ----- | QHAF, QHC | |
| 28 | 95002-02100 | CLIP, TUBE (B10) | 1 | ----- | MHA2 | |
| 28 | 95002-02100 | CLIP, TUBE (B10) | 1 | ----- | QHAF, QHC | |
| 28 | 95002-02100 | CLIP, TUBE (B10) | 5 | ----- | MHA2 | |
| 29 | 95002-50000 | CLIP, TUBE (C9) | 1 | | | |
| 30 | 95002-70000 | CLIP, TUBE (C11) | 1 | | | |

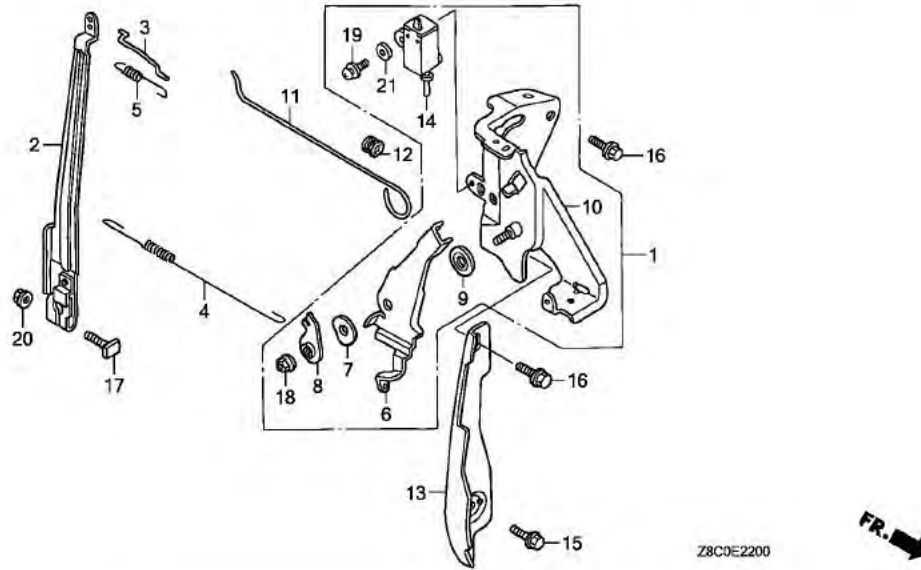


Service item

F.R.T.



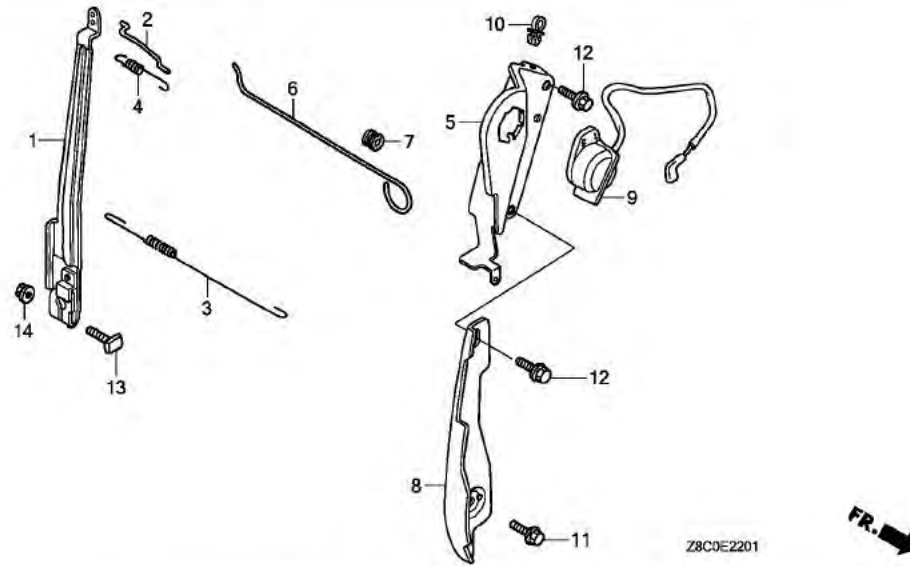
| Ref. No. | Part No. | Description | Reqd. QTY | Serial No. | Parts catalogue code |
|----------|---------------|--|-----------------|------------|----------------------|
| | | | GC 190 LA | | |
| 1 | 13331-357-000 | KEY, SPECIAL WOODRUFF, 25X18 | 1 | | |
| 2 | 30500-Z0J-003 | COIL ASSY., IGNITION (PHELON) (USE FOR F/W OF PHELON) | 1 | | |
| 3 | 31110-Z0J-013 | FLYWHEEL COMP. (PHELON) (USE FOR IGN. COIL OF PHELON) | 1 | | |
| 4 | 32195-Z0J-000 | CORD, STOP SWITCH | 1 | ----- | MHA2,QHC |
| 5 | 36103-ZE1-000 | HOLDER, STOP SWITCH CORD (NIFCO) | 1 | ----- | MHA2,QHC |
| | 51125-Z0L-003 | HOLDER, WIRE (FASTEX) | 1 | ----- | MHA2,QHC |
| 6 | 90022-888-010 | BOLT, FLANGE, 6X20(CT200) ... | 1 | | |
| 7 | 90213-S3Y-000 | NUT, FLANGE, 14MM | 1 | | |



Service item

F.R.T.

| Ref. No. | Part No. | Description | Reqd. QTY | | Serial No. | Parts catalogue code |
|----------|----------------|--------------------------------|-----------------|-------|------------|----------------------|
| | | | GC 190 LA | | | |
| 1 | 16500-ZL8-000 | CONTROL ASSY. | 1 | ----- | ----- | MHA2,QHC |
| 2 | 16551-ZL8-000 | ARM, GOVERNOR | 1 | ----- | ----- | MHA2,QHC |
| 3 | 16555-ZL8-000 | ROD, GOVERNOR | 1 | ----- | ----- | MHA2,QHC |
| 4 | 16561-Z0J-000 | SPRING, GOVERNOR | 1 | ----- | ----- | MHA2,QHC |
| 5 | 16562-ZL8-800 | SPRING, THROTTLE RETURN | 1 | ----- | ----- | MHA2,QHC |
| 6 | 16571-ZL8-000 | LEVER, CONTROL | 1 | ----- | ----- | MHA2,QHC |
| 7 | 16574-ZE1-000 | SPRING, LEVER | 1 | ----- | ----- | MHA2,QHC |
| 8 | 16575-ZL8-000 | WASHER, CONTROL LEVER (###) .. | 1 | ----- | ----- | MHA2,QHC |
| 9 | 16578-ZE1-000 | SPACER, CONTROL LEVER | 1 | ----- | ----- | MHA2,QHC |
| 10 | 16580-ZL8-000 | BASE COMP., CONTROL (###) ... | 1 | ----- | ----- | MHA2,QHC |
| 11 | 16611-ZL8-000 | ROD, CHOKE CONTROL | 1 | ----- | ----- | MHA2,QHC |
| 12 | 16613-893-000 | GROMMET, CHOKE ROD | 1 | ----- | ----- | MHA2,QHC |
| 13 | 19612-Z0L-000 | PLATE, SIDE | 1 | ----- | ----- | MHA2,QHC |
| 14 | 35120-ZL8-003 | SWITCH ASSY., ENGINE STOP | | | | |
| | | (N.O) | 1 | ----- | ----- | MHA2,QHC |
| 15 | 90013-883-000 | BOLT, FLANGE, 6X12(CT200) ... | 1 | ----- | ----- | MHA2,QHC |
| 16 | 90014-952-000 | BOLT, FLANGE, 6X14(CT200) ... | 2 | ----- | ----- | MHA2,QHC |
| 17 | 90015-ZE5-010 | BOLT, GOVERNOR ARM | 1 | ----- | ----- | MHA2,QHC |
| 18 | 90114-SA0-000 | NUT, SELF-LOCK, 6MM | 1 | ----- | ----- | MHA2,QHC |
| 19 | 93892-04012-00 | SCREW-WASHER, 4X12 | 1 | ----- | ----- | MHA2,QHC |
| 20 | 94050-06000 | NUT, FLANGE, 6MM | 1 | ----- | ----- | MHA2,QHC |
| 21 | 94103-04000 | WASHER, PLAIN, 4MM | 1 | ----- | ----- | MHA2,QHC |



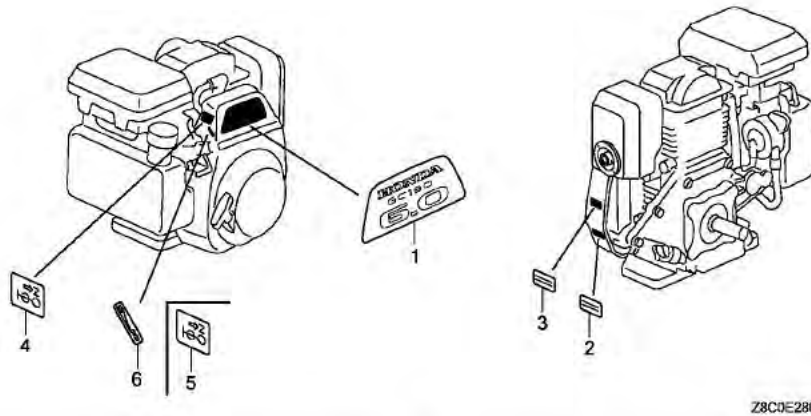
Service item

F.R.T.

| Ref. No. | Part No. | Description | Reqd. QTY | | Serial No. | Parts catalogue code |
|----------|---------------|-------------------------------|-----------------|-------|------------|----------------------|
| | | | GC 190 LA | | | |
| 1 | 16551-ZL8-000 | ARM, GOVERNOR | 1 | ----- | ----- | QHAF |
| 2 | 16555-ZL8-000 | ROD, GOVERNOR | 1 | ----- | ----- | QHAF |
| 3 | 16561-ZOJ-000 | SPRING, GOVERNOR | 1 | ----- | ----- | QHAF |
| 4 | 16562-ZL8-800 | SPRING, THROTTLE RETURN | 1 | ----- | ----- | QHAF |
| 5 | 16581-ZOJ-800 | BASE, CONTROL | 1 | ----- | ----- | QHAF |
| 6 | 16611-ZL8-000 | ROD, CHOKE CONTROL | 1 | ----- | ----- | QHAF |
| 7 | 16613-893-000 | GROMMET, CHOKE ROD | 1 | ----- | ----- | QHAF |
| 8 | 19612-ZOL-000 | PLATE, SIDE | 1 | ----- | ----- | QHAF |
| 9 | 35120-ZOJ-801 | SWITCH ASSY., ENGINE STOP ... | 1 | ----- | ----- | QHAF |
| 10 | 51125-ZOL-003 | HOLDER, WIRE (FASTEX) | 1 | ----- | ----- | QHAF |
| | 90681-959-003 | CLIP A, CABLE (NIFCO) | 1 | ----- | ----- | QHAF |
| 11 | 90013-883-000 | BOLT, FLANGE, 6X12(CT200) ... | 1 | ----- | ----- | QHAF |
| 12 | 90014-952-000 | BOLT, FLANGE, 6X14(CT200) ... | 2 | ----- | ----- | QHAF |
| 13 | 90015-ZE5-010 | BOLT, GOVERNOR ARM | 1 | ----- | ----- | QHAF |
| 14 | 94050-06000 | NUT, FLANGE, 6MM | 1 | ----- | ----- | QHAF |

Service item

F.R.T.



Z8C0E2800

| Ref. No. | Part No. | Description | Reqd. QTY | | Serial No. | Parts catalogue code |
|----------|---------------|--|-----------------|-------|------------|----------------------|
| | | | GC 190 LA | | | |
| 1 | 87101-Z1A-000 | MARK, EMBLEM (6.0) | 1 | | | |
| 2 | 87114-ZH7-821 | LABEL, WARNING (NOT CERTIFIED FOR SALE) | 1 | ----- | ----- | MHA2,QHC |
| 3 | 87114-ZH7-821 | LABEL, WARNING (NOT CERTIFIED FOR SALE) | 1 | ----- | ----- | QHAF |
| 4 | 87528-ZL8-000 | MARK, CHOKE | 1 | ----- | ----- | MHA2,QHC |
| 5 | 87528-ZL8-000 | MARK, CHOKE | 1 | ----- | ----- | QHAF |
| 6 | 87532-ZL8-800 | MARK, THROTTLE INDICATION ... | 1 | ----- | ----- | MHA2,QHC |

