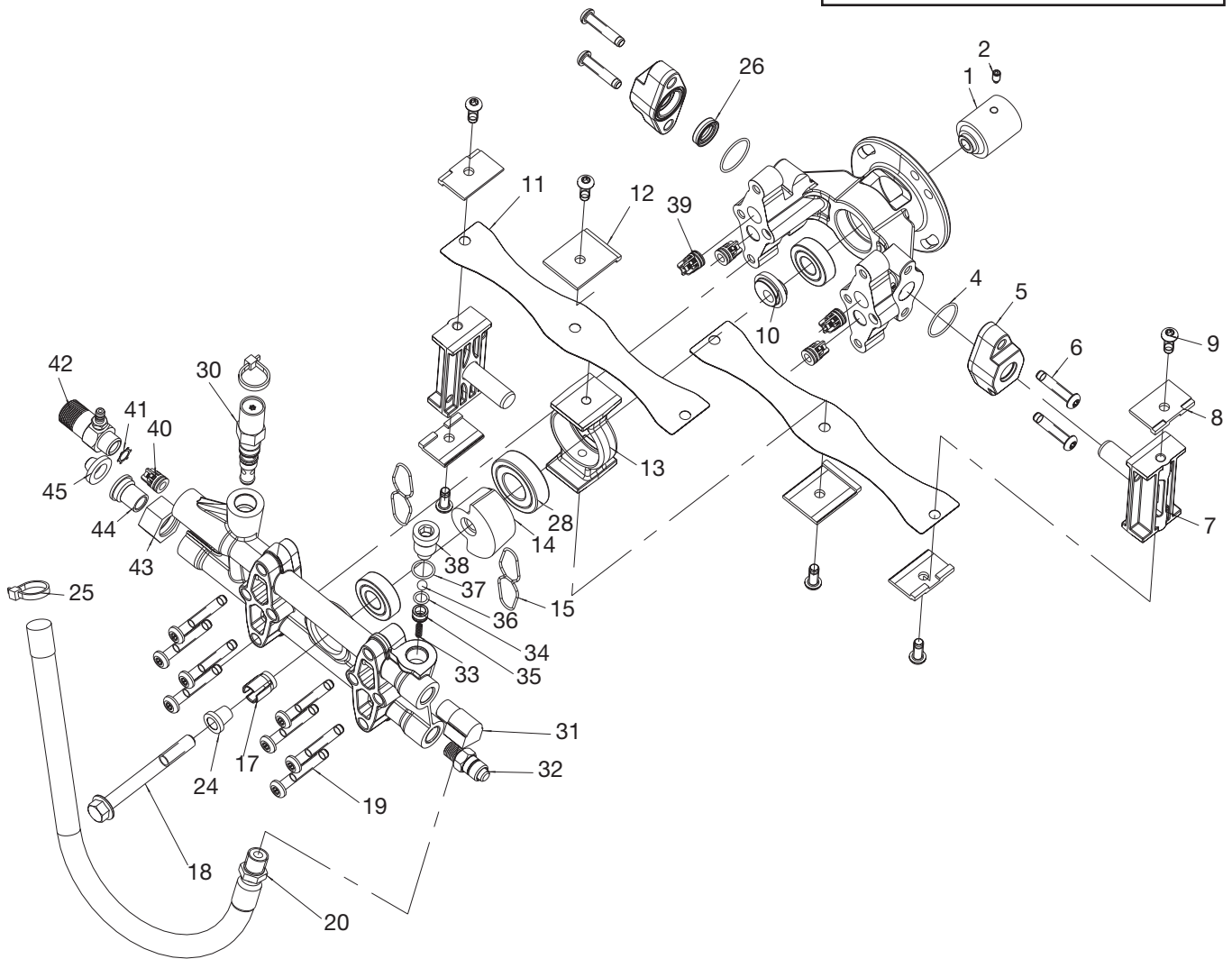
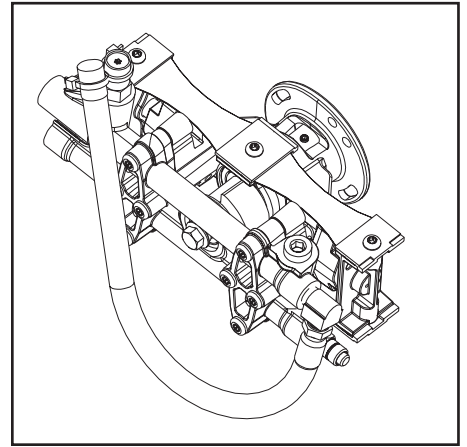


D27983- DeVILBISS PUMP



January, 2003

D27983 - DeVILBISS PUMP PARTS LIST

<u>Key#</u>	<u>Part #</u>	<u>Description</u>
1	D25054	Engine Shaft
2	D25006	Screw, Set 1/4-28 x .438
4	*	O-Ring, #25 DUROMETER
5	D21254	Journal Body Assembly
6	D25565	Screw, 5/16-18 x1.5 Gr 8
7	*	Piston Assembly
8	D20949	Clamp Block End
9	D25566	Screw, 5/16-18 x .75 Gr 8
10	D26774	Shaft, Bearing Couple
11	D20995	Strap, 2 Cylinder
12	D20948	Clamp Block Middle Strap
13	D21258	Ring Radial Assembly
14	D26773	Shaft, Counterweight
15	*	O-Ring, Pump Head
17	D20997	Shaft, Bearing
18	D22684	Bolt, 7/16-14 Gr 8
19	D25567	Screw, 5/16-18 x 2.13 Gr 8
20	D24573	Hose, 3/8 x 18" 2200 PSI
24	D22683	Wedge, Machined Screw
25	16804	Cable Tie
26	*	Seal, 16mm
28	-----	Bearing included in Key#13
30	18139	Unloader Assembly, 2200 PSI
31	F217	Elbow, 3/8"
32	16848	Thermal Relief Valve
33	D20993	Spring, Easy Start
34	D21259	O-Ring
35	D21256	Seat, Easy Start
36	D20994	Ball, 5/16
37	*	O-Ring, Valve Plug
38	D21141	Plug, Valve
39	*	Valve Assembly
40	*	Valve Assembly, 45° with o-ring
41	*	Ring, Retaining
42	17249	Chemical Injector
43	H061	Swivel Nut, Gardenhose
44	H068	Swivel, 3/8"
45	F187	Screen, Gardenhose

*** Kits available :**

D23511 Valve Kit includes key Include key#'s 39 (qty 4), 40 (qty1), 41 (qty 1)

D23514 Seal Kit Include key#'s 4 (qty 2), 15 (qty2), 26 (qty 2), 37 (qty 1)

D23486 Piston Kit Includes key # 7 (qty 2)

General Information:

Pump Kit contains: H061 garden hose swivel nut, H068 3/8 NPT garden hose swivel, F187 screen, 17249 chemical injector, H140 chemical hose, 15167 screw (5/16-24 x3/4"), F035 Quick Connect, D25006 Set Screw

This pump does not use oil.

D27983- DeVILBISS PUMP REPAIR KIT

D23511 Valve Kit

contains Key#s 39 (qty 4), 40 (qty 1), and 41 (qty 1)



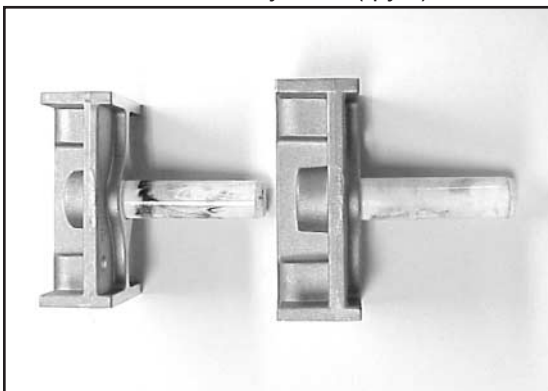
D23514 Seal Kit

contains Key#s 4 (qty 2),
15 (qty 2), 26 (qty 2), and 37 (qty1)



D23486 Pistonl Kit

contains Key #s 7 (qty 2)



January, 2003