

# Parts List D22629

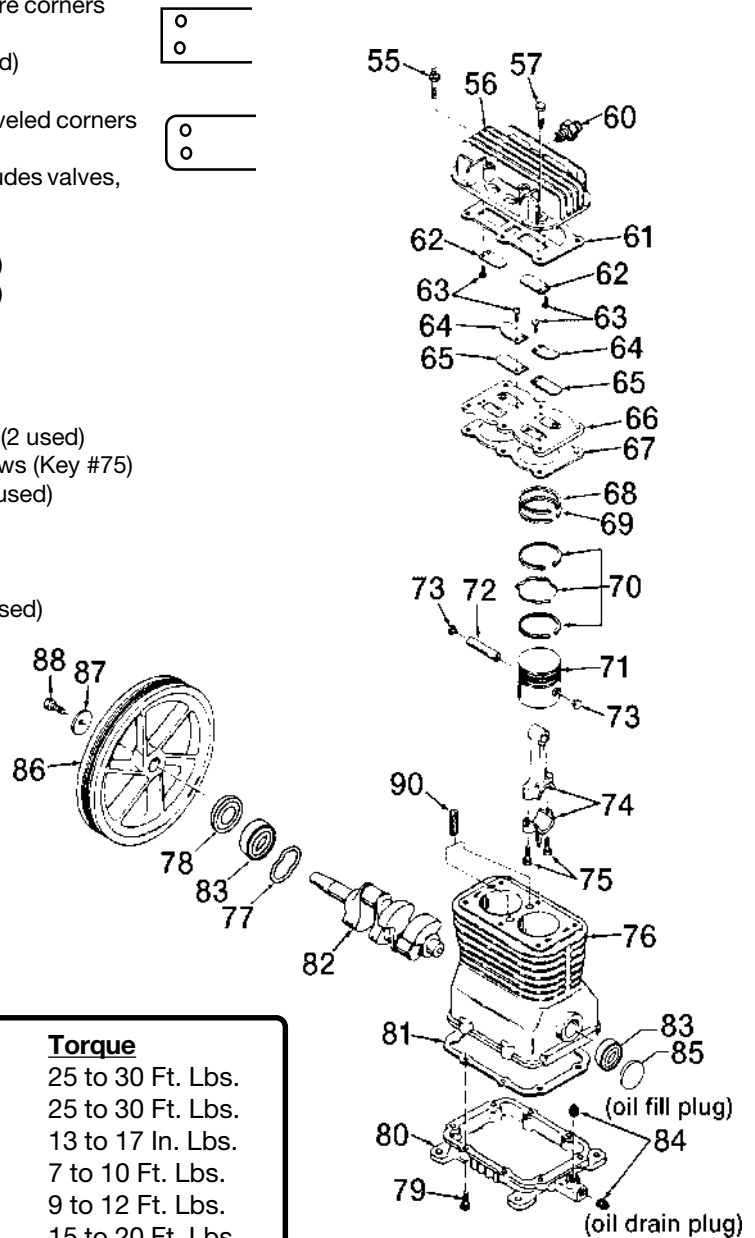
## Oil Lube Compressor Assembly

KEY NO.	PART NUMBER	DESCRIPTION
	55	Stud 3/8"-16 both ends (1 used)
	56	Head assembly (includes valves and screws)
	57	Screw, 3/8"-16 x 1 1/2" (5 used)
	60	Connector body
✓	61	Head gasket
•	62	Intake flapper valve - square corners (2 used on head)
•	63	Screw #5-40 x 1/4" (8 used)
	64	Restrictor plate (2 used)
•	65	Exhaust flapper valve - beveled corners (2 used on valve plate)
	66	Valve plate assembly (includes valves, restrictors and screws)
✓	67	Valve plate gasket
✗	68	Compression ring (2 used)
✗	69	Compression ring (2 used)
✗	70	Oil rings and expanders
	71	Piston (2 used)
	72	Piston pin (2 used)
	73	Piston pin plug (4 used)
	74	Connecting rod assembly (2 used) Includes (2) SSF-927 screws (Key #75)
	75	Screw, 1/4-20 x 1 1/8" (4 used)
	76	Crankcase and cylinder
	77	Wavy washer
	78	Oil Seal
	79	Screw, 1/4"-20 x 7/8" (8 used)
	80	Base
✓	81	Base gasket
	82	Crankshaft
	83	Ball bearing (2 used)
	84	Pipe plug (2 used)
	85	Oil plug
	86	265-2 Flywheel
	87	SSN-1014-ZN Belleville washer
	88	SSF-3039-ZN Cap screw
	90	265-6 Vent Filter (2 used)

**NOT SHOWN**  
265-17 Filter

- ✗ Available as part of Ring Kit KK-4313.
- ✓ Available as part of Gasket Kit K-0159.
- Available in Valve Kit KK-4275.

Key No.	Torque
55	25 to 30 Ft. Lbs.
57	25 to 30 Ft. Lbs.
63	13 to 17 In. Lbs.
75	7 to 10 Ft. Lbs.
79	9 to 12 Ft. Lbs.
88	15 to 20 Ft. Lbs.



### Recommended Oils - One Stage Compressor Units

Use a compressor oil such as SAE 20-20W SF motor oil. (Crankcase oil capacity is 16 fluid ounces.) Under extreme winter conditions use 10 weight oil. Multiviscosity oil, 10W30, will leave carbon deposits on critical components, reducing performance and compressor life.