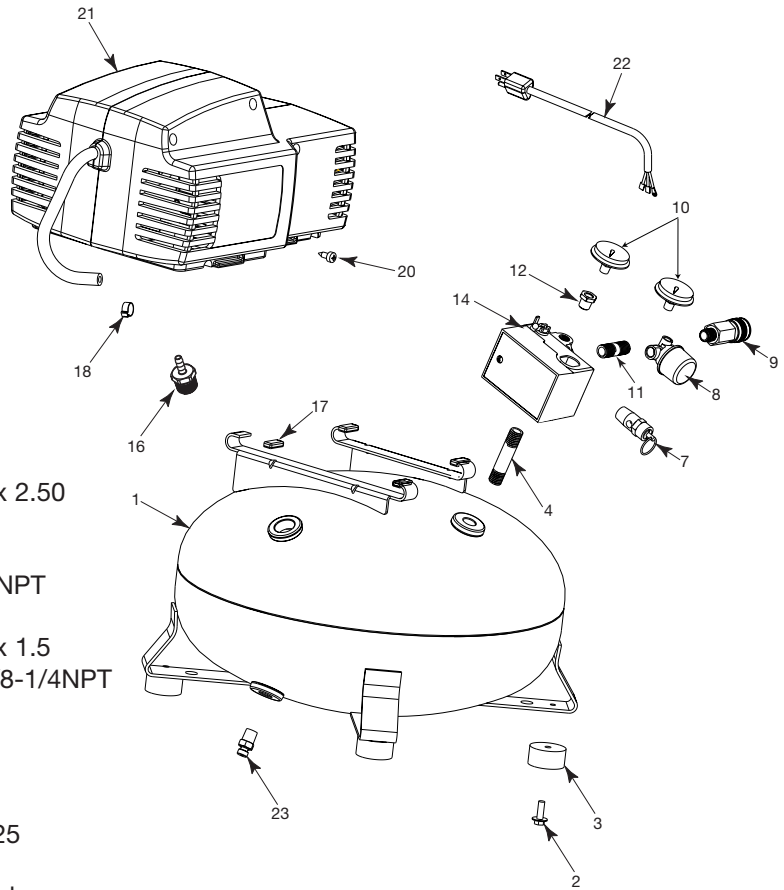


CF2600-1



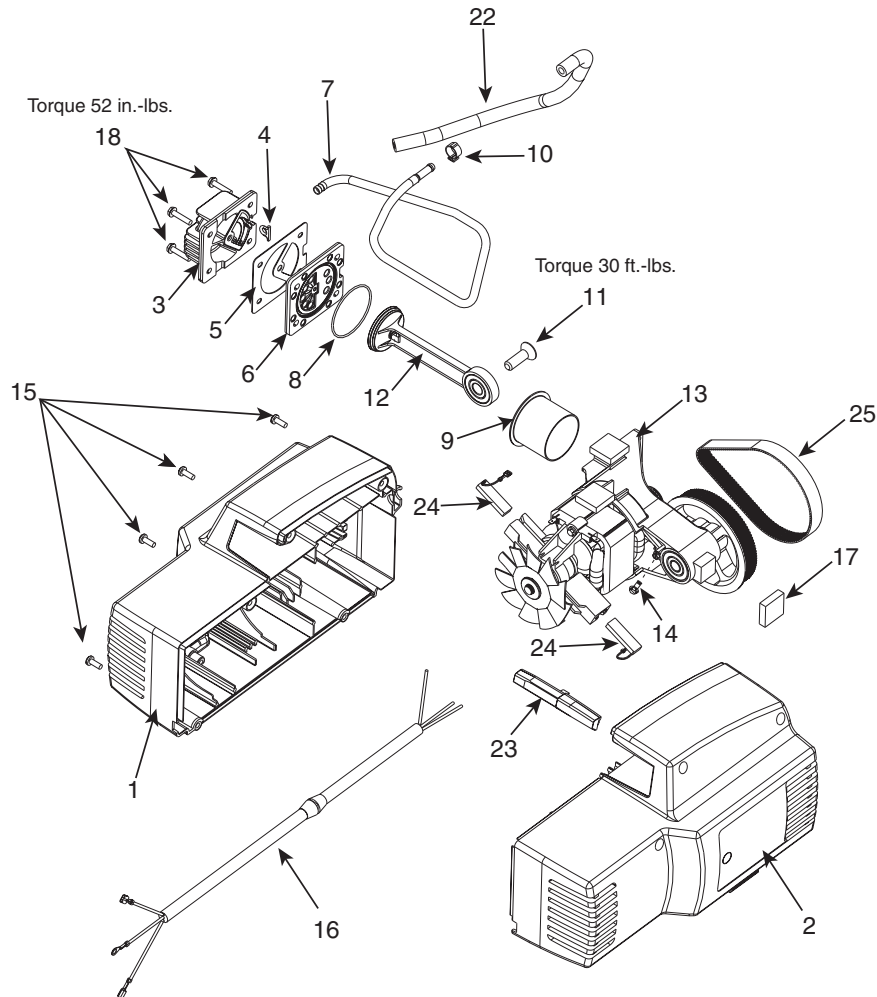
Key

No.	Part No.	Description
1	Z-D24667	Air Tank
2	91895680	Screw 1/4 - 20 x .75
3	SST-108	Rubber Bumper
4	SSP-480	Nipple 1/4-18 NPT x 2.50
7	D20114	Safety Valve
8	CAC-4296-1	Regulator
9	AC80-B	Quick Connect 1/4 NPT
10	Z-D23004	Gauge
11	SS-1286	Nipple 1/4-18 NPT x 1.5
12	SSP-6021	Bushing Reducer 1/8-1/4NPT
14	Z-AC-0747	Pressure Switch
16	D27022	Check Valve
17	CAC-1254	Isolator Pump
18	CAC-1206-1	Hose Clamp
20	SSF-621	Screw 1/4 - 14 x .625
21	(See page 2)	Pump Assembly
22	AC-0539	Power Cord Assembly
23	AC-0430	Drain Valve

Not Illustrated

- LA-3092-1 Label, Drain Tank Warning
- LA-3164 Label, Pressure Switch Warning
- LA-2828 Label, Hot Surface
- LA-2921 Label, English Warning
- D21248 Label, Spanish Warning
- D21249 Label, French Warning

CF2600-1



Key

<u>No.</u>	<u>Part No.</u>	<u>Description</u>
1	AC-0471	Shroud - Left
2	D25734	Shroud - Right
3	D25877	UMC Head
4	CAC-1212	Tube Seal
5	CAC-1199	Head Gasket
6	Z-CAC-4323	Valve Plate Assembly
7	CAC-1194-1	Outlet Tube
8	SSG-8169	O-ring
◆ 9	-----	Cylinder Sleeve
10	CAC-1206-1	Hose Clamp
11	SSF-3147	Screw 3/8-16 UNC THD
◆ 12	-----	Rod Assembly
13	Z-D23584	Endbell Assembly
14	SUDL-9-1	Screw 8-32 x .375/.344
15	SSF-3156	Screw 10-9 x .50
16	AC-0814	Motor Cord

Key

<u>No.</u>	<u>Part No.</u>	<u>Description</u>
Key		
17	D25731	Isolator Washer
18	SSF-995	Screw 10-24 x 7/8
22	H-7051	Hose 1/4"ID x 10"
23	D20492	Handle Support
24	Z-D23825	Replacement Brushes
25	AC-0815	Timing Belt

Not Illustrated

◆	KK-4964	Connecting Rod Kit
---	---------	--------------------