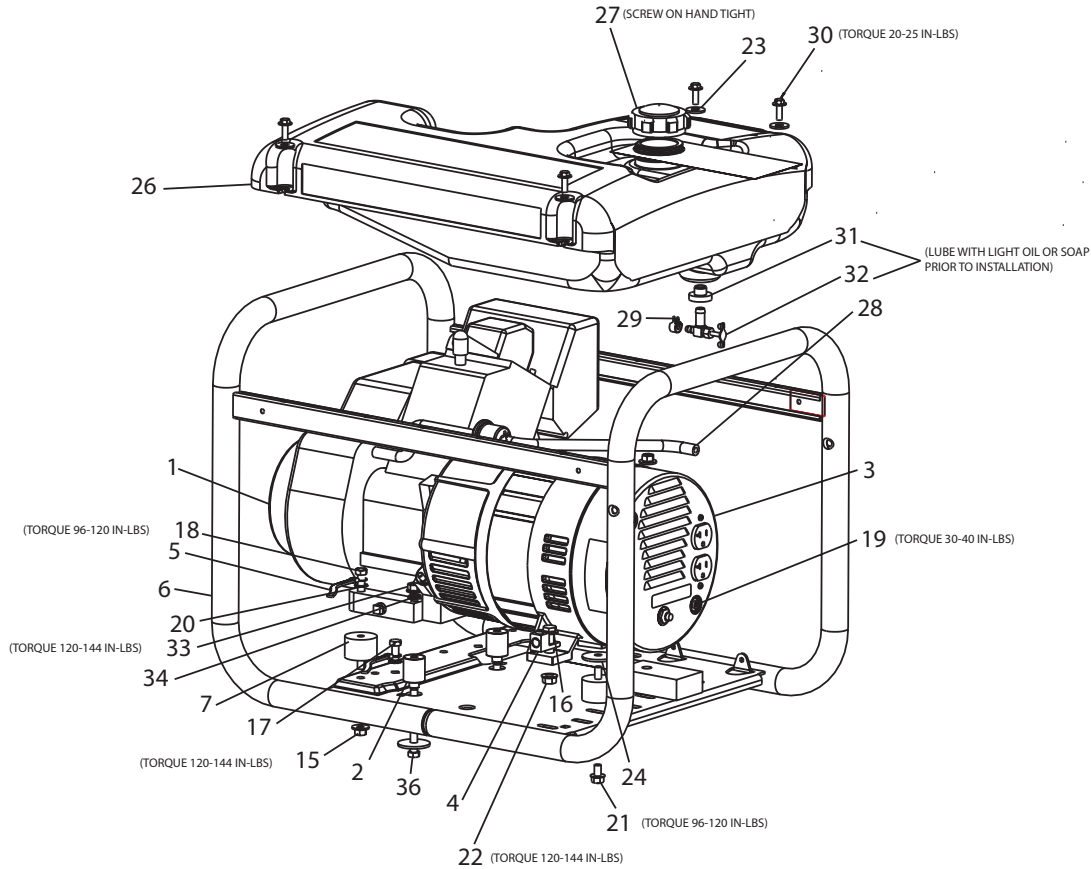




# CDGT3010

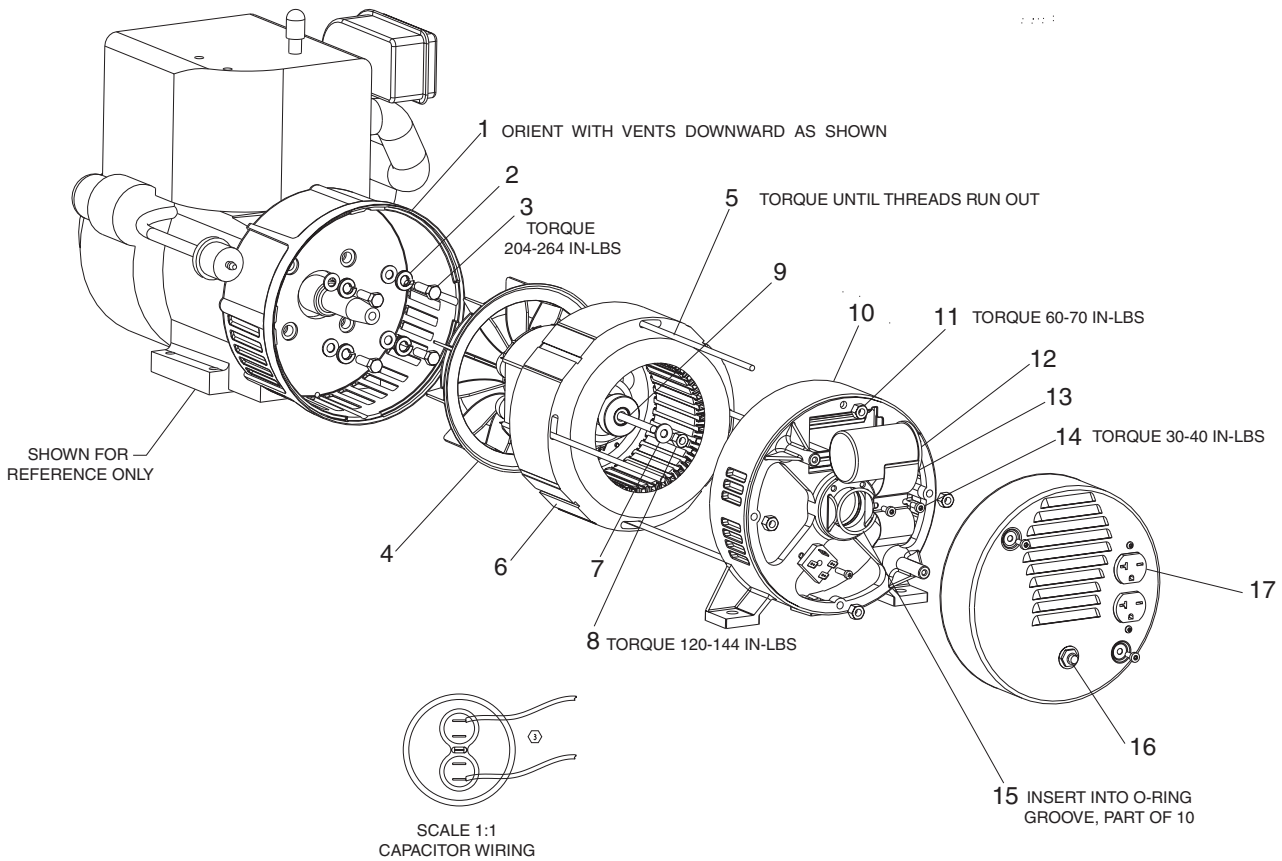


| KEY NO. | DESCRIPTION                  | PART NUMBER |
|---------|------------------------------|-------------|
| 1       | ENGINE (Model #OHH60-71148C) | -           |
| 2       | RESTRICTOR                   | GS-0855     |
| 3       | ENDCOVER                     | GS-0078     |
| 4       | GROUND LUG                   | GS-0117     |
| 5       | GROUND STRAP                 | GS-0118     |
| 6       | FRAME                        | GS-0846     |
| 7       | ISOLATORS                    | GS-0033     |
| 15      | NUT HEX WIZ LOCK             | SSF-8150    |
| 16      | SCREW                        | SSF-3140-ZN |
| 17      | CAP SCREW 5/16-18 X 3/4      | SS-12-CD    |
| 18      | SCREW, CAP 5/16-18 x 1.25    | SSF-605     |
| 19      | SCREW #10-24 x 1             | SSF-553-1   |
| 20      | LOCK WASHER                  | SSN-1619-ZN |
| 21      | SCREW 5/16-18 x 3/4          | SSF-3152    |
| 22      | LOCK NUT 3/8-16              | SSF-8111-ZN |
| 23      | WASHER, .875 OD .375 ID      | SSN-632     |
| 24      | WASHER 3/8                   | SSN-1014-ZN |
| 26      | FUEL TANK                    | GS-0650-1   |
| 27      | FUEL CAP                     | GS-0443     |
| 28      | FUEL HOSE                    | GS-0225     |
| 29      | FUEL CLAMP                   | GS-0227     |
| 30      | SCREW, 1/4-20 X .75          | 91895680    |
| 31      | DRAINCOCK                    | GS-0446     |
| 32      | FUEL SHUTOFF VALVE           | GS-0437     |
| 33      | NUT 5/16-18 HEX              | SS-656-CD   |
| 34      | LOCK WASHER                  | SS-1503-CD  |
| 36      | SCREW 5/16-18 X 3.00         | SSF-550-ZN  |

### Not Shown

|              |                  |
|--------------|------------------|
| MG-GENMAN-F  | Operators Manual |
| GEN-CDGT3010 | Parts Manual     |
| GS-0660      | Engine Manual    |

# CDGT3010 (cont'd)



| <b>KEY NO.</b> | <b>DESCRIPTION</b>     | <b>PART NUMBER</b> |
|----------------|------------------------|--------------------|
| 1              | DRIVE END ADAPTER      | GS-0558            |
| 2              | LOCK WASHER 3/8        | SS-1503-CD         |
| 3              | CAP SCREW 5/16 - 24X1  | SSF-616-ZN         |
| 4              | ROTOR ASSEMBLY         | GS-0658            |
| 5              | STATOR THRU BOLT       | GS-0415            |
| 6              | STATOR ASSEMBLY        | GS-0657            |
| 7              | WASHER 11/16OD x 11/32 | SS-6506-CD         |
| 8              | NUT 5/16-24            | SSF-576            |
| 9              | ROTOR THRU BOLT        | GS-0661            |
| 10             | BEARING SUPPORT        | GS-0861            |
| 11             | HEX NUT 1/4-20         | SSF-575            |
| 12             | CAPACITOR              | GS-0592            |
| 13             | CAPACITOR BRACKET      | GS-0595            |
| 14             | SCREW 10 - 24 x 9/16   | SSF-553-1          |
| ● 15           | O-RING                 | GS-0862            |
| 16             | Circuit Breaker 25A    | GS-0645            |
| 17             | Receptacle 120V Duplex | GS-0019            |

**ITEM NOT SHOWN**

\*DIODES GS-0082

\* Refer to Page 4 in the Generator Repair Section for further **diode** information.

● O-ring is included in Bearing Support (#10)