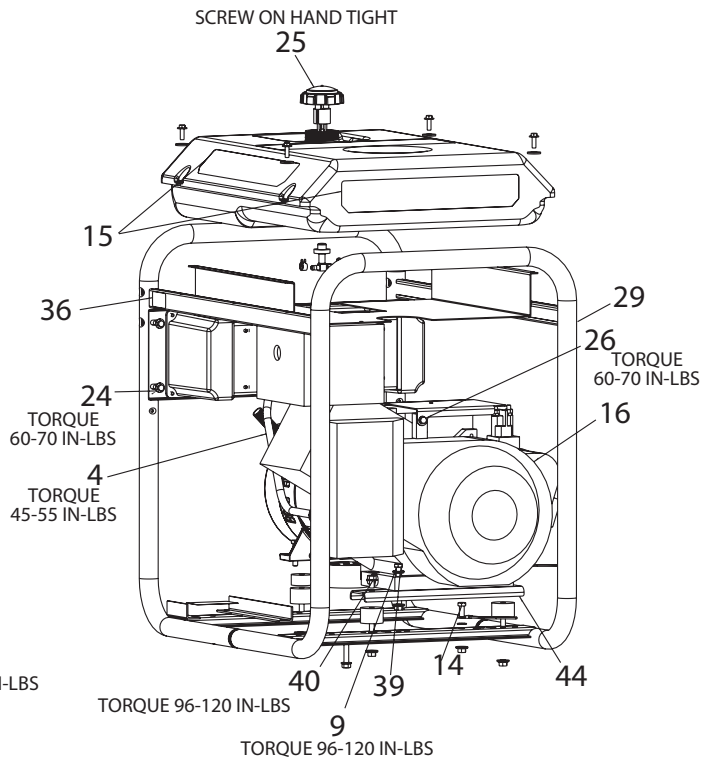
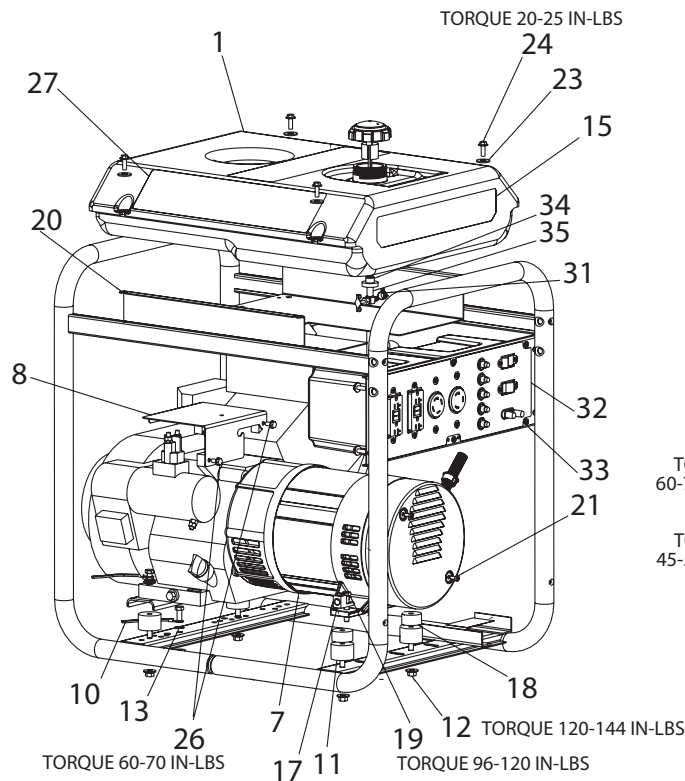


BSV750-W



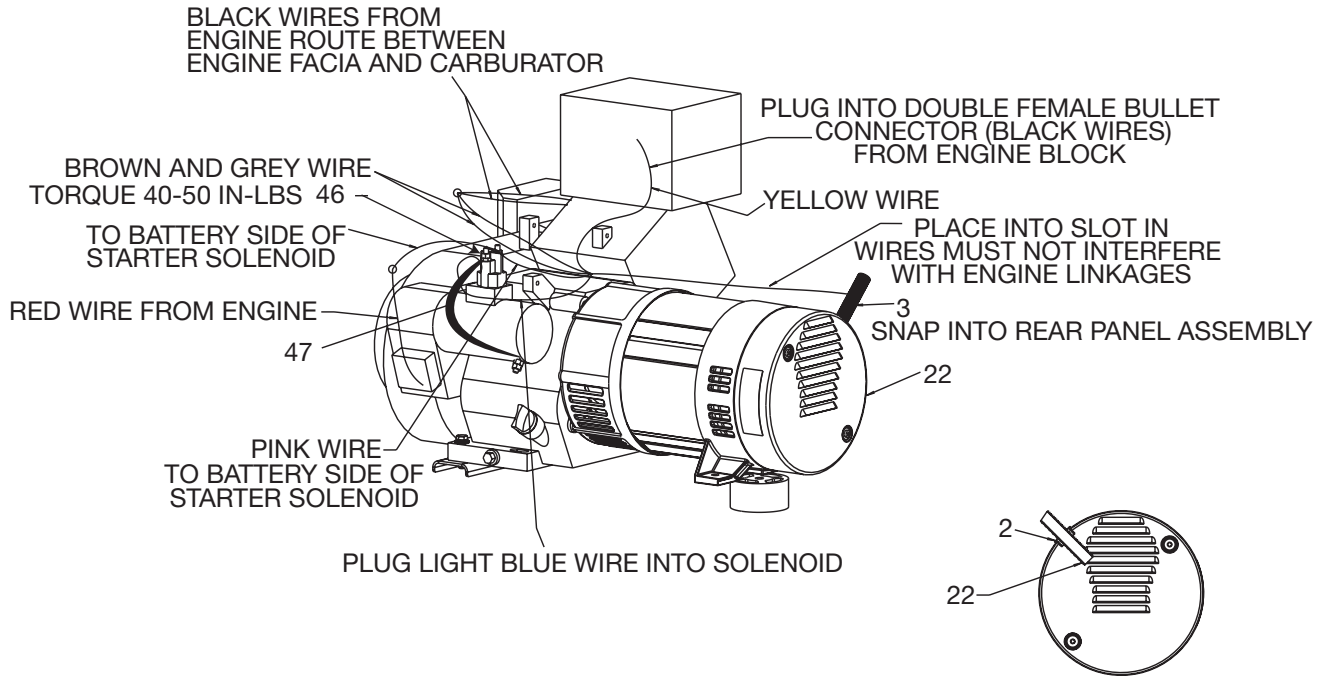
KEY

| NO. | PART NUMBER | DESCRIPTION |
|-----|-------------|-------------------------------|
| 1 | Z-GS-0795 | TANK FUEL |
| 4 | Z-GS-0225 | HOSE FUEL |
| 5 | D24270 | WIRE CHARGING |
| 7 | D24136 | ASSY GENERATOR |
| 8 | D24275 | COVER ENGINE |
| 9 | 95829230 | SCREW .313-18X1.50 HEX |
| 10 | GS-0118 | STRAP GROUND |
| 11 | GS-0033 | ISOLATOR VIBRATION |
| 12 | SSF-8150 | NUT .312-18 UNC HEX FLANG |
| 13 | SSN-1619-ZN | WASHER LOCK EXTERNAL TOOTH |
| 14 | SS-12-CD | SCREW .313-18X.750 HEX |
| 16 | ----- | ENGINE B&S #245437-0559-E1 |
| 17 | GS-0117 | LUG GROUND |
| 18 | GS-0492 | SPACER 5/16 |
| 20 | D24273 | SHIELD HEAT |

KEY

| NO. | PART NUMBER | DESCRIPTION |
|-----|-------------|---------------------------|
| 21 | SSF-553-1 | SCREW #10-24X.563 THD |
| 23 | SSN-632 | WASHER .875 OD .375 ID |
| 24 | 91895680 | SCREW .250-20X.750 |
| 25 | GS-0863 | CAP FUEL W/GAUGE |
| 26 | SSF-641-ZN | SCREW M6X1X12 HHW THD FRM |
| 29 | Z-D24188 | ASSY FRAME |
| 31 | GS-0227 | CLAMP FUEL .50 |
| 33 | D24142 | ASSY PANEL |
| 34 | GS-0446 | GROMMET DRAIN COCK |
| 35 | GS-0437 | DRAIN COCK |
| 39 | SSN-60-ZN | WASHER STEEL TYPE A |
| 40 | SSF-549 | SCREW .313-18X.50 HEX CAP |
| 44 | D24393 | BAR SPREADER BSV750 |
| | D26843 | WHEEL KIT |

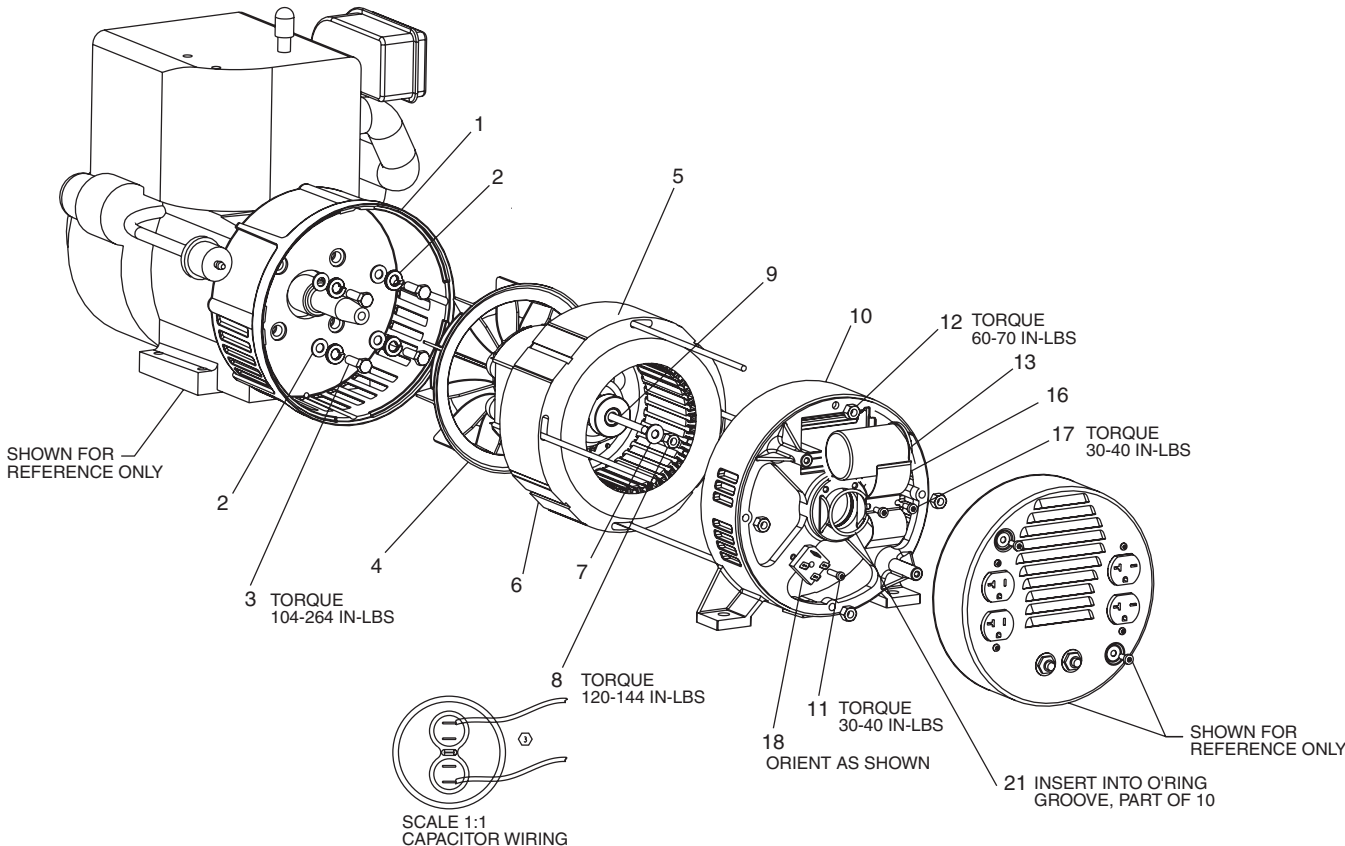
BSV750-W



KEY

| NO. | PART NUMBER | DESCRIPTION |
|------------|--------------------|--------------------------------|
| 2 | GS-0199 | BUSHING SNAP |
| 3 | D24147 | ASSY WIRE HARNESS |
| 22 | GS-0077 | COVER END |
| 46 | SSF-575 | NUT .250-20 HEX W/KEPS |
| 47 | D20540 | ASSY CABLE SELENOID TO STARTER |

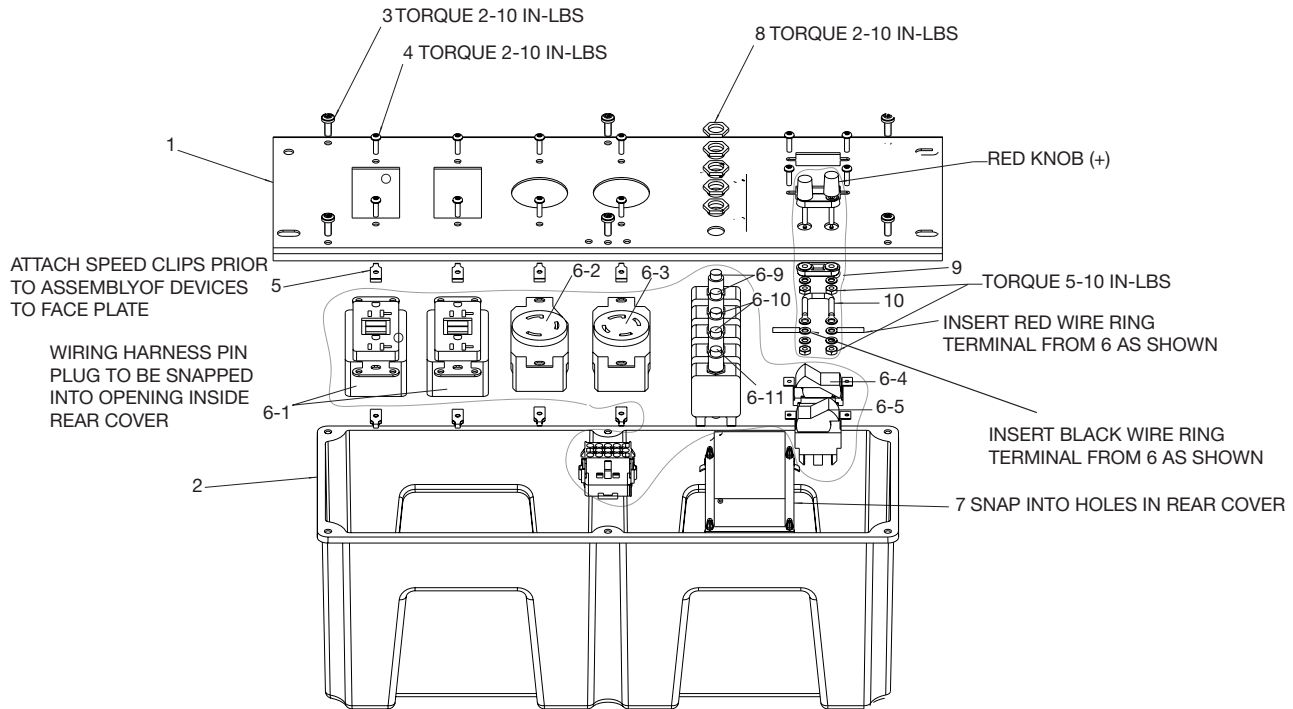
BSV750-W



KEY

| NO. | PART NUMBER | DESCRIPTION |
|-----|-------------|---------------------------|
| 1 | GS-0076 | ADAPTOR DRIVE END |
| 2 | SSN-619 | WASHER .375 SPRING LOCK |
| 3 | SSF-577 | SCREW .375-16X1.00 HEX |
| 4 | Z-D24137 | ASSY ROTOR |
| 5 | GS-0273 | BOLT STATOR THRU |
| 6 | Z-D24138 | ASSY STATOR |
| 7 | SS-6506-CD | WASHER FLAT 11/16 OD X 11 |
| 8 | SSF-576 | NUT .313-24 HEX W/KEPS |
| 9 | GS-0315-1 | BOLT ROTOR THRU |
| 10 | Z-GS-0861 | BEARING SUPPORT O RING |
| 11 | SSF-3158-1 | SCREW #10-24X.750 THD ROL |
| 12 | SSF-575 | NUT .250-20 HEX W/KEPS |
| 13 | GS-0748 | CAPACITOR |
| 16 | GS-0595 | BRACKET CAPACITOR |
| 17 | SSF-553-1 | SCREW #10-24X.563 |
| 18 | GS-0767 | RECTIFIER |
| 21 | GS-0862 | O-RING ROTOR BEARING |

BSV750-W



KEY

| NO. | PART NUMBER | DESCRIPTION |
|------|-------------|---------------------------|
| 1 | D24144 | PANEL CONTROL |
| 2 | D24271 | COVER PANEL |
| 3 | SSF-3156 | SCREW #10-9X.500 THD FORM |
| 4 | SSF-583 | SCREW #6-32X.500 PAN HD |
| 5 | SSF-584 | NUT #6-32 SPEED SELF RET |
| 6 | ----- | ASSY WIRE PANEL |
| 6-1 | GS-0644 | RECEP GFCI 120V 20A |
| 6-2 | GS-0021 | RECEPTACLE 125V 30A SINGL |
| 6-3 | GS-0455 | RECEPTACLE 4 PRONG 30A |
| 6-4 | GS-0679 | SWITCH IDLE CONTROL |
| 6-5 | GS-0046 | SWITCH OFF - ON / START |
| 6-9 | Z-GS-0026 | CIRCUIT BREAKER 125/250V |
| 6-10 | Z-GS-0025 | CIRCUIT BREAKER 125/250V |
| 6-11 | Z-GS-0681 | BREAKER CIRCUIT 125/250V |
| 7 | GS-0663 | ASSY BOARD CIRCUIT IDLE |
| 8 | SSF-595 | NUT .438-28 UNEF HEX JAM |
| 9 | GS-0728 | ASSY BINDING POST |
| 10 | GS-0835 | ASSY RESISTOR DC SHUNT |

Not Shown

| | |
|--------|------------------|
| D24130 | OPERATORS MANUAL |
| D24129 | PARTS MANUAL |
| D24128 | ENGINE MANUAL |