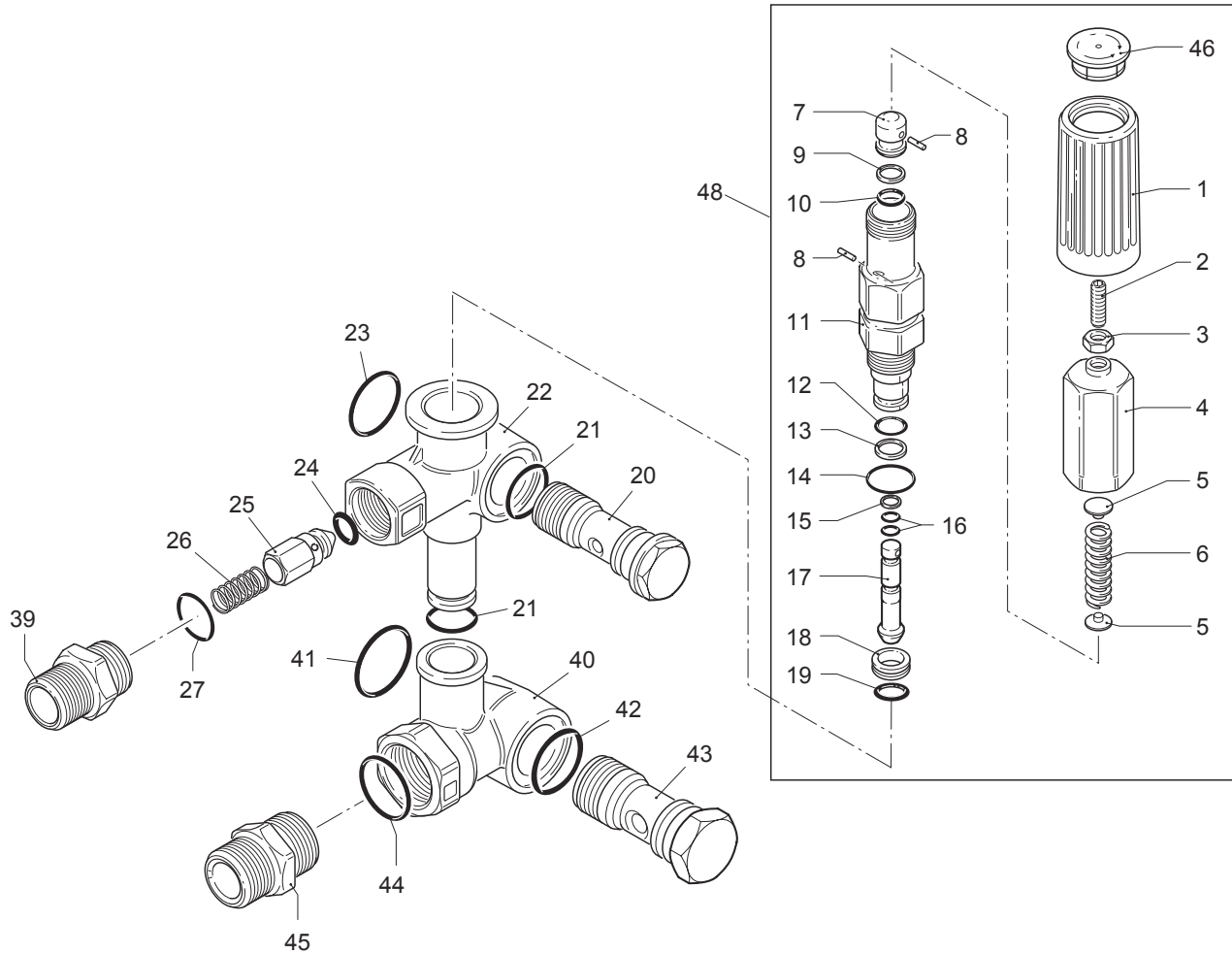


AR21158 UNLOADER for XMV3G27



Pos.	Code	Description
1	AR1981780	Adjusting Knob
2	AR1540560	Adjusting Screw
3	AR1980300	Lock Nut
4	AR1980390	Brass Adjusting Cap
5	AR1980220	Spring Plate
6	AR1271070	Spring
7	AR1080041	Upper Piston
8	AR1080070	Pin
9	* only available in kit	Back-up Ring
10	* only available in kit	O-Ring Ø 7.66x1.78 mm
11	AR1980210	Piston Guide
12	* only available in kit	O-Ring Ø 14x1.78 mm
13	* only available in kit	O-Ring Ø 8.73x1.78 mm
14	* only available in kit	O-Ring Ø 15.54x2.62mm
15	* only available in kit	Back-up Ring
16	* only available in kit	O-Ring Ø 2.90x1.78 mm
17	AR1271160	Lower Piston

Pos.	Code	Description
18	AR1980200	Valve Seat
19	* only available in kit	O-Ring Ø 9x1 mm
20	AR1540270	Thread Screw 3/8" G Brass
21	* AR390080	O-Ring Ø 11.91x2.62mm
22	not available	Valve Housing
23	* AR1140450	O-Ring Ø 20.24x2.62mm
24	* only available in kit	O-Ring Ø 4x2.5mm
25	AR1540170	Jet
26	AR1080091	Spring
27	* only available in kit	O-Ring Ø 12.42x1.78mm
39	AR 1540500	Adaptor 3/8" NPT
40	not available	By-Pass Housing Aluminum
41	* AR1540630	O-Ring Ø 23.47x2.62mm
42	* AR880270	O-Ring Ø 17.17x1.78mm
43	AR1540260	Thread Screw 1/2" G
44	AR480440	O-Ring Ø 17.13x2.62
45	AR 1560640	Adapter
46	AR1981770	Adjusting Knob Plug
48	AR2858	Unloader Kit

* AR2572 Bolt Kit- Contains one each of 20, 21, 23 and 41, 42, 43.

* AR2812 Repair Kit- may contain o-rings not needed for this assembly

General information:

- Uses F050 3/8" Plug, hex head brass; 1 6829 adapter 1/2" FPT x garden hose with screen ; V124 Chemical injector; F035 quick connector