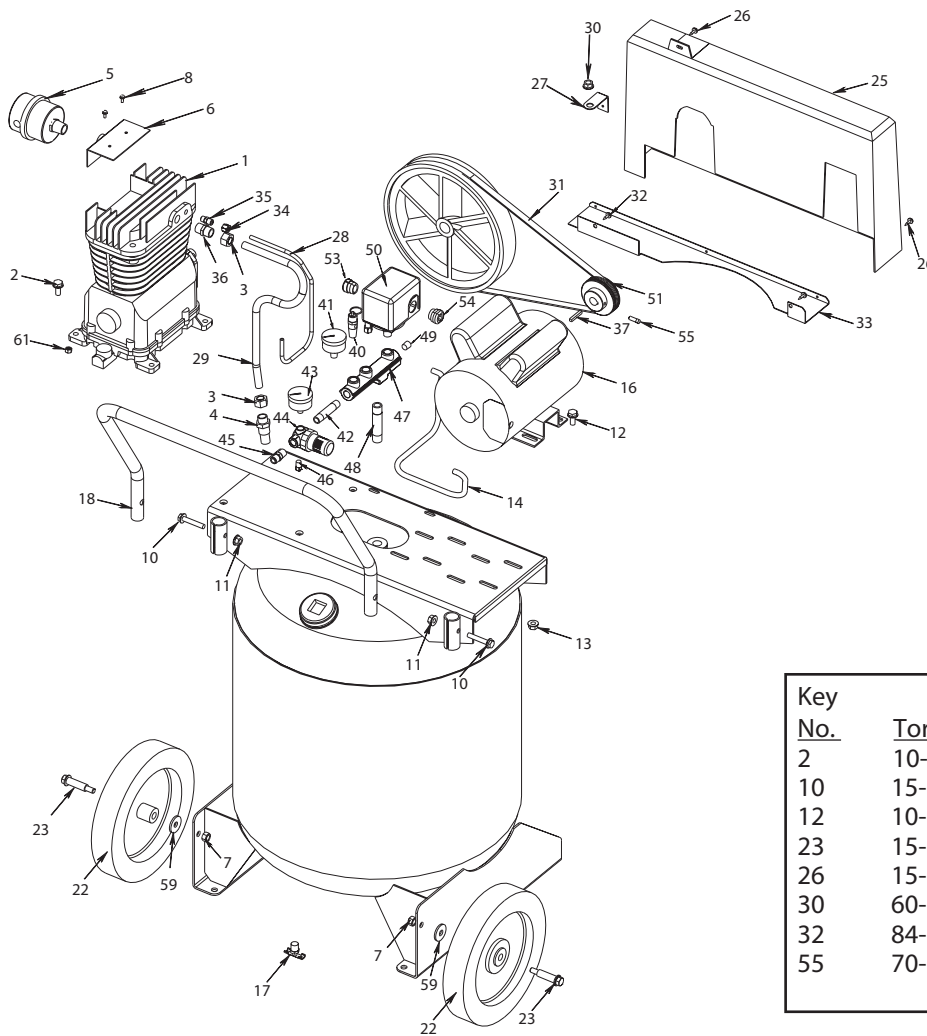


# REPAIR PARTS

# Model No. ACBL530VP-4



Key	
No.	Torque
2	10-15 ft.-lbs.
10	15-20 ft.-lbs.
12	10-15 ft.-lbs.
23	15-20 ft.-lbs.
26	15-20 in.-lbs.
30	60-70 in.-lbs.
32	84-108 in.-lbs.
55	70-80 in.-lbs.

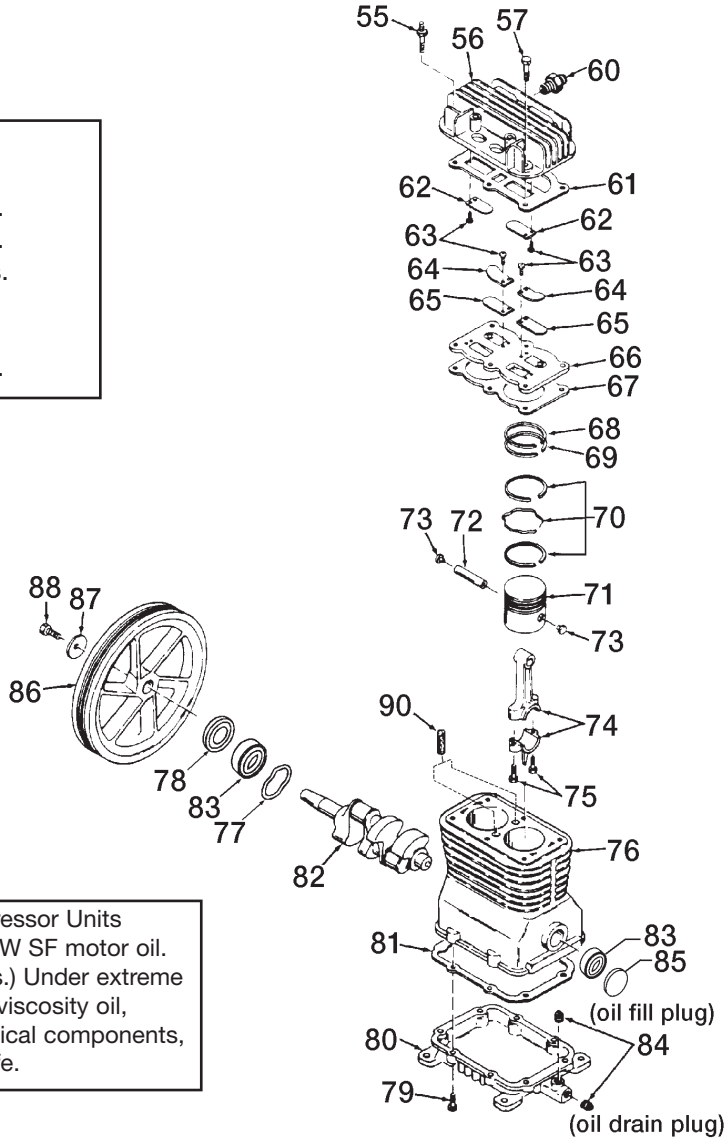
Key No.	Part Number	Description
1	D22623	Pump Assembly
2	SSF-643	Screw, .313-18X.875 (4 used)
3	SSP-7812	Nut Sleeve Assembly 1/2" (2 used)
4	CAC-437-2	Check Valve
5	AC-0330	Filter Assembly
	AC-0331	Replacement Filters (not shown)
6	AC-0322	Filter Plate Assembly
7	SSF-8080-ZN	Hex Nut .375-16 (2 used)
8	SSF-935	Screw, #8-32 x .375 (2 used)
10	SSF-3121-ZN	Screw, .313-18X1.75 (2 used)
11	SS-656-CD	Hex Nut .313-18 (2 used)
12	SSF-3152	Screw, .313-18X.750 (4 used)
13	SSF-8150	Hex Flange Nut .312-18 (4 used)
14	CAC-4205	Motor Cord
16	Z-MO-3021-1	Motor
17	SS-2707	Drain Valve
18	AC-0480	Handle
22	D23138	Wheel 9" (2 used)
23	CAC-60	Shoulder Bolt .375-16X2.25 (2 used)
25	CAC-22-2	Beltguard
26	SSF-953-ZN	Screw, #10X.625 (4 used)
27	CAC-2-1	Bracket
28	CAC-1331	Pressure Release Tube
29	CAC-357-1	Outlet Tube
30	SSF-8113-ZN	Lock Nut .375-16X.563
31	BT-315	Belt
32	39124607	Screw, .250-20X.625 (2 used)

Key No.	Part Number	Description
33	CAC-362-1	Beltguard Closure
34	SSP-7811	Nut Sleeve Assembly 1/4"
35	SS-8553	Connector Body
36	SSP-9401	Straight Connector Body
37	SUDL-65	Motor Shaft Key
40	TIA-4150	Safety Valve
41	Z-GA-370	Gauge, 150 psi
42	SSP-480	Nipple, 1/4-18 NPT X 2.50
43	Z-GA-369	Gauge, 200 psi
44	AC-0076	Regulator
45	H-2101	Adapter
46	SS-1215	Pipe Plug
47	CAC-226	Manifold
48	SS-2110	Nipple 3/8 X 3
49	SS-3222-CD	Plug Pipe
50	Z-CAC-4336	Pressure Switch Assembly
51	C-PU-2872	Motor Pulley
53	SSW-7385	Strain Relief Bushing
54	SSW-7367	Strain Relief Bushing
55	SS-391	Set Screw .250-20 .625
59	SSN-631	Bevelle Washer (2 used)
61	SSF-8150	Hex Nut .312-18 UNC (4 used)
<b>NOT SHOWN</b>		
	SUDL-413-2	Power Cord Assembly
	SST-107	Rubber Foot (2 used)
	SSF-630	Screw, .250 x 2.50 (2 used)
	KK-5020	Pressure Release Valve Kit

# REPAIR PARTS

# Model No. L530VP-4

Key	
No.	Torque
55	25-30 ft.-lbs.
57	25-30 ft.-lbs.
63	13-17 in.-lbs.
75	7-10 ft.-lbs.
79	9-12 ft.-lbs.
88	15-20 ft.-lbs.



**Recommended Oils** - One Stage Compressor Units  
 Use a compressor oil such as SAE 20-20W SF motor oil. (Crankcase oil capacity is 16 fluid ounces.) Under extreme winter conditions use 10 weight oil. Multiviscosity oil, 10W30, will leave carbon deposits on critical components, reducing performance and compressor life.

Key No.	Part Number	Description
55	SSF-6627	Stud 3/8"-16 both ends (1 used)
56	Z-CAC-4213	Head assembly (includes valves and screws)
57	SSF-955	Screw, 3/8"-16 x 1 1/2" (5 used)
60	SSP-9401	Connector body
✓ 61	Z-CAC-291-1	Head gasket
• 62	---	Intake flapper valve - square corners (2 used on head)
• 63	---	Screw #5-40 x 1/4" (8 used)
64	CAC-294	Restrictor plate (2 used)
• 65	---	Exhaust flapper valve - beveled corners (2 used on valve plate)
66	Z-CAC-4212-1	Valve plate assembly (includes valves, restrictors and screws)
✓ 67	Z-CAC-1265-2	Valve plate gasket
X 68	---	Compression ring (2 used)
X 69	---	Compression ring (2 used)
X 70	---	Oil rings and expanders
71	CAC-55-1	Piston (2 used)
72	265-19	Piston pin (2 used)
73	CAC-207	Piston pin plug (4 used)
74	265-410	Connecting rod assembly (2 used) Includes (2) SSF-927 screws (Key #75)

Key No.	Part Number	Description
75	SSF-927	Screw, 1/4"-20 x 1 1/8" (4 used)
76	AC-0205	Crankcase and cylinder
77	SSN-1018	Wavy washer
78	AC-0169	Oil Seal
79	SSF-925	Screw, 1/4"-20 x 7/8" (8 used)
80	DAC-276	Base
✓ 81	265-16-1	Base gasket
82	Z-D22270	Crankshaft
83	SST-104	Ball bearing (2 used)
84	SSP-486	Pipe plug (2 used)
85	SSP-505	Oil plug
86	265-2	Flywheel
87	SSN-1014-ZN	Belleville washer
88	SSF-3039-ZN	Cap screw
90	265-6	Vent Filter (2 used)

- X Available as part of Ring Kit KK-4313.
- ✓ Available as part of Gasket Kit K-0159.
- Available in Valve Kit KK-4275