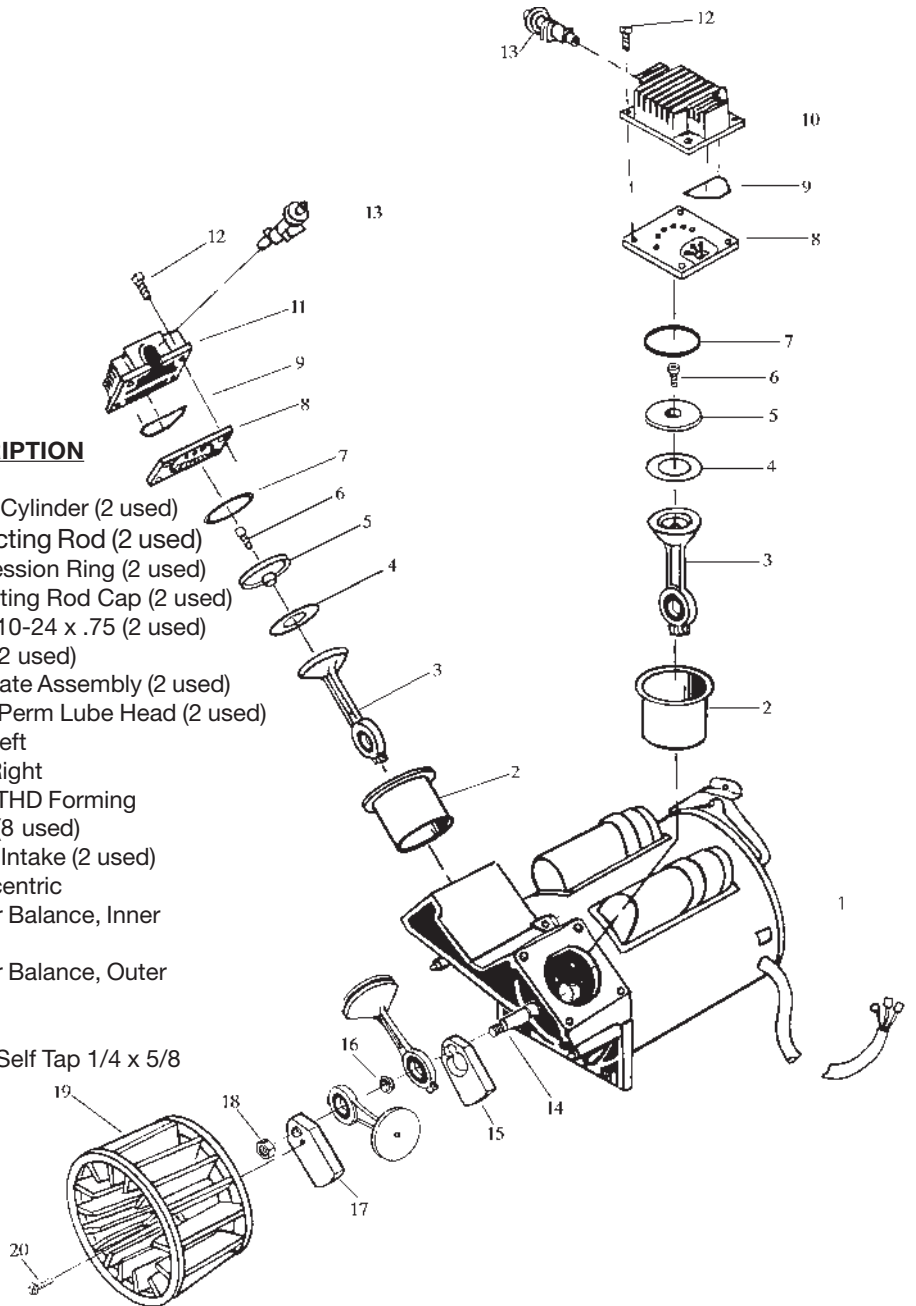


# AC-0051

KEY NO.	PART NUMBER	DESCRIPTION
1	MO-3024	Motor
+ *	--	Sleeve, Cylinder (2 used)
*	--	Connecting Rod (2 used)
+ *	--	Compression Ring (2 used)
*	ACG-29	Connecting Rod Cap (2 used)
+ *	SSF-3158-1	Screw, 10-24 x .75 (2 used)
+ *	SSG-8156	O-ring (2 used)
8	ACG-402	Valve Plate Assembly (2 used)
+ *	ACG-45	O-ring, Perm Lube Head (2 used)
10	ACG-26	Head, Left
11	AC-0042	Head, Right
12	SSF-990	Screw, THD Forming 1/2-20 (8 used)
13	ACG-11	Muffler, Intake (2 used)
14	ACG-8	Pin, Eccentric
15	ACG-6	Counter Balance, Inner
16	ACG-9	Washer
17	ACG-7	Counter Balance, Outer
18	ACG-23	Nut
19	ACG-22	Fan
20	39124607	Screw, Self Tap 1/4 x 5/8



**NOT SHOWN**

MPL-AC-0051-1 Pump Manual

- \* Keys 2, 3,4,5,6,7 and 9 can only be purchased in Connecting Rod Kit KK-5081.
- + Keys 2, 4, 6, 7 and 9 can be purchased in Cylinder\Compression Ring Kit K-0058.

Key #	TORQUE
12	7 TO 10 FT. LBS.
18	85 TO 90 FT. LBS.
20	75 TO 90 IN. LBS.
<b>* TORQUE WRENCH MUST BE USED</b>	