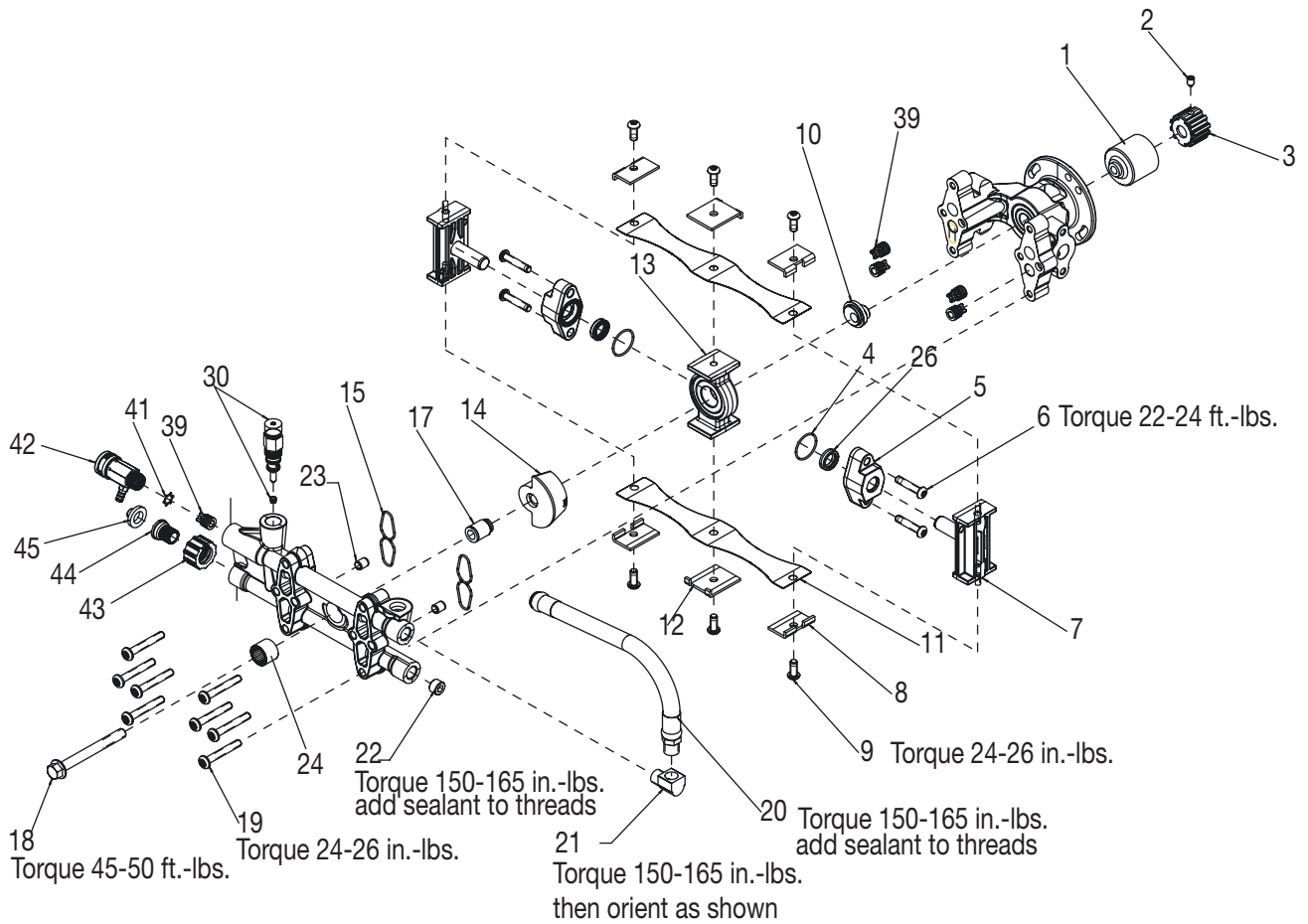
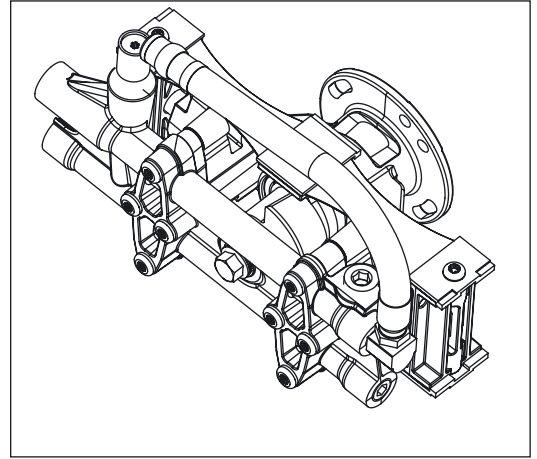


A07846- DeVILBISS PUMP



A07846 - DeVILBISS PUMP PARTS LIST

<u>Key#</u>	<u>Part #</u>	<u>Description</u>
1	A00045	Bearing Cover Spline
2	D25006	ScREW 5/16-24 .478 SET
3	D28134	Shaft Couple Spline
4	*	O-Ring #25 90 DUROMETER
5	D21254	Assembly Body Journal Radial
6	D25565	Screw 5/16-18 1.5 THD
7	D23487	Assembly Piston Radial
8	A00755	Clamp Block End
9	D25566	Screw 5/16-18 GR8 PH OIL
10	D26774	Shaft Bearing Couple
11	D20995	Strap 2 Cylinder
12	A00756	Clamp Block Mid Strap
13	D21258	Assembly Ring Radial
14	D26773	Shaft, Counterweight
15	*	O-Ring
16	A08404	Assembly Head Radial Pump
17	A01527	Assembly Shaft Inner Ring
18	D22684	Bolt .438-14X4.00 HHW
19	D25567	Screw 5/16-18 2.125 GR8 THD FORM
20	D24573	Pulse Hose 3/8 12" 2200 PSI
21	F217	Elbow 3/8" Brass
22	16364	Plug 3/8 NPTF recessed
23	D21003	Dowel Alignment SplitDOWEL
24	-----	Bearing Needle Radial
30	A08869	Kit, Unloader and Seat
39	*	Radial Valve
41	*	Retaining Ring Internal
42	D29372	Chemical Injector QC
43	A00502	Nut, Plastic Garden Hose Swivel
44	H068	Swivel Garden Hose 3/8 NPT MALE
45	F187	Screen, 3/4 Garden Hose

*** Kits available :**

D28722 Valve Kit includes key Include key#'s 39 (qty 5), 41 (qty 1)

D23514 Seal Kit Include key#'s 4 (qty 2), 15 (qty2)

General Information:

- **Pump Kit contains:** A00502 plastic garden hose swivel nut, H068 3/8 NPT garden hose swivel, F187 screen, D29372 chemical injector with quick connect, A06113 screw (5/16-24 x3/4"), A00044 male spline, D25006 set screw
- This pump does not use oil.

A07846- DeVILBISS PUMP REPAIR KIT

D28722 Valve Kit

contains Key#'s 39 (qty 4), 40 (qty 1), and 41 (qty 1)



D23514 Seal Kit

contains Key#s 4 (qty 2), 15 (qty 2),
16 mm seal (qty 2, not needed on this pump),
and O-Ring (qty 1, not needed on this pump)

