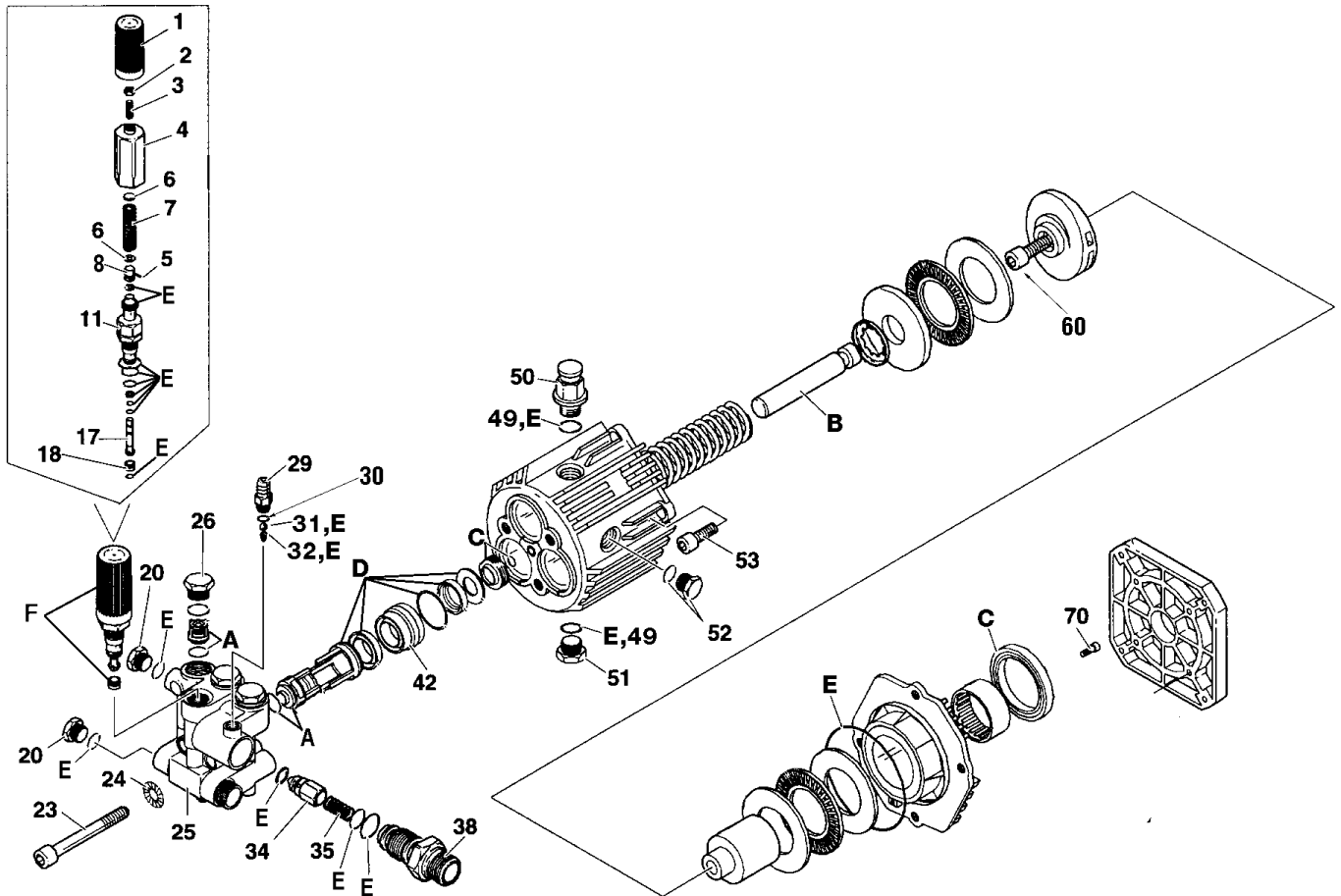


PK16416 - XJV3G22 - PUMP - AR



PK16416 - XJV3G22 - PUMP, AR PARTS LIST

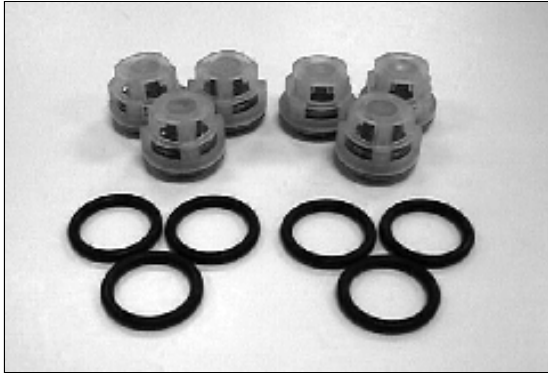
<u>Key#</u>	<u>Part #</u>	<u>Description</u>
1	AR-1322520	Knob
2	AR-1980300	Nut
3	AR-1980470	Grub Screw
4	AR-1980640	Handle Insert
5	AR-1080070	Pin
6	AR-1980220	Plate Spring
7	AR-1271070	Spring
8	AR-1080041	Upper Piston
11	AR-1980210	Piston Guide
17	AR-1271160	Lower Piston
18	AR-1980200	Valve Seat
20	AR-880581	Plug
23	AR-1980310	Screw
24	AR-650530	Washer
25	AR-1980650	Pump Head
26	AR-1260162	Plug
30	AR-480480	O-Ring
29	AR-1560490	Hose Barb
31	AR-1250280	Ball
32	AR-1560520	Spring
34	AR-1540170	Jet
35	AR-1080091	Spring
38	AR-1270130	Detergent Injector
42	AR-1980180	Piston Guide
49	AR-740290	O-ring
50	AR-1980380	Plug
51	AR-880530	Plug
52	AR-1980290	Oil Plug
53	AR-180030	Screw
60	AR-850370	Screw
70	AR-1200430	Screw
A	AR-1864	Valve Kit
B	AR-2796	Piston Kit
C	AR-2797	Oil Seal Kit
D	AR-2798	Water Seal Kit
E	AR-2799	O-Ring Kit
F	AR-2824	Unloader Kit

General Information:

- 10W30 fully synthetic oil-5.25 oz
- Shipped with a red shipping plug.
- Replacement part for XJV3G22 and 16416, kit contains: 16416 (XJV3G22) pump, H140 chemical hose, F035 quick connect, 16829 adapter (inline filter), 16505 thermal relief, P448 key, AR-1320060 adapter plate, F078 lock washer (qty 4 pump to adapter plate), 15167 screw (qty 4 pump to adapter plate), F107 3/8" lock washer (qty 4 pump to adapter plate), 15171 screw 3/8-16x1 (qty 4) adapter plate to engine)

16416 - XJV3G22 - PUMP, AR REPAIR KIT

AR-1864 Valve Kit



AR-2796 Piston Kit



AR-2797 Oil Seal Kit



AR-2798 Water Seal Kit



AR-2799 O-Ring Kit



AR-16737 Unloader Valve Kit

