

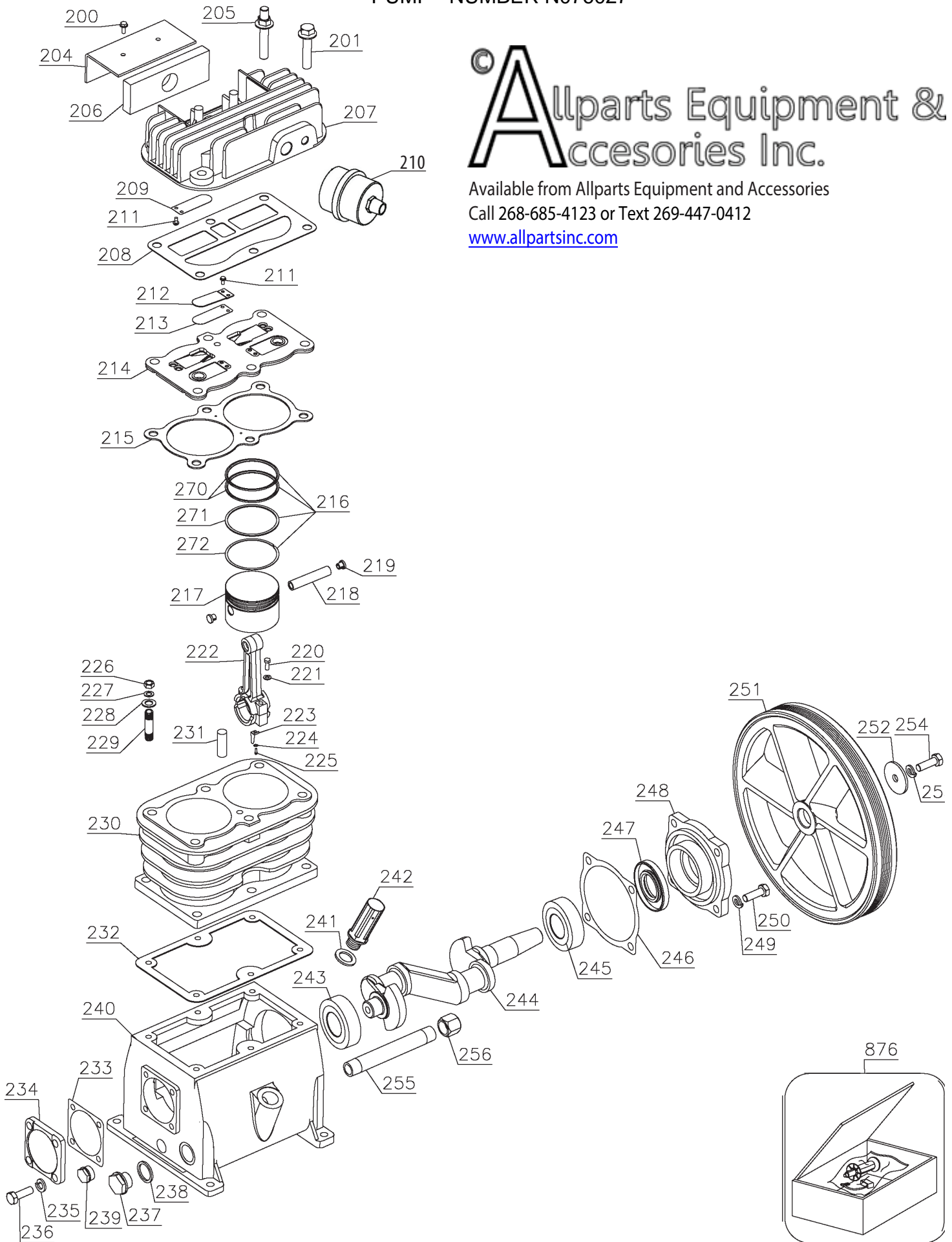
PUMP - NUMBER N076027



Available from Allparts Equipment and Accessories

Call 268-685-4123 or Text 269-447-0412

www.allpartsinc.com



PUMP - NUMBER N076027

Item Number	Part Number	Description	Qty Required
200	SSF-935	SCREW #8-32X.375 HHW	2
201	18300	BOLT .375-16X1.75 FL	5
204	265-18	RETAINER FILTER	1
205	N013546	STUD SHOULDER 3/8-16	1
206	265-17	FILTER FELT	1
207	Z-CAC-4213	ASSY HEAD	1
208	Z-CAC-291-1	GASKET GRAPHITE	1
209	A00723	VALVE FLAPPER INTAKE	2
210	AC-0330	FILTER ASSEMBLY	1
210E	AC-0331	FILTER ELEMENT	1
211	SSF-9821	SCREW #5-40X.250 HHW	8
212	CAC-294	PLATE RESTRICTOR	2
213	A00724	FLAPPER VALVE	2
214	Z-CAC-4212-1	ASSY VALVE PLATE	1
215	A20868SV	GASKET	1
216	5140069-06	PISTON RING SET	2
217	5140065-68	PISTON	2
218	5140069-11	PISTON PIN	2
219	5140031-98	CLIP	4
220	5140069-13	BOLT	4
221	5140069-14	SPRING WASHER	4
222	5140069-15	CONNECTING ROD	2
223	5140069-16	SPRING WASHER	2
224	5140069-17	OIL SLINGER	2
225	5140069-18	SCREW	2
226	D28197	NUT CYLINDER	6
227	5140069-14	SPRING WASHER	6
228	5140069-21	WASHER	6
229	5140069-22	STUD	6
230	5140069-23	CYLINDER	1
231	5140069-24	FILTER	2
232	5140069-25	GASKET	1
233	5140069-26	GASKET	1

PUMP - NUMBER N076027

Item Number	Part Number	Description	Qty Required
234	5140069-27	BEARING COVER	1
235	D28188	WASHER LOCK 7	4
236	5140069-29	BOLT	4
237	5140069-30	OIL LEVELER	1
238	5140069-31	WASHER	1
239	5140069-32	OIL DRAIN PLUG CRANK	1
240	5140069-33	CASE	1
241	5140069-34	WASHER	1
242	A11062	BREATHER	1
243	5140069-36	BEARING	1
244	5140069-37	CRANKSHAFT	1
245	5140069-38	BEARING	1
246	5140069-39	GASKET	1
247	5140069-40	OIL SEAL	1
248	5140069-41	BEARING SEAT	1
249	5140069-14	SPRING WASHER	4
250	5140069-43	BOLT	4
251	N049935	FLYWHEEL	1
252	N026833	FLAT WASHER	1
253	N026834	LOCKWASHER	1
254	N064048	BOLT	1
255	5140069-44	OIL DRAIN TUBE	1
256	5140069-45	OIL DRAIN PLUG	1
876	KK-4275	KIT VALVE	1

NOTES:

- 201,205 Torque to 28-39 ft-lbs.
- 211 Torque to 13-17 in-lbs.
- 254 Torque to 21-28 ft-lbs.