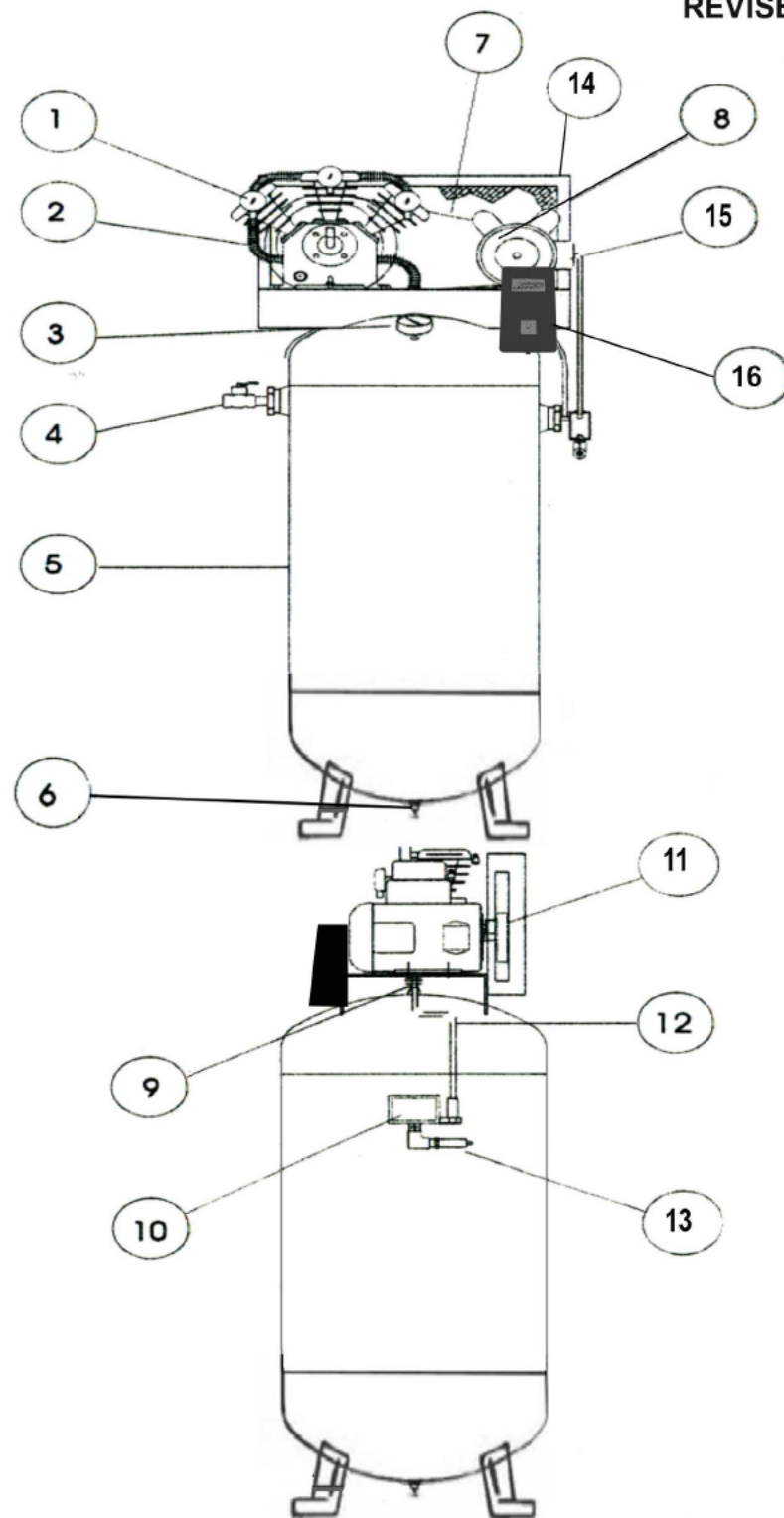


Iron Horse Air Compressor part breakdown - IHD7180V2-MS

REVISED 3/27/17

Item	Description	
1	Compressor w/ Flywheel	CC3090TS-AC Assembly
2	Discharge Tube (2.5ft) ASSY	TU-3/4-CU
3	Pressure Gauge	PG200-2.5R
4	Outlet Valve	BV3/4MF
5	Air Receiver (tank)	80VE24X48-G
6	Drain Cock -Assembly	240-B
7	V-Belt	A70 (2)
8	Motor - 1 Phase, 208/230V	EM07.5-18-10
9	Check Valve	P7575ST
10	Pressure Switch	21UCBDB-CH175
11	Pulley - Motor	2MAL62
12	Unloader Tube	TU-1/4-CU
13	Safety Valve	PSV1/4-200
14	Belt Guard	BG80GAL
15	Wiring Harness	12/3-24-C4
	**Fittings Required for TU-1/4CU	68-4A
16	Mag Starter	1062MS
	Brass Elbow	49-12E
	Bushing Sheave	LX13/8
	Eagle Compressor Oil	EAOIL10



IRON HORSE

Wood INDUSTRIES INCORPORATED