

GNBC30, GNBC33, GNBC36

Owner's Manual



FOR QUESTIONS AND CONCERNS, CONTACT US AT

Allparts Equipment &
Accessories Inc.

www.allpartsinc.com

Call Us: 1-269-685-4123

Text Us: 1-269-447-0412

heatilator®

The first name in fireplaces

Hearth Technologies-Mt. Pleasant
1915 W. Saunders Street
Mt. Pleasant, Iowa 52641
Division, HON INDUSTRIES
www.heatilator.com



NOVUS SERIES B-VENT GAS APPLIANCE GNBC30, 33, & 36 INSTALLATION & OPERATING INSTRUCTIONS



WARNING: If the information in this manual is not followed exactly, a fire or explosion may result causing property damage, personal injury or loss of life.

- Do not store or use gasoline or other flammable vapors and liquids in the vicinity of this or any other appliance.
- What to do if you smell gas
 - Do not try to light any appliance.
 - Do not touch any electrical switch; do not use any phone in your building.
 - Immediately call your gas supplier from a neighbor's phone. Follow the gas supplier's instructions.
 - If you cannot reach your gas supplier, call the fire department.
- Installation and service must be performed by a qualified installer, service agency or the gas supplier.

WARNING!

Improper installation, adjustment, alteration, service or maintenance can cause injury or property damage. Refer to this manual. For assistance or additional information, consult a qualified installer, service agency or the gas supplier.

Table of Contents

A. Preparation 3
B. Location and Clearances 4
C. Framing 5
D. Setting the Appliance 6
E. Venting 6
F. Utilities 10
G. Finishing 13
H. Appliance Preparation 13
I. Determining the Ignition Type 14
J. Lighting Instructions 15
K. Seasonal Checklist 17
L. Start-up Issues 18
M. Maintenance Instructions 19
N. Optional Components 21
O Replacement Parts 23
Index 27
Warranty 28

The first name in fireplaces

A. PREPARATION

1. U.S. AND CANADA CERTIFICATION

The Novus B-Vent Gas Appliance has been tested in accordance with the ANSI standard Z21.88-2000. In Canada, the current CSA 2.33-2000, IR41, P4, and IR55 and have been LISTED by Underwriters Laboratories Inc. for installation as described in this manual. All components are UL, AGA, CGA or CSA safety certified.

2. LOCAL CODES

This installation must conform with local codes. In the absence of local codes comply with the National Fuel Gas Code ANSI Z223.1-latest edition in the U.S.A., and the CAN/CGA B149, Installation Codes in Canada.

For assistance during installation contact your local dealer or contact Heatilator Technical Services Department, Hearth Technologies Inc., 1915 W. Saunders Street, Mt. Pleasant, Iowa 52641, phone 1-800-843-2848.

HEATILATOR® and NOVUS® are registered trademarks of Hearth Technologies Inc.

Tools and building supplies normally required for installation:

Tools:

Saw
Pliers
Hammer
Phillips screwdriver
Tape measure
Plumb line
Level
Electric drill/bits
Square
Gloves

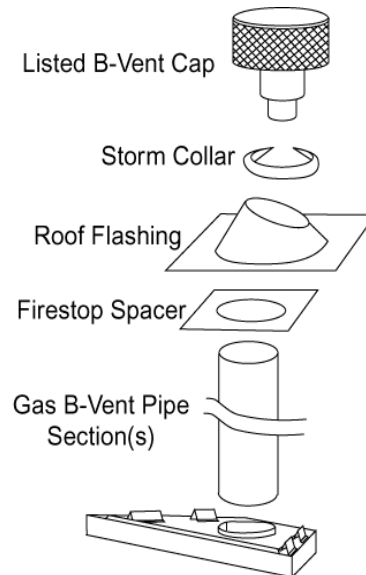
Building Supplies:

Wall-finishing materials
Framing material
Surround
Caulking material

Note: Minimum and maximum clearances must be maintained at all times. Illustrations throughout these instructions reflect typical installations and are for design purposes only. Actual installation may vary slightly due to individual design preferences.

The illustrations and diagrams used throughout these installation instructions are not drawn to scale.

TYPICAL VERTICAL INSTALLATION



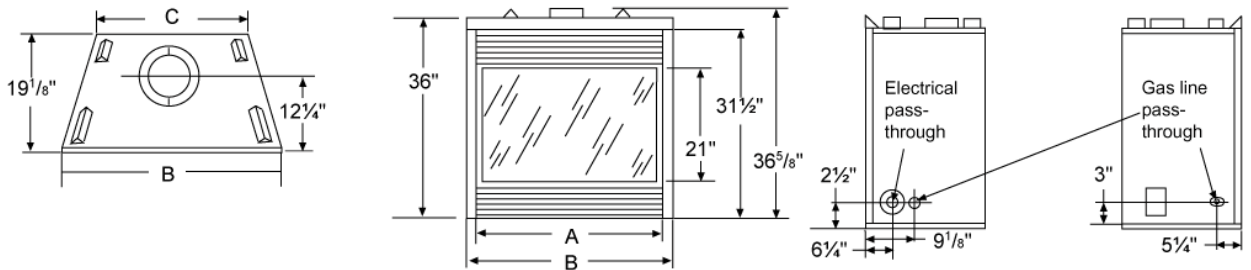
The first name in fireplaces

NOVUS NOMENCLATURE

Catalog Number	Description
GNBC36LE	Appliance Order Code Number
GN	Gas NOVUS
B	B-Vent
C	Circulating
36	36 - 36" Appliance 33 - 33" Appliance 30 - 30" Appliance
LE	No suffix - Standing Pilot, Natural Gas L - Standing Pilot, Propane Gas E - Electronic Ignition, Natural Gas LE - Electronic Ignition, Propane Gas
GNBC36LEB	Appliance Order Code Number with Upgrade Code Number
B	Black Firebox
GNBC36LEB	EXAMPLE - Gas NOVUS, B-Vent, Heat Circulating, 36", Propane Gas, Electronic Ignition appliance with Black Firebox
Installation Component	Description
AK14	Outside air kit (highly recommended - not supplied)

B. LOCATION AND CLEARANCES

Appliance Dimensions



MODEL	A	B	C
GNBC30	30"	34 ⁷ / ₈ "	8 ⁵ / ₈ "
GNBC33	33"	37 ⁷ / ₈ "	11 ⁵ / ₈ "
GNBC36	36"	40 ⁷ / ₈ "	14 ⁵ / ₈ "

WARNING!
Due to high temperatures, the appliance should be located out of traffic and away from furniture and draperies.

CAUTION
Do not expose appliance to the elements (such as rain, etc.)

The first name in fireplaces

1. APPLIANCE LOCATIONS AND SPACE REQUIREMENTS

Figure 1 illustrates a variety of ways the appliance may be located in a room. The NOVUS Series may be installed directly on the floor or raised on a hearth. These appliances are certified for installation in a bedroom, bed/sitting rooms or bathrooms in the U.S. and Canada, provided that the bedroom or bathroom has a volume of at least 540 cubic feet.

Common venting of this gas appliance with other gas appliances is not allowed in multifamily dwellings.

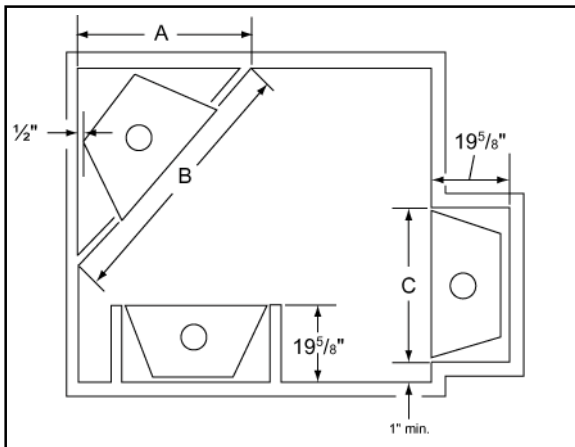


Figure 1
Appliance Locations

MODEL	A	B	C
GNBC30	34 ¹ / ₄ "	48 ¹ / ₂ "	35 ⁷ / ₈ "
GNBC33	36 ¹ / ₄ "	51 ¹ / ₄ "	38 ⁷ / ₈ "
GNBC36	38 ³ / ₈ "	54 ¹ / ₄ "	41 ⁷ / ₈ "

2. CLEARANCES

Figure 2 shows all clearances that must be maintained around the appliance.

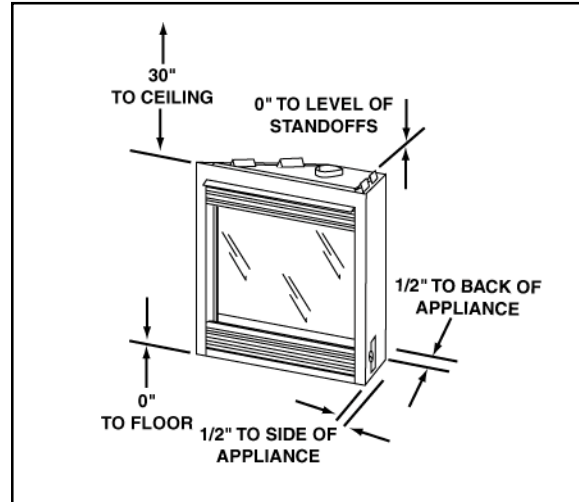


Figure 2
Appliance Clearances to Combustible Materials

We strongly recommend that you **DO NOT** install B-Vent Gas Appliances in strong negative air locations, such as a basement or a public facility. Living rooms with cathedral ceilings could be susceptible to a negative air situation, but such installations can be overcome through raising the termination, depending on specific installations. This appliance uses room air for normal operation and could have problems establishing a positive draft in a negative air location. In lieu, we recommend a direct vent appliance.

C. FRAMING

Figure 3 shows a typical framing of this appliance using combustible materials. All required clearances to combustibles must be adhered to.

MODEL	A
GNBC30	35 ⁷ / ₈ "
GNBC33	38 ⁷ / ₈ "
GNBC36	41 ⁷ / ₈ "

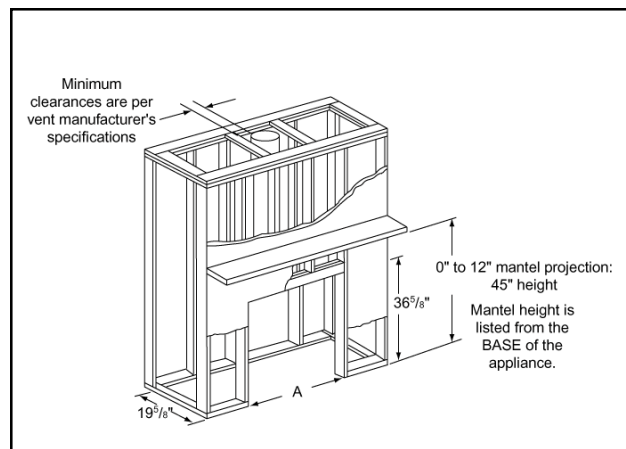


Figure 3 - Framing

CAUTION
Wear gloves and safety glasses for protection.

The first name in fireplaces

The first name in fireplaces

CAUTION

Provide adequate clearances around the air openings into the combustion chamber and adequate accessibility clearances for servicing and proper operation.

D. SETTING THE APPLIANCE

1. POSITIONING THE APPLIANCE

This appliance may be placed on a smooth combustible or noncombustible, continuous flat surface. When the appliance is installed directly on carpeting, tile or other combustible material other than wood flooring, the appliance shall be installed on a metal or wood panel extending the full width and depth of the appliance. Slide the appliance into position and level from side-to-side and front-to-back. Shim with noncombustible materials as necessary.

Secure the appliance by bending out the nailing flanges on each side of the appliance and nail to framing. The nailing flanges have been positioned 5/8 inch back from the front of the appliance to allow the addition of drywall.

WARNING!

To prevent contact with sagging or loose insulation, the appliance must not be installed against vapor barriers or exposed insulation. Localized overheating could occur and a fire

E. VENTING

1. VENT HEIGHT

This appliance requires a 5" B-vent for operation. **Never downsize pipe.** It must be terminated above the roof line. Follow all B-vent requirements and installation instructions, including minimum clearances.

The minimum height of vent installation must be nine feet from the top or twelve feet from the base of the appliance. Horizontal run must never exceed 50% of the height of the vent system as shown in Figure 4.

2. ATTACHING VENTING

- a. **Assembling Vent Sections.** Attach straight vent section to the top of appliance. Use only B-vent sections.
- b. **Attaching the Vent to the Collar Shield.** Three tabs extend from the collar shield to the B-vent section. Screw the tabs to the B-vent section using self-tapping screws.
- c. **Using Elbows.** Elbows exceeding 45° from the vertical shall be considered horizontal and therefore adapt horizontal run limitations. See Figure 5.

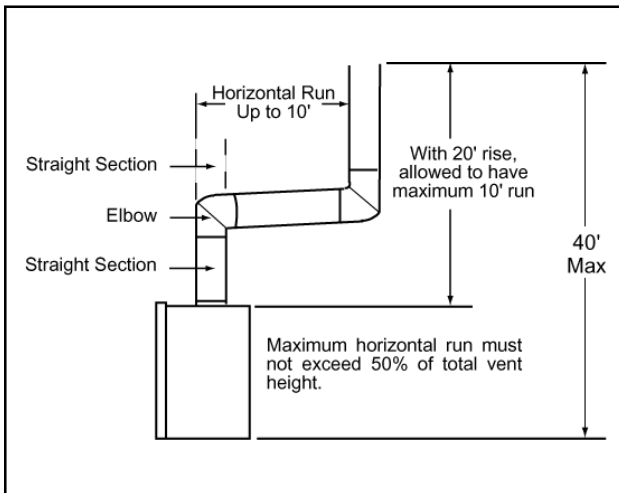


Figure 4
Venting Off the Top of Appliance

Note: Vertical rise off the top of the firebox before elbowing creates a less restrictive venting environment.

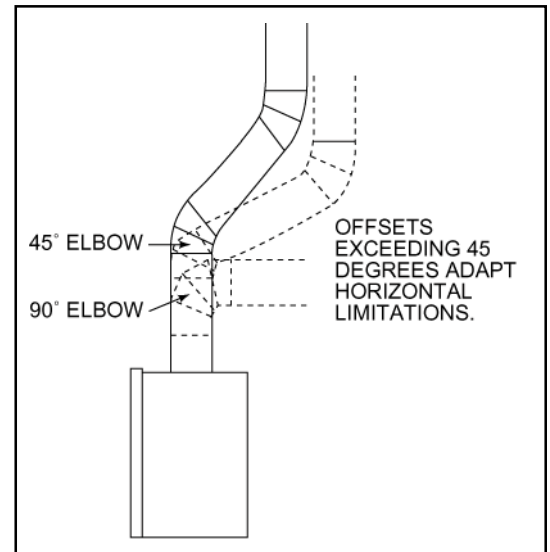


Figure 5 - Using Elbows

WARNING - RISK OF FIRE

Always maintain minimum clearances or greater around the vent system. Do not pack air spaces with insulation or other material. The flow of combustion and ventilation air must not be obstructed.

WARNING!

The horizontal run of vent must have a 1/4" rise for every 1 ft. of run towards the termination. Never allow the vent to run downward. This could cause high temperatures and may present a fire hazard.

3. FIRESTOP SPACER/VENT INSTALLATION

Frame an opening and install a firestop spacer whenever the vent penetrates a ceiling/floor area, as shown in Figure 6. Frame the opening with the same sized lumber as used in the ceiling/floor joist. Unless the flue is offset, the hole should be directly above the appliance. **DO NOT** pack insulation around the vent. Assemble vent sections with three screws per joint.

WARNING!

When vent sections exceeding three feet in length are installed between an offset/return, structural support must be provided to reduce off-center loading and prevent vent sections from separating at the vent joints. Follow all B-vent manufacturer guidelines.

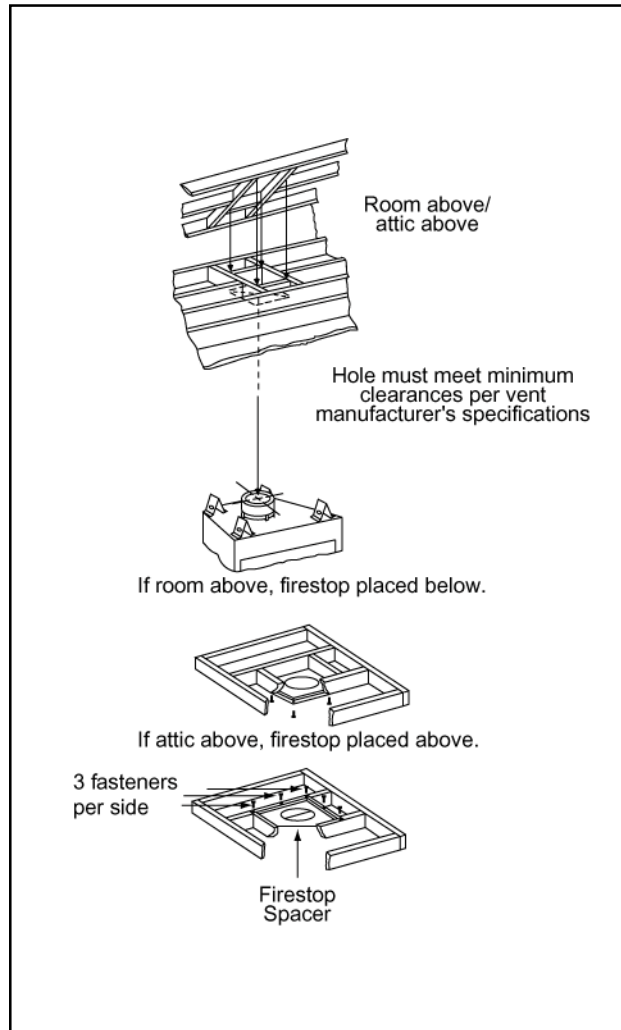


Figure 6
Installing the Firestop Spacer

4. CHASE/TERMINATION INSTALLATION

Figure 7 and Table 1 specify minimum vent heights for various pitched roofs. Vent sections may have to be cut to a certain length.

These vent heights are necessary for safety and do not ensure draft-free operation. Trees, buildings, adjoining roof lines, adverse conditions, etc., may create a need for a taller vent should down drafting occur.

The first name in fireplaces

The first name in fireplaces

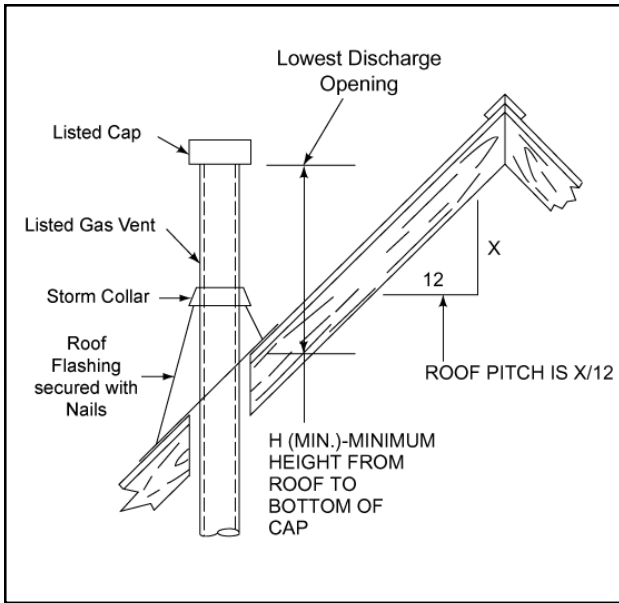


Figure 7
Vent Height for Vertical Termination

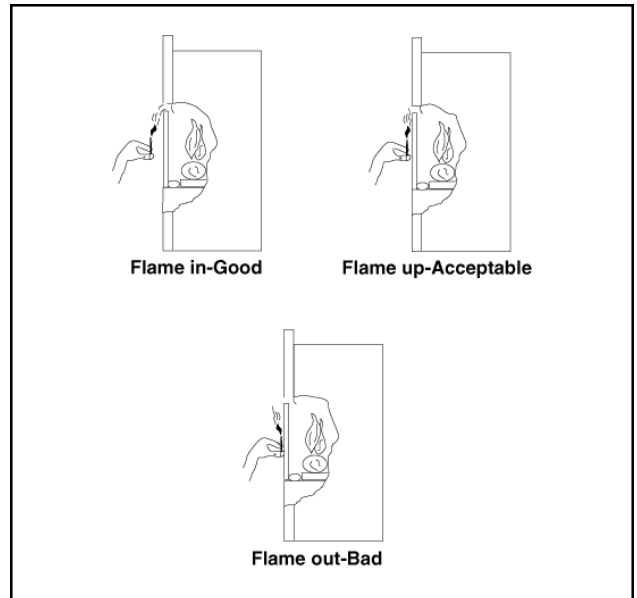


Figure 8
Testing Ventilation

<u>Roof Pitch</u>	<u>H (Min.) Ft.</u>
Flat to 6/12	1.0
6/12 to 7/12	1.25
Over 7/12 to 8/12	1.5
Over 8/12 to 9/12	2.0
Over 9/12 to 10/12	2.5
Over 10/12 to 11/12	3.25
Over 11/12 to 12/12	4.0
Over 12/12 to 14/12	5.0
Over 14/12 to 16/12	6.0
Over 16/12 to 18/12	7.0
Over 18/12 to 20/12	7.5
Over 20/12 to 21/12	8.0

Table 1
Vent Height

5. CHECK VENTING SYSTEM

Check the venting system to assure proper operation. This can be done with a match while the appliance is operating.

Hold a lighted match at the bottom edge of the draft hood opening. If the flames and smoke remain upright, ventilation is acceptable. If the flames and smoke are drawn into the draft hood, this means ventilation is good. If the flames and smoke are forced away from the draft hood, this may indicate a ventilation blockage or down draft resulting in gas spillage into the home. If this occurs, turn off the appliance and do not burn it until it has been inspected by a qualified service person. See Figure 8.

6. INSTALLING AN OUTSIDE AIR KIT (STRONGLY RECOMMENDED)

An AK14 Outside Air Kit should be purchased as a feature with this appliance. An outside air kit helps to decrease the amount of room air taken by utilizing outside air for combustion. Figure 9 illustrates two of many possible methods that can be used to supply outside air to the appliance.

A maximum of 40' of air kit ducting is allowed. The air kit must terminate at least three feet below the venting termination and must terminate to the outside.

WARNING!

Exhaust products of gasoline engines are hazardous. The outside air must not be taken from a garage space, attic spaces, basements or above the roofing where other heating appliances, fans or chimneys exhaust or utilize air.

Note: The outside air kit can terminate at any level with the exception that it must terminate at least one foot below the chimney termination cap.

- a. The air kit can only be installed on the left side of the appliance. See Figures 10 and 11 for correct orientation of the door assembly and handle. The hinge will be toward the back of the appliance.
- b. Remove the cover plate or knockout from the side of the appliance and discard.
- c. Partly open the air kit door. The hinge on the door assembly should be located toward the back of the appliance. If the hinge is not positioned in this manner, the door will not function correctly.
- d. Attach the door assembly to the appliance using the screws provided.
- e. Bend down the left tab on the lower left glass retainer. Insert the narrow end of the handle through the tab and into the upper slot on the air kit door.
- f. Check operation by pulling the handle out to open, and pushing it in to close.
- g. Mark and cut a hole in the building side for air entry. This hole should allow some framing (two sides) so the inlet tube assembly may be fastened properly.
- h. Assemble the flexible duct (not supplied) between the door assembly and the inlet tube assembly. Secure it in position with the supplied wire ties.

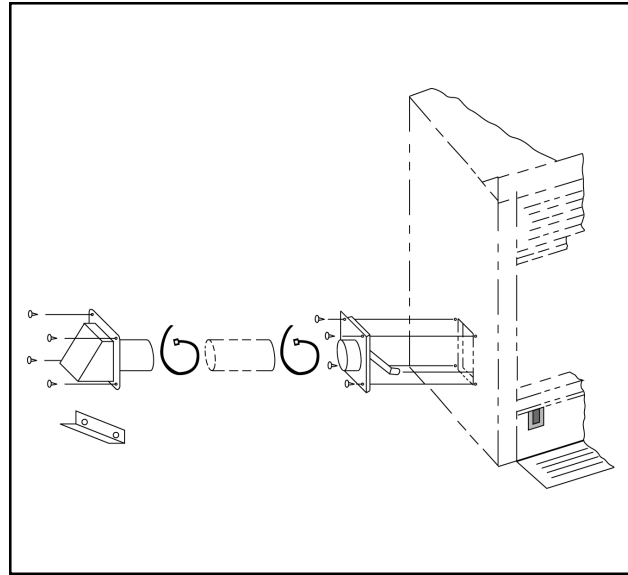


Figure 10 - Air Kit Installation

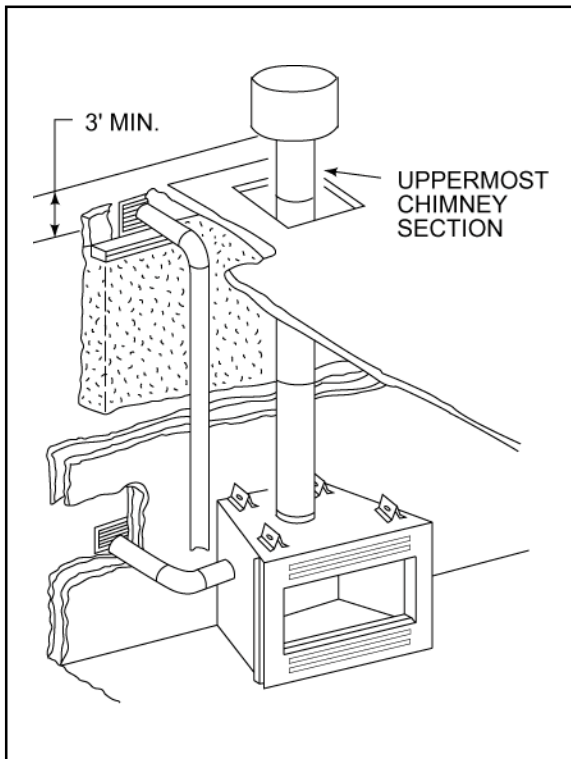


Figure 9 - Outside Air Locations

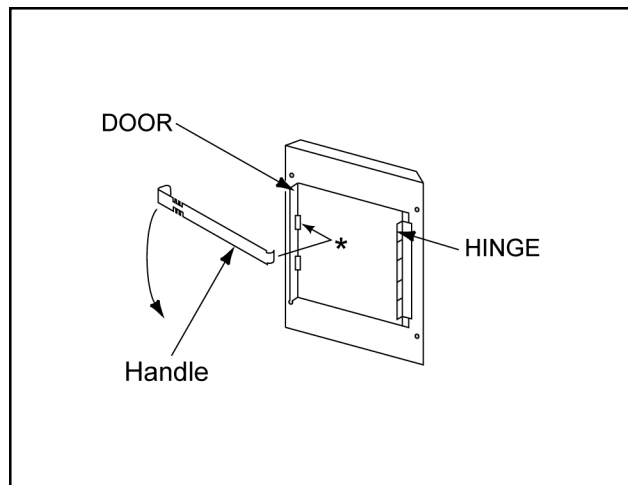


Figure 11 - Air Kit Door Assembly & Handle

The first name in fireplaces

F. UTILITIES

1. HIGH ALTITUDE INSTALLATION

For U.S. installation, appliances are tested and approved for elevations from 0-2000 feet. When installing this appliance at an elevation above 2000 feet, National Fuel Gas Codes require a decrease of the input rating by changing the existing burner orifice to a smaller size. Input should be reduced 4% for each 1000 feet above sea level. Check with the local gas utility for proper orifice size identification. Orifices are available from your distributor.

For Canada, appliances are certified for elevations from 0-4500 feet. When installing this appliance at an elevation between 0-4500 feet in Canada, the input rating does not need to be reduced. When installing this appliance at an elevation above 4500 feet in Canada, check with local authorities.

2. GAS LINE CONNECTION

Open the control access panel as shown in Figures 12 and 13. The appliance is provided with a stainless steel flexible connector and manual shutoff valve. The incoming gas line should be piped into the valve compartment and connected to the 1/2" FIP connection provided on the manual shutoff valve. See Figure 14. All connections must be tightened and checked for leaks with a soap water solution or leak detector. Bleed the gas line to extract any air that may have been trapped inside the pipe.



Figure 12 - Control Access Panel Removal



Figure 13 - Control Access Panel Removal

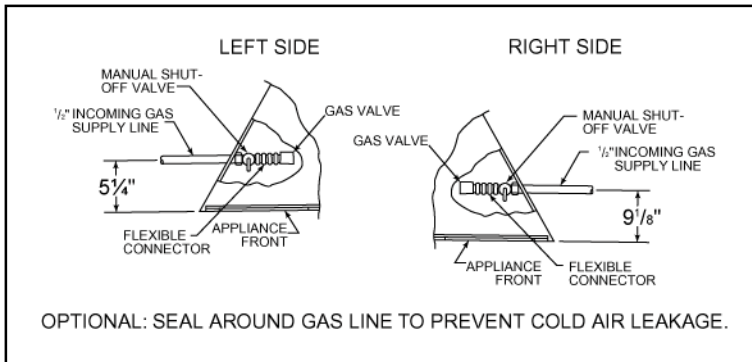


Figure 14 - Gas Line

Note: The appliance and its individual shutoff valve must be disconnected from the gas supply piping system during any pressure testing of that system at test pressures in excess of 1/2 psi (3.5 kPa). The appliance must be isolated from the gas supply piping system by closing its individual manual shutoff valve during any pressure testing of the gas supply piping system at test pressures equal to or less than 1/2 psi (3.5 kPa).

3. GAS PRESSURE

On the standing pilot gas control valve and the electronic valve, a pressure tap is included on the front face of the valve.

Table 2 shows optimum gas pressure information. (The * designates measurement in inches/water column.)

Consult your local gas company for assistance in determining the proper orifice for your altitude or refer to ANSI Z223.1-latest edition, Appendix F.

NOVUS		
Inlet gas Supply pressure - N.G.		4.5 (Min.) - 7.0 (Max.)*
Optimum Manifold pressure - N.G.		3.5*
Inlet Gas Supply pressure - L.P.		11.0 (Min.) - 14.0 (Max.)*
Optimum Manifold pressure - L.P.		10.0*
Input Rate - N.G.	GNBC30	25,000 BTU/hr.
	GNBC33	25,000 BTU/hr.
	GNBC36	27,000 BTU/hr.
Input Rate - L.P.	GNBC33/36	25,000 BTU/hr.
	GNBC30	24,000 BTU/hr.
Orifice Size - N.G.	GNBC36	.101 in./2.56 mm
	GNBC30/33	.096 in./2.43 mm
Orifice Size - L.P.	GNBC30/33/36	.059 in./1.50 mm

* inches/water column

Table 2

4. WIRING

Note: This appliance must be electrically wired and grounded in accordance with local codes or, in the absence of local codes, with National Electric Code ANSI/NFPA 70-latest edition or the Canadian Electric Code, CSA C2.1.

Note: Optional Accessories Requirements: Wiring for optional accessories should be done now to avoid reconstruction.

CAUTION:

Label all wires prior to disconnection when servicing controls. Wiring errors can cause improper and dangerous operation. Verify proper operation after servicing.

a. Standing Pilot Ignition

This standing pilot appliance does not require a 110V AC supply to operate. It is suggested that a switched 110V junction box be installed to power the optional remote control and/or fan.

Only heater listed appliances may be connected to a thermostat. Use a thermostat that is compatible with a millivolt gas valve. See Figure 15.

WARNING!

This appliance does not require a 110VAC supply for operations. Connecting the appliance/wall switch to a 110V AC supply will cause the appliance to malfunction and destroy the valve and thermopile.

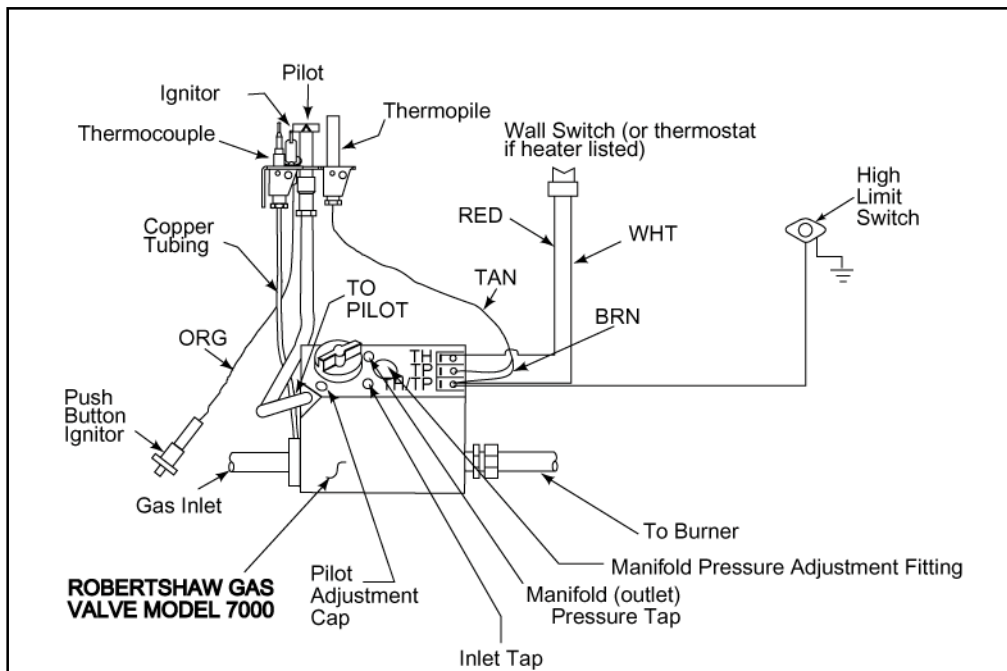


Figure 15 - Standing Pilot Ignition Wiring Diagram

The first name in fireplaces

b. Electronic Ignition

- 1) This electronic ignition appliance requires a 110V AC supply to operate. It is suggested that a switched 110V junction box be installed to power the optional remote control and/or fan.
- 2) Only heater listed appliances may be connected to a thermostat. If connecting a 24V thermostat (not supplied), disconnect the black wire from the transformer or high limit switch at the ignition control. Connect the thermostat wires between the ignition control box and the black wire (from transformer or high limit switch). See Figure 16.

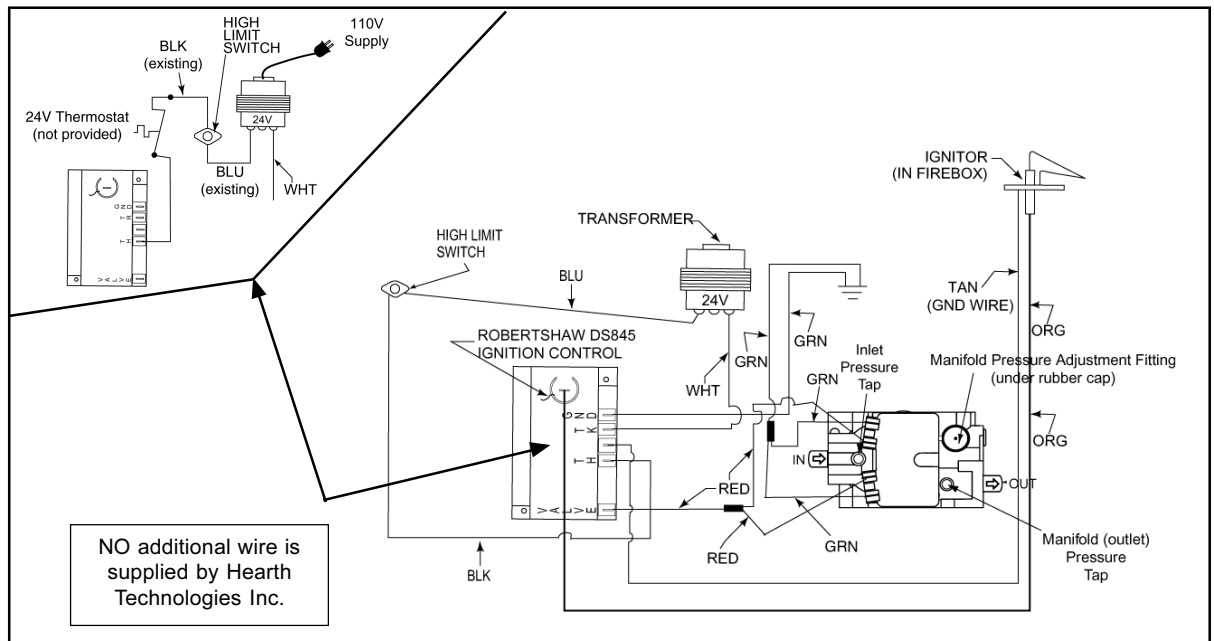


Figure 16 - Electronic Ignition Wiring Diagram

c. Junction Box Wiring

We recommend you operate the two outlets on separate circuits. This allows independent operation of the appliance and fan. Independent operation is obtained by using minimum 14-3 with ground Romex and separating the two outlets by breaking out the tab as shown in Figure 17.

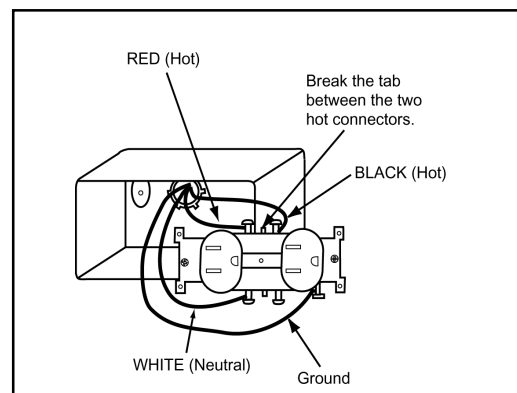


Figure 17 - Junction Box Detail

The first name in fireplaces

G. FINISHING

1. COMBUSTIBLE FINISHING MATERIAL

Material made of or surfaced with wood, compressed paper, plant fibers, plastics, or any material capable of igniting and burning, whether flame proofed or not, plastered or unplastered (this includes drywall).

2. NONCOMBUSTIBLE FINISHING MATERIAL

Material which will not ignite and burn. Such materials are those consisting entirely of steel, iron, brick, tile, concrete, slate, glass or plasters, or combination thereof, or have a UL Fire rating of Zero (0).

3. HIGH TEMPERATURE SEALANT MATERIAL

Sealants that will withstand high temperatures: General Electric RTV103 (Black) or equivalent. Rutland, Inc. Appliance Mortar #63, or equivalent.

A high temperature sealant, 1/8" inch wide minimum, must be used to close off gaps between the appliance and facing to prevent cold air leaks. See Figure 18.

Note: If an optional fan or hand held remote control are to be used, wiring must be done prior to finishing to avoid reconstruction.

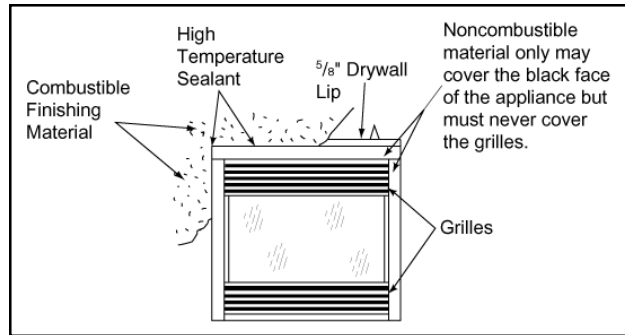


Figure 18 - Finishing Materials

WARNING!
Grilles on this appliance cannot, in any way, be covered as it may create a fire hazard.

Note: The remote wall switch must be wired prior to applying the finishing material in order to avoid reconstruction.

H. APPLIANCE PREPARATION

1. ATTACHING THE HOOD

The hood is to be located above the glass panel. The hood must be attached or a fire hazard may result. Locate the four screws just inside the upper section of the appliance. Position the hood and slide into position. Tighten the four screws. See Figure 19.



Figure 19 - Hood Placement

2. UPPER GRILLE PANEL REMOVAL

Grasp the upper grille panel and remove the rubber pins holding the grille. See Figure 20.

3. CONTROL ACCESS PANEL REMOVAL

Release the spring pin on the right hand side of the control access panel. See Figure 21.

4. GLASS AND SCREEN REMOVAL

See page 20 of this manual.



Figure 20 - Upper Grille Panel Removal



Figure 21 - Control Access Panel Removal

The first name in fireplaces

The first name in fireplaces

5. APPLIANCE PREPARATION

a. Log Set

The log set should look similar to that in Figure 22.



Figure 22 - Log Set for NOVUS

b. Placing the Lava Rock and Vermiculite

See Figure 23 for lava rock and vermiculite placement.

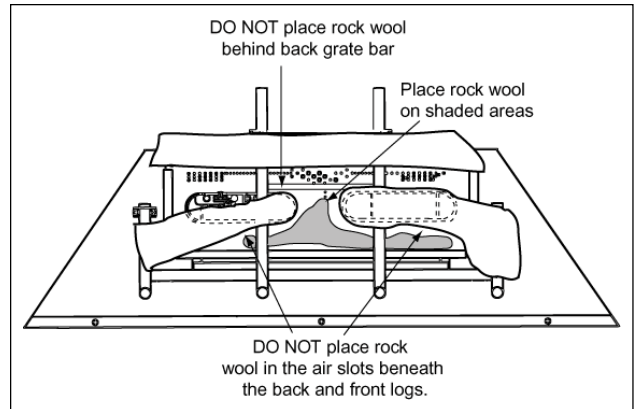
c. Placing the Rock Wool

Place a small amount of 1/2" diameter pieces (dime-size) of rock wool on the burner pan so that the rock wool touches but does not cover the holes in the burner pan. This will provide the "glowing embers" look. See Figure 23.

WARNING! RISK OF CARBON MONOXIDE!
Do not hit or strike glass. Do not operate this appliance with the glass removed, broken, or not sealed.

6. GLASS AND SCREEN REPLACEMENT

See page 20 of this instruction manual.



**Figure 23
Placing the Rock Wool
(top logs removed for clarity)**

7. CONTROL ACCESS PANEL PLACEMENT

Place the control access panel as shown in Figure 24.



Figure 24 - Control Access Panel

I. DETERMINING THE IGNITION TYPE

To determine whether your appliance is an electronic ignition or a standing pilot ignition, open the control access panel to examine the wiring system. If your system has a red ignitor button, as shown in Figure 25, you own a standing pilot ignition appliance. If no red ignitor button is present, you own an electronic ignition appliance.

You may also check the rating label located on the inside of the control access panel to determine ignition type.

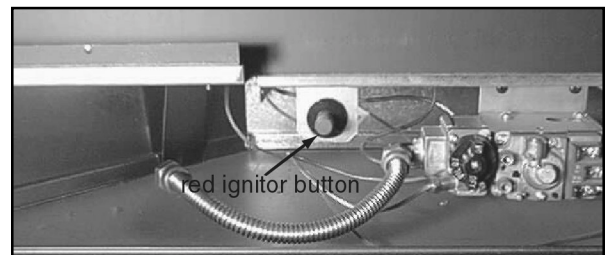


Figure 25 - Standing Pilot Ignition

J. LIGHTING INSTRUCTIONS

1. ELECTRONIC IGNITION

FOR YOUR SAFETY READ BEFORE OPERATING

WARNING!

If you do not follow these instructions exactly, a fire or explosion may result causing property damage, personal injury or loss of life.

- A. This appliance does not have a pilot. It is equipped with an ignition device which automatically lights the burner. Do not try to light the burner by hand.
- B. BEFORE OPERATING smell all around the appliance area for gas. Be sure to smell next to the floor because some gas is heavier than air and will settle on the floor.

WHAT TO DO IF YOU SMELL GAS

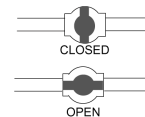
- Do not try to light any appliance.
 - Do not touch any electric switch; do not use any phone in your building.
 - Immediately call your gas supplier from a neighbor's phone. Follow the supplier's instructions.
 - If you cannot reach your gas supplier, call the fire department.
- C. Use only your hand to turn the manual shutoff valve. Never use tools. If the manual shutoff valve will not move by hand, don't try to repair it - call a qualified service technician. Force or attempted repair may result in a fire or explosion.
 - D. Do not use the appliance if any part has been under water. Immediately call a qualified service technician to inspect the appliance and to replace any part of the control system and any gas control which has been under water.

LIGHTING INSTRUCTIONS

1. STOP! Read the safety information above on this label.
2. Turn wall switch to the "OFF" position.
3. This appliance is equipped with an ignition device which automatically lights the burner. Do not try to light burner by hand.
4. Wait five (5) minutes to clear out any gas. If you then smell gas, STOP! Follow "B" in the safety information above on this label. If you don't smell gas, go on to the next step.
5. To turn on burner, turn on the wall switch.
6. If the appliance will not operate, follow the instructions "TO TURN OFF GAS TO APPLIANCE" and call your service technician or gas supplier.

TO TURN OFF GAS TO APPLIANCE

1. Turn off the wall switch or set the thermostat to the lowest setting.
2. Turn off all electric power to the appliance if service is to be performed.
3. Turn the manual shutoff valve to the closed position. Do not force.
4. Close control access panel.



The first name in fireplaces

The first name in fireplaces

2. STANDING PILOT IGNITION

FOR YOUR SAFETY READ BEFORE LIGHTING THE STANDING PILOT.

WARNING!

If you do not follow these instructions exactly, a fire or explosion may result causing property damage, personal injury or loss of life.

- A. This appliance has a pilot which must be lighted by hand. When lighting the pilot, follow these instructions exactly.
- B. BEFORE LIGHTING smell all around the appliance area for gas. Be sure to smell next to the floor because some gas is heavier than air and will settle on the floor.

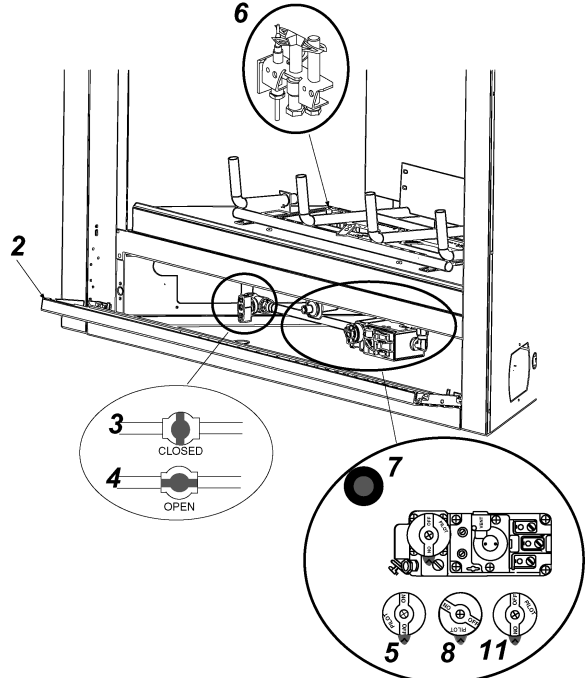
WHAT TO DO IF YOU SMELL GAS

- Do not try to light any appliance.
 - Do not touch any electric switch; do not use any phone in your building.
 - Immediately call your gas supplier from a neighbor's phone. Follow the supplier's instructions.
 - If you cannot reach your gas supplier, call the fire department.
- C. Use only your hand to push in or turn knob. Never use tools. If the knob will not push in or turn by hand, don't try to repair it; call a qualified service technician. Force or attempted repair may result in a fire or explosion.
 - D. Do not use this appliance if any part has been under water. Immediately call a qualified service technician to inspect the appliance and to replace any part of the control system and any gas control which as been under water.

LIGHTING INSTRUCTIONS

STOP! READ THE SAFETY INFORMATION ABOVE ON THIS LABEL!

1. Turn wall switch to the "OFF" position or set thermostat to lowest setting.
2. Lower control access panel.
3. Turn manual shutoff valve to "CLOSED". Wait 5 minutes to clear out any gas. Then smell for gas, including near the floor. If you smell gas, STOP! Follow "B" in the safety information above on this label. If you don't smell gas, go to the next step.
4. Turn manual shutoff valve to "OPEN".
5. Turn pilot knob clockwise to "OFF". Knob may have to be depressed to pass the "PILOT" position.
6. Locate pilot assembly inside firebox.
7. Locate red ignitor button.
8. Turn pilot knob to "PILOT" and push in.
9. Continue to hold in pilot knob and push the red ignitor button 12-15 times until small blue pilot flame appears.
10. Continue to hold in pilot knob for approximately one minute. Pilot should remain lit. If pilot goes out, wait 5 minutes and repeat Steps 4-9.
11. Release and turn the knob counterclockwise to "ON". To light main burner, turn wall switch to "ON". Do not light by hand.
12. If the appliance will not operate, follow the instructions "To Turn Off Gas To Appliance" and call your service technician or gas supplier.



TO TURN OFF THE GAS TO THE APPLIANCE

1. Turn off the wall switch or set thermostat to lowest setting.
2. Open control access panel.
3. Turn the manual shutoff valve to CLOSED position. Do not force.
4. Close control access panel.

Note: To light main burner, turn the Wall Switch to "ON". Do not light by hand.

K. SEASONAL CHECKLIST

WARNING!

Children and adults should be alerted to the hazards of high surface temperatures and should stay away to avoid burns or clothing ignition. Young children should be carefully supervised when they are in the same room as the appliance.

CAUTION

Any safety screen or guard removed for servicing an appliance must be replaced prior to operating this appliance.

Clothing or other flammable material should not be placed on or near the appliance.

Installation and repair should be done by a qualified service person. The appliance should be inspected before use and at least annually by a qualified service person. More frequent cleaning may be required due to excessive lint from carpeting, bedding material, etc. It is imperative that control compartments, burners and circulating air passageways of the appliance be kept clean.

BEFORE OPERATING THIS APPLIANCE HAVE A QUALIFIED TECHNICIAN:

- * Review proper placement of logs, rock wool, lava rock, and vermiculite.
- * Check the wiring.
- * Check the air shutter adjustment.
- * Ensure that there are no gas leaks.
- * Ensure that the glass is sealed and in the proper position.
- * Ensure that the flow of combustion and ventilation air is not obstructed.

WARNING!

Keep the area near the appliance clear and free from combustible materials, Gasoline and other flammable vapors and liquids.

WARNING!

Do not use this appliance if any part has been under water. Immediately call a qualified service technician to inspect the appliance and to replace any part of the control system and any gas control which has been under water.

1. STANDING PILOT IGNITION OPERATION

Hearth Technologies Inc. recommends you leave the pilot on year round.

If you decide to shut down the appliance for a long period of time:

- a. Turn all wall switches to OFF.
- b. Turn pilot knob on valve to OFF.
- c. Turn the manual shutoff valve to CLOSED.

Lighting the appliance during regular use: Turn the wall switch to ON.

Shutdown during regular use: Turn the wall switch to OFF.

2. ELECTRONIC IGNITION OPERATION

To shut down the appliance for a long period of time:

- a. Turn all wall switches to OFF.
- b. Turn the manual shutoff valve to CLOSED.

Lighting the Appliance During Regular Use: Turn the wall switch to ON.

Shutdown During Regular Use: Turn the wall switch to OFF.

3. FUEL

Do not burn wood or other material in this appliance.

Natural or propane gas conversions necessary to meet the application need to be made by a qualified technician using Heatilator brand specified and approved parts.

In the event your appliance must be converted to use propane gas, you must use a CKVP Conversion Kit. To convert to use natural gas, you must use a CKVN Conversion Kit.

The first name in fireplaces

The first name in fireplaces

4. OUTSIDE AIR KIT OPERATION

The outside air kit should be purchased with this appliance. The outside air kit helps to decrease the amount of room air taken, by utilizing outside air for combustion. It is strongly recommended that it be installed.

To operate the outside air kit, before starting the appliance, open the control compartment of the appliance by rotating down the bottom grille panel. Grasp the small, black handle located on the left side of the appliance, just below the glass retainer. See Figure 26. Lift the handle out of its slot and pull towards the front. The outside air door should open. Replace the handle back in the slot on the bracket from which it was removed (so the outside air door remains open) and close the lower grille panel. When through burning the appliance, lower the panel, grasp the handle and push the outside air door closed.

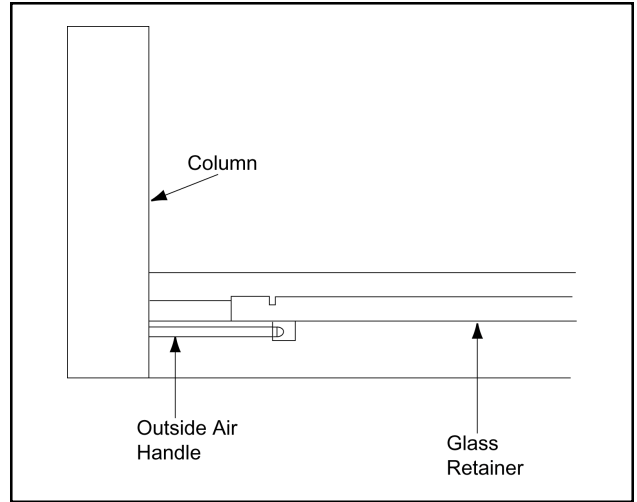


Figure 26 - Outside Air Kit Operation

L. START-UP ISSUES

Issues:	Possible Causes and Solutions:
1. Condensation on the glass.	1. This is a result of gas combustion and temperature variations. As the appliance warms up, this condensation should disappear.
2. Blue flames.	2. This is a result of normal operation and the flames will begin to yellow as the appliance is allowed to burn.
3. Odor from the appliance.	3. When first operated, this appliance may release an odor for the first several hours. This is caused by the curing of the paint and the burning off of any oils remaining from manufacturing.
4. Film on the glass.	4. This is a normal result of the curing process of the paint and logs. Glass should be cleaned within 4-6 hours of initial burning to remove deposits left by oils from the manufacturing process. A non-abrasive cleaner, such as Brasso may be necessary.

WARNING!

Never use gasoline, gasoline-type lantern fuel, kerosene, charcoal lighter fluid or similar liquids in this appliance. Keep any flammable liquids a safe distance from the appliance.

M. MAINTENANCE INSTRUCTIONS

1. CLEANING THE BURNER AND CONTROL COMPARTMENT

Keep the burner and control compartment clean by brushing and vacuuming at least once a year. Failure to do this may shorten the fan's life (where applicable). Always turn off the wall switch (or remote control) and gas valve before cleaning.

2. CHECKING FLAME PATTERNS

Visually check the flame of the burner periodically, making sure the flames are steady, not lifting or floating. The flame color should be blue with yellow tips. The ignitor (electronic) or thermopile and thermocouple (standing pilot) tips should be covered with flame. See Figures 27-29.

If the vent configuration is installed incorrectly, the vent may cause the flames inside the appliance to lift or "ghost", which is a dangerous situation. Inspect the flames after installation to ensure proper performance. See Figure 30. If the vent configuration is correct, yet the flames are lifting or ghosting, shut off gas to the appliance and contact the dealer you purchased the appliance from.

Note: The look of the flames and embers may differ based on the type of fuel and venting assembly that is required.

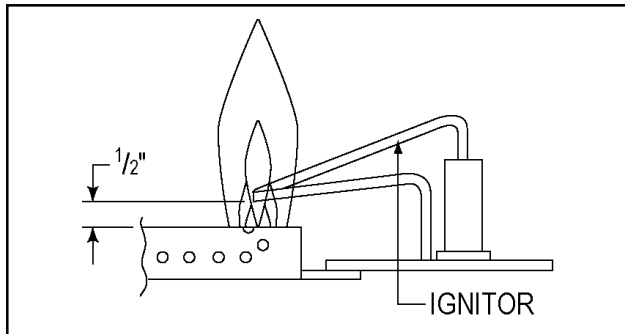


Figure 27
Electronic Ignition

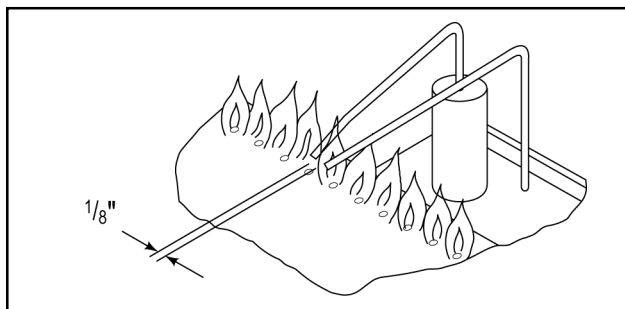


Figure 28
Electronic Ignition

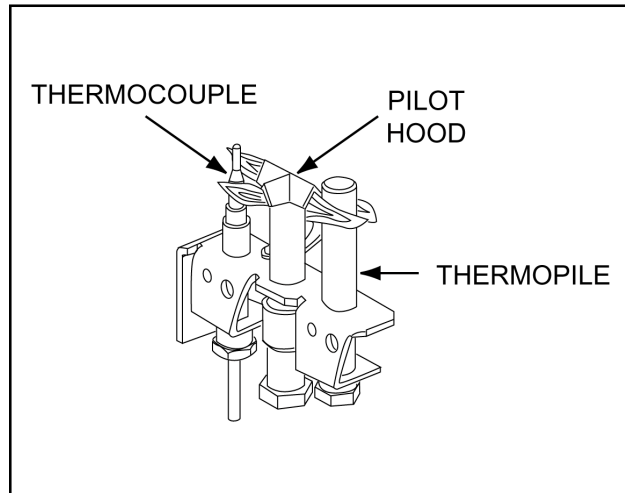


Figure 29 - Standing Pilot

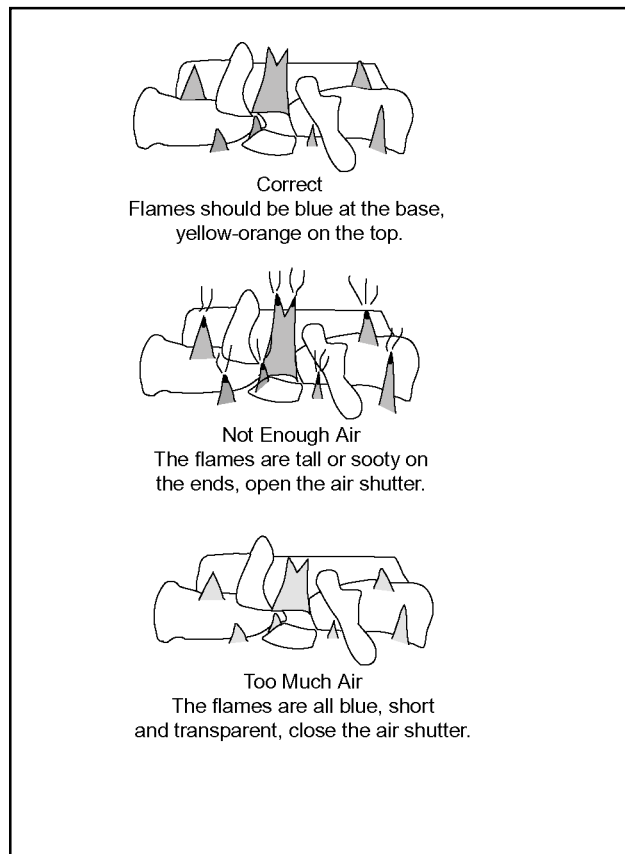


Figure 30
Flame Patterns

The first name in fireplaces

The first name in fireplaces

3. VENTING SYSTEM INSPECTION

The appliance and venting system should be inspected before use, and at least annually, by a qualified field service person, to ensure that the flow of combustion and ventilation air is not obstructed.

4. CLEANING THE GLASS

See Figure 31.

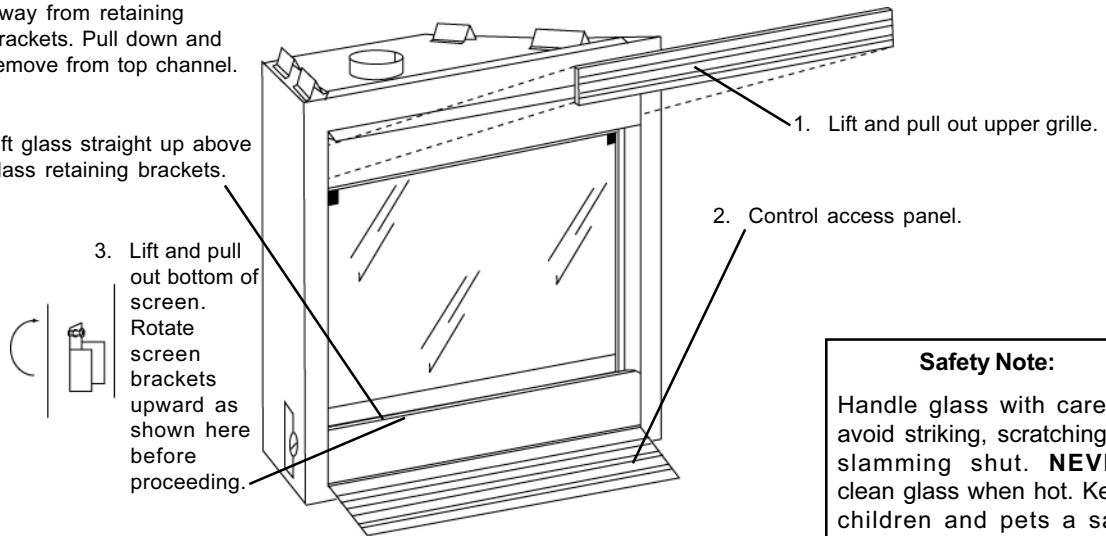
Never operate this appliance without the glass properly secured in place or if the glass is broken.

In the event of glass breakage, carefully remove the glass frame. This will allow the removal of all glass fragments and sheet metal edge protection strips. Vacuum all remaining glass pieces with a shop vac. **DO NOT VACUUM IF PIECES ARE HOT!** Replace glass with only a Heatilator glass panel assembly ordered direct or through your local distributor. Never use substitute material. Only fully tempered soda lime safety glass may be used on this appliance.

- 6. Set glass on nonabrasive surface. Clean using a nonabrasive, mild cleaning solution (i.e. Brasso).
- 7. To replace, ensure glass bottom is set completely down in bottom retainers. Rotate screen brackets down and replace screen.

- 5. Rotate bottom out and away from retaining brackets. Pull down and remove from top channel.

- 4. Lift glass straight up above glass retaining brackets.



Safety Note:
Handle glass with care to avoid striking, scratching or slamming shut. **NEVER** clean glass when hot. Keep children and pets a safe distance away.

Figure 31 - Glass Cleaning

5. LOG REMOVAL/REPLACEMENT

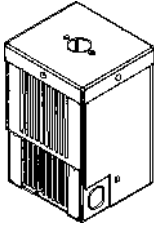
If removal of the logs becomes necessary, remove the two screws at the front of the grate. Grasp the two outside upright grate bars. Pull the log set toward the front and up, off the burner. See Figure 32.

To replace the log set, grasp the two outside upright grate bars. Push and lower the log set onto the burner pan, making sure the back of the left most grate bar slides through the grate mounting bracket attached to the hearth pan. Attach the two screws at the front of the grate.



Figure 32 - Log Removal (33-36 Log Set Shown)

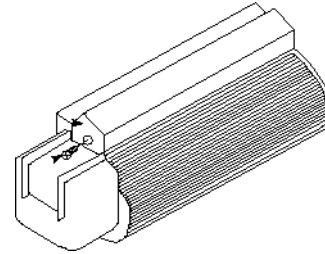
N. OPTIONAL COMPONENTS



BC11
Automatic Variable Blower
Control

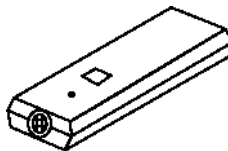
BC10
Fan Motor Rheostat Control

BC14
Automatic Variable Blower
Control



FK4
Fan Kit
(33" & 36" appliances only)

FK21
Fan Kit (30" appliances only)



RC-SMART-HTL
Remote Control
(Standing Pilot)

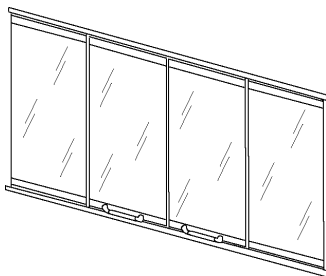
RC-ELEC-HTL
Remote Control
(Electronic Ignition)

RC-BATT-HTL
Battery-operated Remote Control
(Standing Pilot)

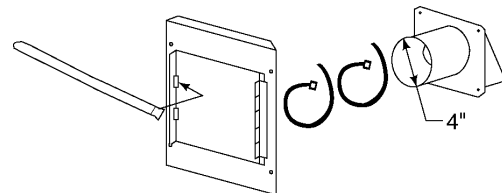
RCT-MLT-HTL
Multi-Function
Remote Control

SMART-STAT-HTL
Remote Control with
Thermostat Control

SMART-BATT-HTL
Battery-operated Remote Control
with Thermostat Control



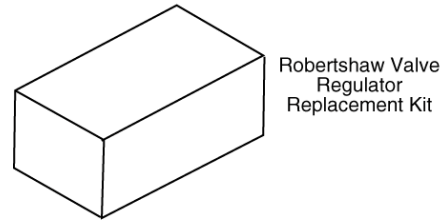
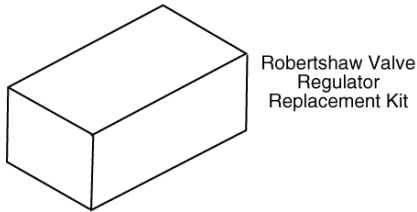
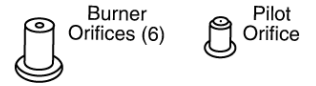
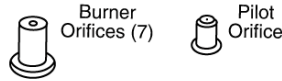
DFN0B
DFN3B
DFN6B
Fixed Glass Door



AK14
Outside Air Kit
(strongly recommended)

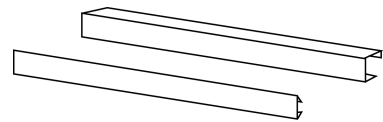
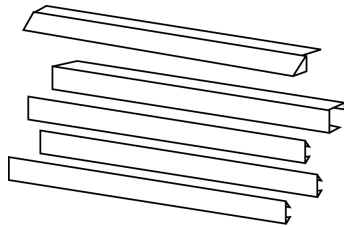
The first name in fireplaces

N. OPTIONAL COMPONENTS (con't)



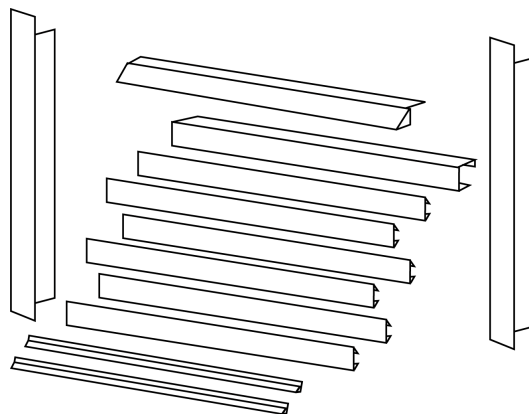
**CKVN Conversion Kit
(propane to natural gas)**

**CKVP Conversion Kit
(natural gas to propane)**



**TKN03A/B, TKN33A/B, TKN63A/B
Trim Kits**

**TKN05A/B, TKN35A/B, TKN65A/B
Trim Kits**



**TKN08A/B, TKN38A/B, TKN68A/B
Trim Kits**

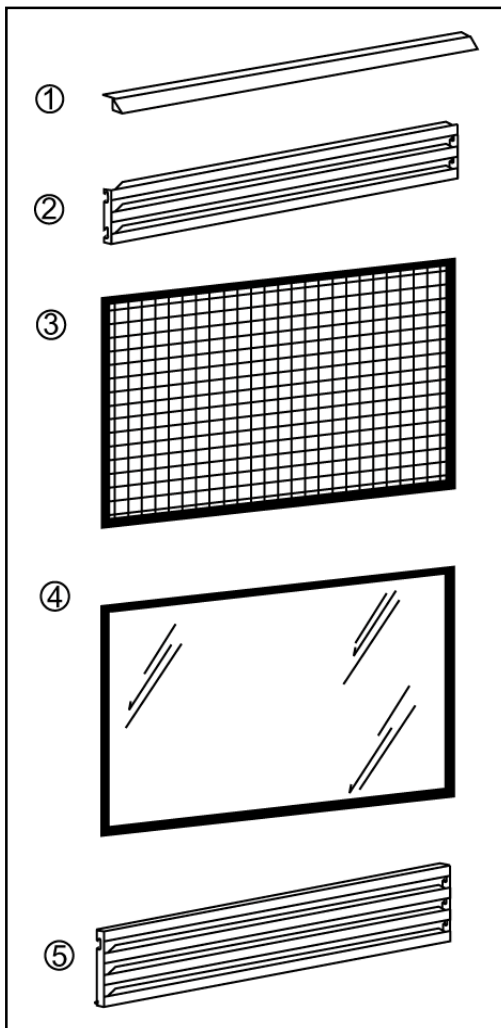
The first name in fireplaces

O. REPLACEMENT PARTS

Replacement parts are available from your distributor/dealer.



6



Item #	Part #	Description	Qty.
1	21993	Hood - 36"	1
	21992	Hood - 33"	1
	21991	Hood - 30"	1
2	22123	Upper Grille - 36"	1
	22122	Upper Grille - 33"	1
	22121	Upper Grille - 30"	1
3	26804	Screen Assembly - 36"	1
	26803	Screen Assembly - 33"	1
	26802	Screen Assembly - 30"	1
4	24523	Glass w/Frame - 36"	1
	24522	Glass w/Frame - 33"	1
	24521	Glass w/Frame - 30"	1
5	21582	Lower Grille - 36"	1
	21581	Lower Grille - 33"	1
	21580	Lower Grille - 30"	1
6	34051	33/36" Novus Log/Grate Assy.	1
	34923	30" Novus Log/Grate Assy.	1

Visit our Website @www.heatilator.com
for a dealer/distributor near you!

The first name in fireplaces

Homeowner's Notes Page

The first name in fireplaces

Homeowner's Notes Page

The first name in fireplaces

Homeowner's Notes Page

The first name in fireplaces

Index

- A**
- Appliance Preparation
 - Lava Rock 14
 - Rock Wool 14
 - Vermiculite 14
- B**
- Blue Flames 18
 - Burner and Control Compartment 19
- C**
- Certification 3
 - Chase 7
 - Clearances 4, 5
 - Codes 3
 - Collar Shield 6
 - Combustible Finishing Material 13
 - Conversion Kits 17, 22
- E**
- Elbows, using 6
 - Electronic Ignition 19
 - Operation 17
- F**
- Finishing Material
 - Combustible 13
 - High Temperature Sealant 13
 - Noncombustible 13
 - Firestop Spacer 7
 - Flame Patterns 19
 - Framing 5
 - Fuel 17
- G**
- Glass
 - Condensation 18
 - Film on 18
- H**
- High Temperature Sealant 13
 - Hood 13
- I**
- Ignition
 - Determining the Type 14
 - Electronic 17, 19
 - Standing Pilot 17
- L**
- Lava Rock 14
 - Lighting Instructions
 - Electronic Ignition 15
 - Standing Pilot Ignition 16
 - Location 4
 - Locations 5
 - Log Removal/Replacement 20
 - Lot Set 14
- M**
- Maintenance
 - Burner & Control Compartment 19
 - Flame Patterns 19
- N**
- Nomenclature 4
 - Noncombustible Finishing Material 13
- O**
- Odor 18
 - Optional Components 21, 22
 - Outside Air Kit 8, 9
 - Operation 18
- P**
- Positioning the Appliance 6
 - Preparation
 - Certification 3
 - Codes 3
- R**
- Replacement Parts 23
 - Rock Wool 14
- S**
- Seasonal Checklist 17
 - Electronic Ignition Operation 17
 - Fuel 17
 - Standing Pilot Ignition Operation 17
 - Space Requirements 5
 - Standing Pilot Ignition
 - Operation 17
 - Start-up Issues
 - Blue Flames 18
 - Condensation on Glass 18
 - Film on Glass 18
 - Odor 18
- T**
- Termination Installation 7
- U**
- Upper Grille 13
 - Utilities
 - Gas Line Connection 10
 - Gas Pressure 10
 - High Altitude Installation 10
 - Wiring 11
 - Electronic Ignition 12
 - Junction Box 12
 - Standing Pilot Ignition 11
- V**
- Ventilation 8
 - Venting
 - Attaching to the Appliance 6
 - Check the System 8
 - System Inspection 20
 - Vent Height 6
 - Vermiculite 14
 - Vertical Installation 3
- W**
- Wiring
 - Electronic Ignition 12
 - Junction Box 12
 - Standing Pilot Ignition 11

The first name in fireplaces

heatilator®

The first name in fireplaces

Hearth Technologies-Mt. Pleasant
1915 W. Saunders Street
Mt. Pleasant, Iowa 52641
Division, HON INDUSTRIES
www.heatilator.com

Gas Appliance (Fireplace) Limited Lifetime Warranty

HEARTH TECHNOLOGIES INC. ("HTI") extends the following warranty for HEATILATOR® gas appliances installed in the United States of America or Canada (the "Appliance"). Dealers and employees of HTI have no authority to make any warranty or authorize any remedies in addition to or inconsistent with the terms of this warranty.

Limited Lifetime Warranty.

HTI warrants the Appliance for component failure due to a manufacturing defect of any of the following components: combustion chamber, burner pan, and logs. The Limited Lifetime Warranty specified above is subject to the conditions, exclusions and limitations listed below, is for the period the Appliance is owned by the original homeowner only, and is nontransferable.

1 Year Limited Warranty.

HTI warrants the Appliance to be free from failure of any of the following components for a period of one year after installation: valve, flexible gas line connector, glass panel, fan, direct vent chimney components, factory paint, gasket, piezo ignitor, thermopile, thermocouple, junction box, pilot assembly, shutoff valve, high limit switch, refractory liners, transformer, and control box. If the Heatilator Appliance is found to be defective in either material or workmanship within one year of the date of original installation, HTI will provide replacement parts at no charge and pay reasonable labor and freight costs, and is for the period of one year following the date of original installation of the Appliance.

Conditions, Exclusions, & Limitations of Liability.

- A.** Both the Limited Lifetime and 1 Year Limited Warranties supplied by HTI apply only while the Appliance is in its location of original installation. HTI's obligation under this warranty does not extend to damages resulting from (1) installation, operation or maintenance of the Appliance not in accordance with the Installation Instructions, Operating Instructions, and the Listing Agent Identification Label furnished with the Appliance; (2) installation which does not comply with local building codes; (3) shipping, improper handling, improper operation, abuse, misuse, accident or unworkmanlike repairs; (4) environmental conditions, inadequate ventilation or drafting caused by tight sealing construction of the structure, air handling devices such as exhaust fans or forced air furnaces, or other causes; (5) use of fuels other than those specified in the Operating Instructions; (6) installation or use of components not supplied with the Appliance or any other components not expressly authorized and approved by HTI; and/or (7) modification of the Appliance not expressly authorized and approved by HTI in writing. This warranty is limited to only the component parts manufactured or supplied by HTI.
- B.** HTI's liability under both the Limited Lifetime Warranty and the 1 Year Limited Warranty is limited to the replacement and repair of defective components or workmanship during the applicable period. HTI may fully discharge all of its obligations under such warranties by repairing the defective component(s) or at HTI's discretion, providing replacement parts at no charge and paying reasonable labor and freight costs.
- C. EXCEPT TO THE EXTENT PROVIDED BY LAW, HTI MAKES NO EXPRESS WARRANTIES OTHER THAN THE WARRANTY SPECIFIED HEREIN. THE DURATION OF ANY IMPLIED WARRANTY IS LIMITED TO DURATION OF THE WARRANTY SPECIFIED ABOVE.**
- D.** Some states do not allow exclusions or limitations of incidental or consequential damages, so those limitations may not apply to you. This warranty gives you specific rights; you may also have other rights which vary from state to state.

How to Obtain Service.

To obtain service under this warranty you must:

1. Send written notice of the claimed condition to Heatilator Technical Service Department, Hearth Technologies Inc., 1915 W. Saunders Street, Mt. Pleasant, Iowa 52641-1563. You may also register your claim online at www.heatilator.com/contact.asp.
2. Provide proof of purchase, model number, serial number, and manufacturing date code to HTI.
3. Provide HTI reasonable opportunity to investigate the claim, including reasonable opportunity to inspect the Appliance prior to any repair or replacement work and before the Appliance or any component of the Appliance has been removed from the place of original installation.
4. Obtain HTI's consent to any warranty work before the work is done.

ADDITIONAL INFORMATION. If you would like information on current HEATILATOR products or want to locate a dealer in your area, call 1-800-843-2848.

©2001 Heatilator® is a Registered Trademark of Hearth Technologies Inc.