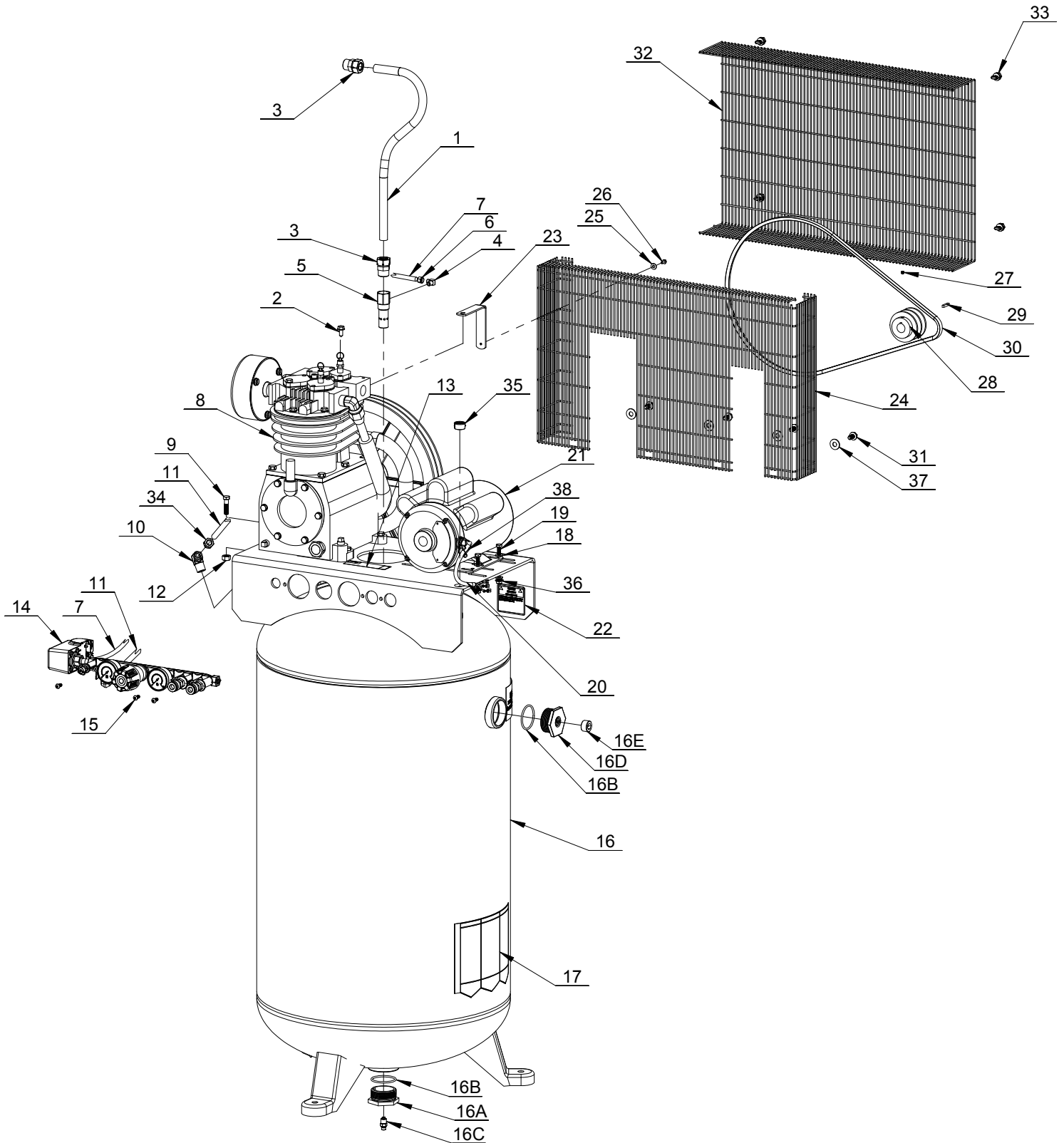


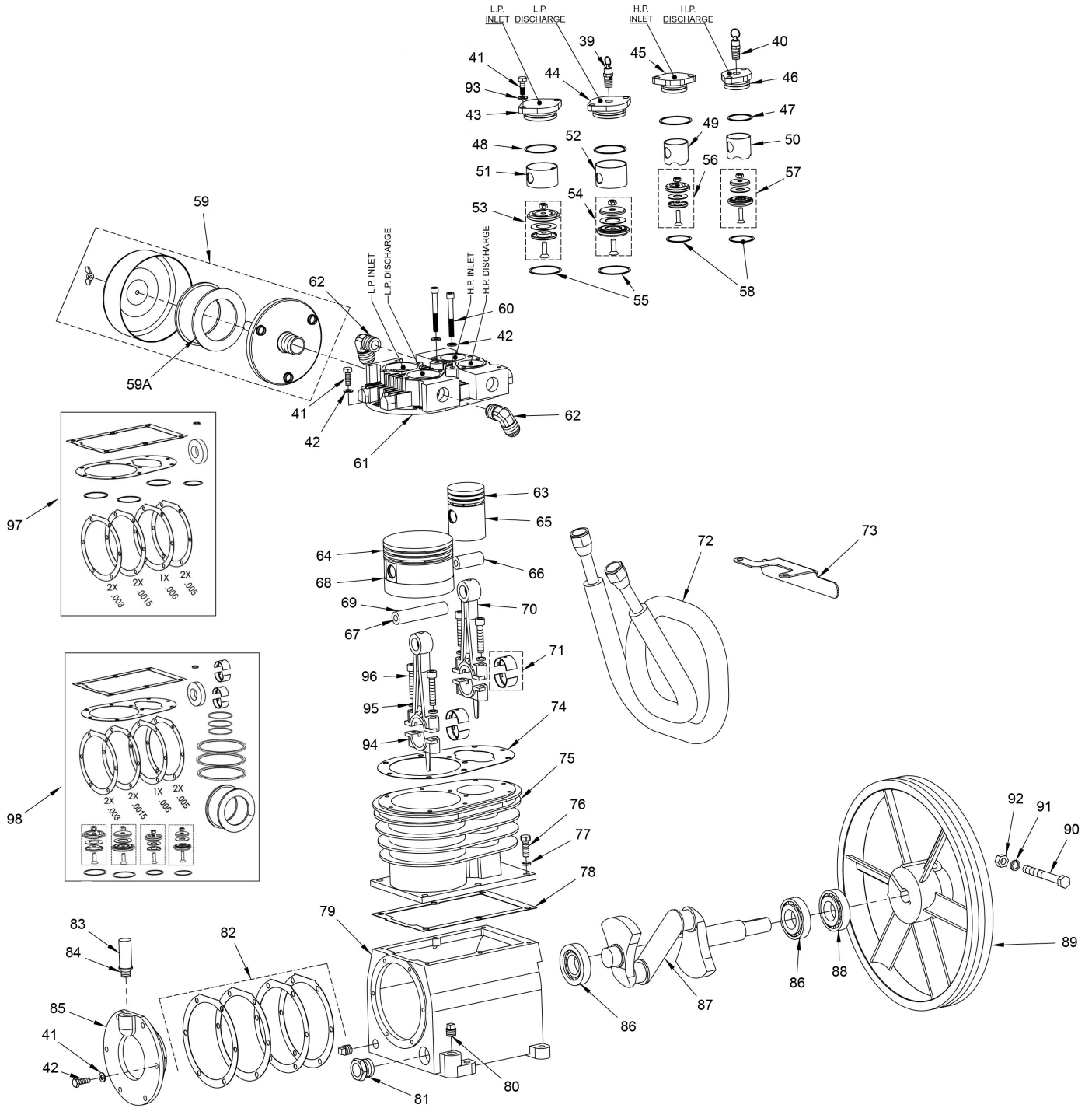
Parts drawing for DXCMV5248069



Parts list for DXCMV5248069

Item Number	Part Number	Description	Qty. Required
1	145-0491	Transfer tube	1
2	059-0012	Bolt, 5/16 x 1/2"	1
3	068-0003	Connector, Male 3/4"	2
4	064-0003	Elbow	1
5	031-0020	Check valve	1
6	058-0017	Compression Nut, 1/4"	2
7	145-0495	Bleeder tube	1
8	040-0427 (see pages 3-5)	Pump assembly (includes items 39-96, excluding items 89-92)	1
9	059-0380	Bolt, 3/8-16 x 1.5"	4
10	064-0002	Elbow	1
11	145-0536	Transfer tube	1
12	058-0009	Nut, 3/8"	8
13	098-2856	Warning label	1
14	See page 6	Manifold assembly	1
15	061-0213	Screw, 1/4-20 x 5/8"	3
16	021-0236	Tank assembly (includes items 16A-16E)	1
16A	512-0041	Bushing, 2" NPT x 1/4" NPT	1
16B	513-0001	O-Ring 2"	2
16C	072-0006	Petcock	1
16D	512-0043	Bushing, 2" NPT x 3/4" NPT	1
16E	062-0060	Pipe plug, 3/4"	1
17	098-3870	Warning label	1
18	060-0156	Washer, flat 5/16"	8
19	059-0362	Bolt, 5/16" x .75"	4
20	026-0736	Interconnect cord	1
21	160-0337	Motor.	1
21A	166-0191	Start capacitor (A.O. Smith)	1
21B	166-0193	Start capacitor cover (A.O. Smith)	1
21C	166-0192	Run capacitor (A.O. Smith)	1
21D	166-0194	Run capacitor cover(A.O. Smith)	1
22	098-3031	Warning label	1
23	114-0626	Bracket	1
24	125-0178	Beltguard (inner)	1
25	060-0146	Washer, #10	1
26	061-0113	Screw, 10-24 x .50"	1
27	061-0238	Setscrew	2
28	006-0157	Pulley	1
29	146-0016	Key	1
30	008-0051	Belt	2
31	059-0164	Screw, 3/8-16 x 3/4	4
32	115-0318	Beltguard	1
33	103-0073	Fastener	4
34	058-0016	Compression nut, 1/2"	1
35	093-0078	Grommet	1
36	058-0125	Nut, 5/16-18	4
37	060-0023	Washer, flat 3/8"	4
38	071-0003	Strain relief	1

Parts drawing for pump 040-0427 (KELLOGG)

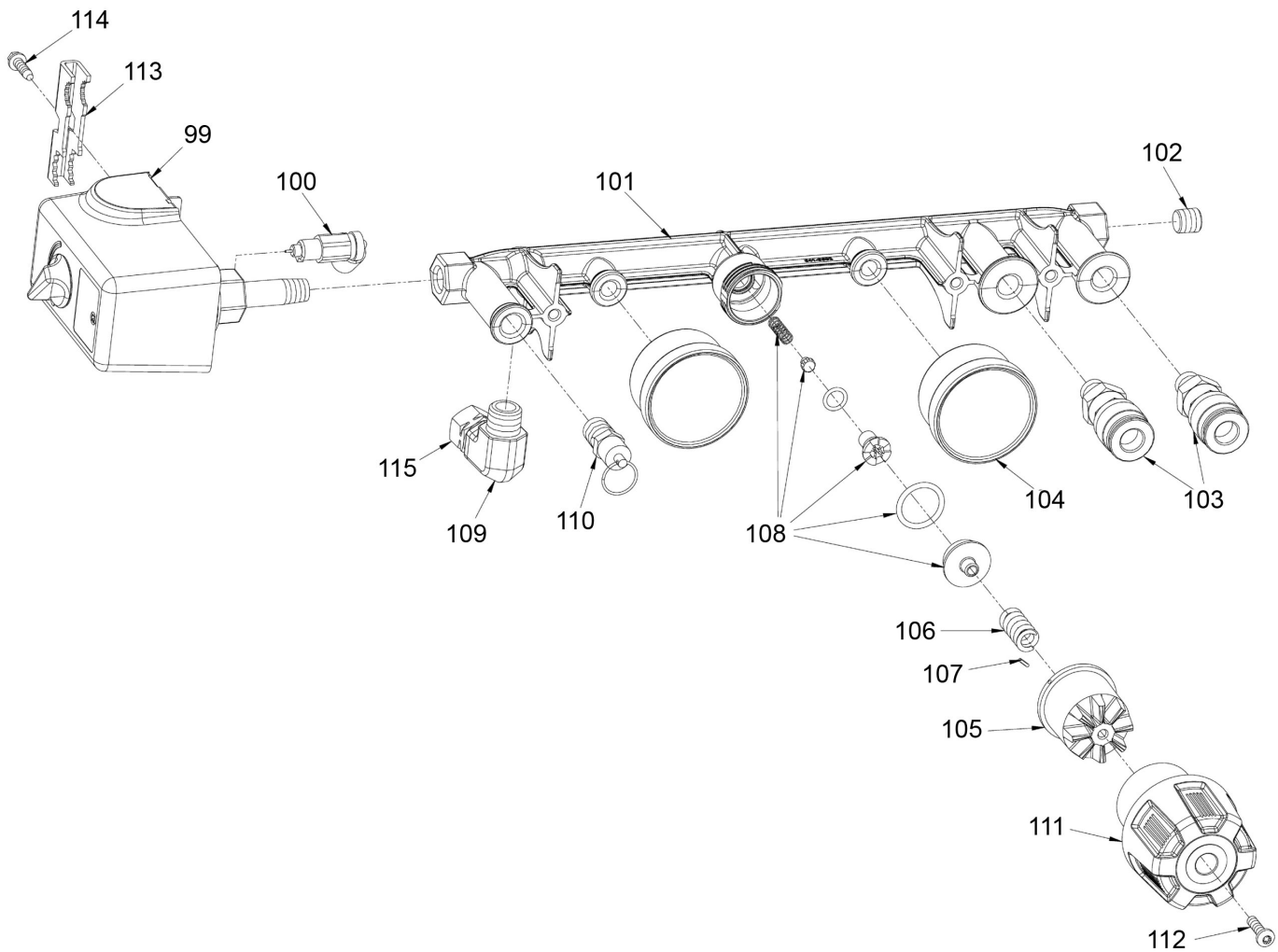


Parts list for pump 040-0427 (KELLOGG)

Item Number	Description	Qty. Required	Qty. Required
39	136-0007	Valve, pressure relief, l.p.	1
40	136-0046	Valve, pressure relief, h.p.	1
41	059-0419	Bolt, M8 x 25	14
42	060-0222	Lock washer, M8	17
43	077-0186	Cover, valve l.p. inlet	1
44	077-0187	Cover, l.p.	1
45	077-0188	Cover, valve h.p. inlet	1
46	077-0189	Cover, h.p.	1
47	054-0252	O-ring, h.p. cover	2
48	054-0253	O-ring, l.p. cover	2
49	019-0241	Spacer, h.p. inlet	1
50	019-0242	Spacer, h.p. discharge	1
51	019-0243	Spacer, l.p. inlet	1
52	019-0244	Spacer, h.p. discharge	1
53	043-0209	Intake valve assy, l.p.	1
54	043-0210	Exhaust valve assy, l.p.	1
55	046-0310	Copper gasket valve l.p.	2
56	043-0211	Intake valve assy, h.p.	1
57	043-0212	Exhaust valve assy, h.p.	1
58	046-0311	Copper gasket valve h.p.	2
59	019-0245	Filter, cannister assy (<i>includes item 59A</i>)	1
59A	019-0246	<i>Element, filter replacement</i>	1
60	059-0431	Screw, M6 x 80	2
61	042-0122	Head	1
62	064-0092	Elbow	2
63	054-0257	Ring set, h.p.	1
64	054-0255	Ring set, l.p.	1
65	048-0122	Piston h.p.	1
66	052-0040	Wrist pin, h.p.	1
67	054-0256	Retaining ring	4
68	048-0123	Piston l.p.	1
69	052-0041	Wrist pin, l.p.	1
70	047-0100	Connecting rod assy (<i>includes items 71 and 94-96</i>)	2
71	051-0105	Insert, bearing	2 pair
72	145-0490	Finned tube	1
73	114-0625	Bracket, tube	1
74	046-0312	Gasket, cylinder head	1
75	050-0066	Cylinder	1
76	059-0406	Bolt, M10 x 30	6
77	060-0235	Washer, #10	6
78	046-0313	Gasket, cylinder	1
79	049-0054	Crankcase	1
80	062-0075	Oil drain plug, 3/8" NPT	2
81	032-0093	Oil sight glass w/o-ring	1
82	046-0314	Gasket set, carrier	1
83	056-0080	Breather (<i>includes item 84</i>)	1

84	046-0315	Breather washer	1
85	045-0055	Carrier	1
86	051-0106	Bearing	2
87	053-0108	Crankshaft	1
88	046-0316	Oil seal	1
89	044-0072	Flywheel	1
90	059-0432	Bolt, M12 x 80	1
91	060-0233	Lock washer, 1/2"	1
92	058-0193	Nut, 1/2"-13	1
93	046-0360	Copper gasket 8MM	2
94	Order #71	Oil dipper	2
95	060-0234	Lock washer, M10	4
96	059-0433	Bolt, M10 x 50	4
97	046-0317	Gaskets, complete set (<i>includes items 78, 74, 55 (2), 58 (2), 82, 84, and 88</i>)	1
98	165-0278	Overhaul kit (<i>includes items 97, 53, 54, 56, 57, 71 (2 pr), 64, 63 and 59A</i>)	1

Parts drawing for manifold assembly 141-0286



Parts list for manifold assembly 141-0286

Item Number	Part Number	Description	Qty. Required
99	034-0205	Switch, pressure (includes items 100 & 112-113)	1
100	136-0090	Valve, bleeder	1
101	141-0283	Manifold assembly (includes items 82-89)	1
102	062-0035	Plug, 1/4"	1
103	036-0031	Quick connect coupler	2
104	032-0092	Gauge, 300# 1/8" back connect	2
105	092-0025	Knob, inner	1
106	055-0078	Spring	1
107	107-0056	Pin	1
108	105-0016	Regulator repair kit	1
109	064-0091	Elbow 3/8" NPT x 1/2"	1
110	136-0007	Pressure relief valve	1
111	092-0037	Knob, outer	1
112	061-0203	Screw, #10-16 x 1/2"	1
113	071-0033	Strain relief	1
114	061-0216	Screw	1
115	058-0016	Compression nut, 1/2"	1
116	065-0033	Nipple, 1/4" x 1-1/2"	1