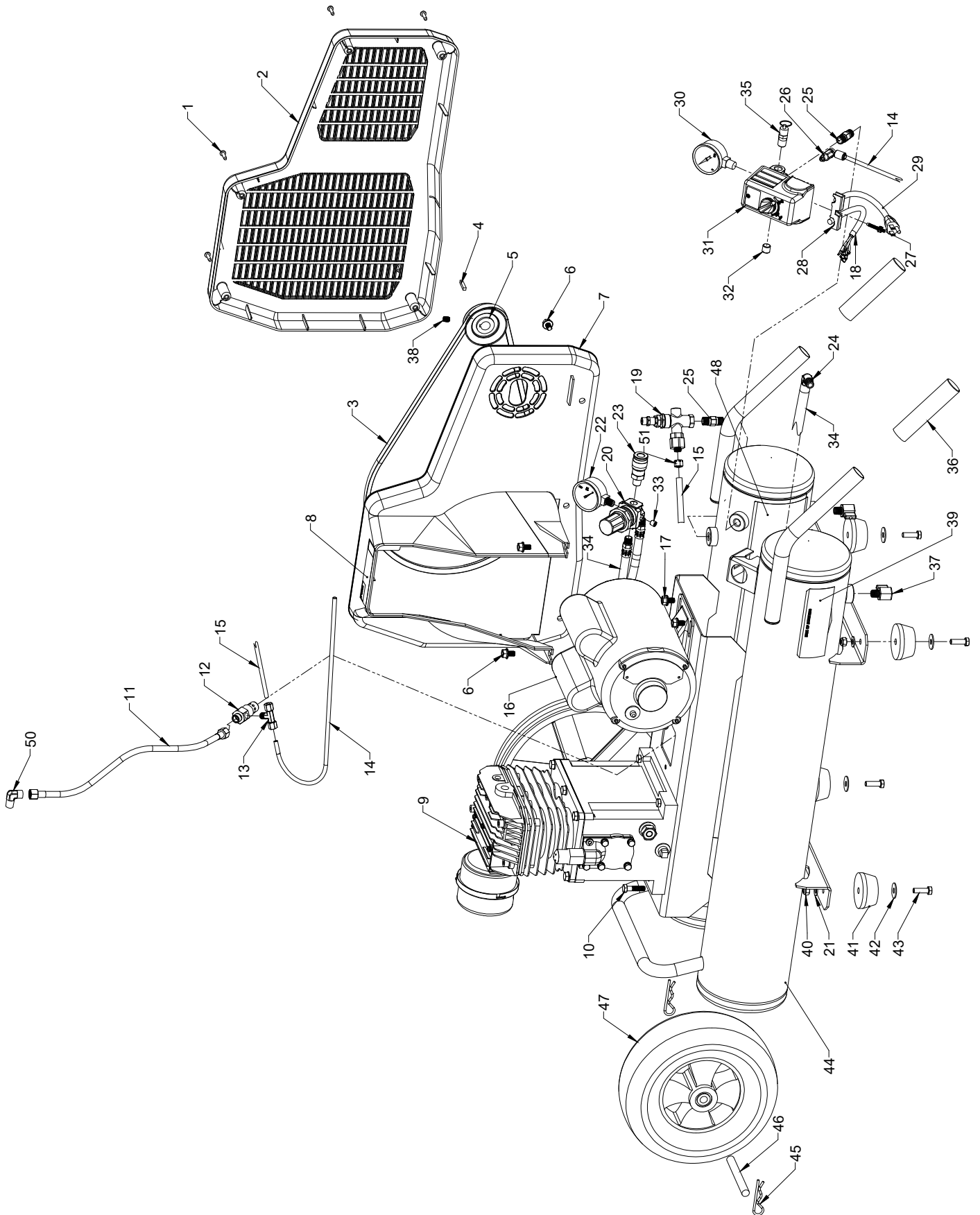


Parts drawing for DXCMTA1980854



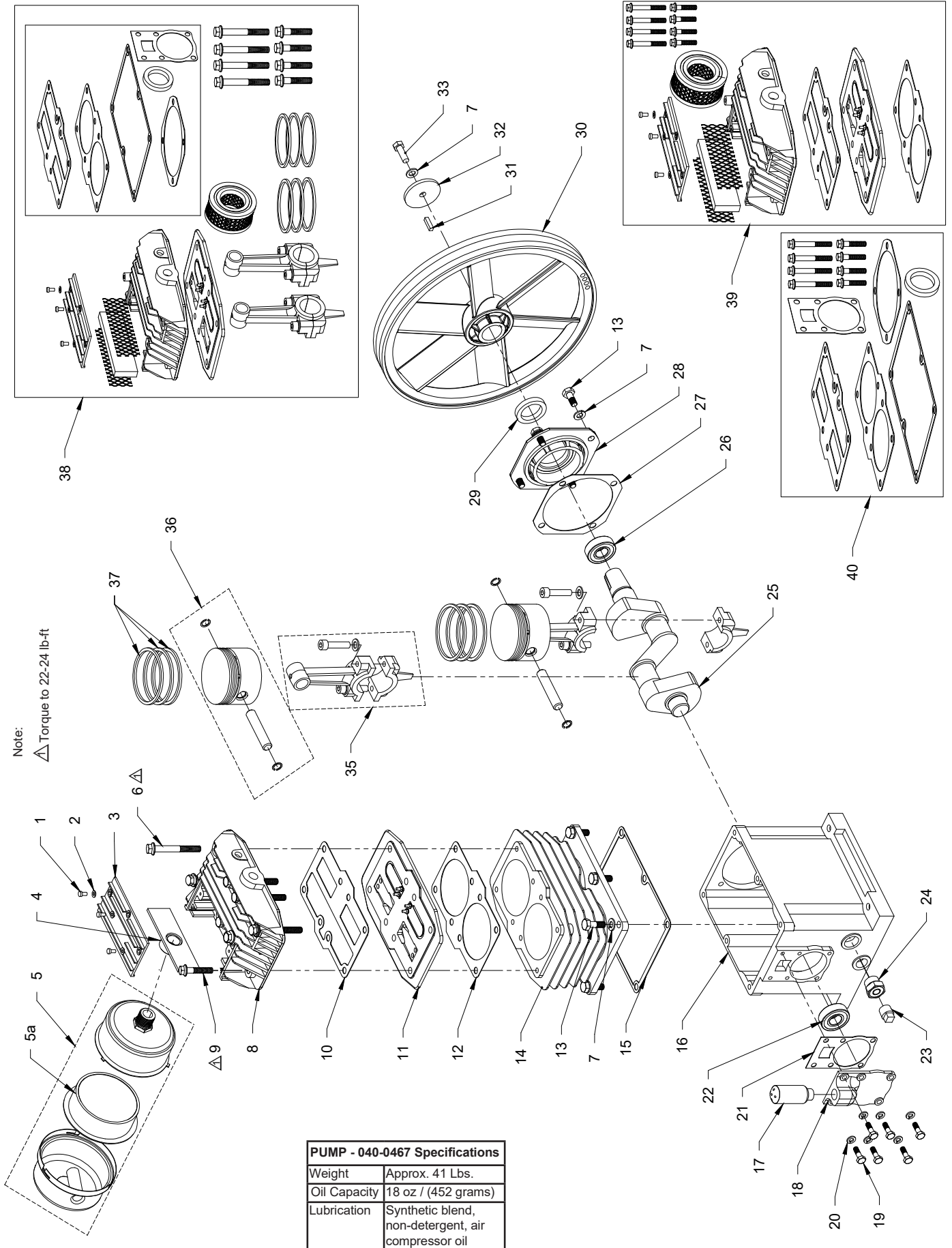
**Parts list for DXCMTA1980854**

Item Number	Part No.	Description	Qty. Required
1	061-0114	Screw, #10-14	5
2	125-0151	Belt guard, outer	1
3	007-0013	V-Belt, 4L-510	1
4	146-0016	Key	1
5	006-0087	Pulley	1
6	059-0255	Bolt, 5/16-18 x 1/2"	5
7	125-0152	belt guard, inner	1
8	098-2856	Label, warning	1
9	040-0467	Pump assembly	1
10	059-0010	Bolt, 5/16 x 1 1/4"	4
11	145-0702	Tube, transfer	1
12	031-0060	Check Valve, 1/2" x 1/2"	1
13	069-0034	Tee, 1/4" tube x 1/8" NPT	1
14	145-0406	Tube, bleeder 1/4" x 20"	1
15	145-0654	Tube, unloader	1
16	160-0264	Motor (see capacitor table below)	1
17	059-0012	Bolt, 5/16 x 1/2"	4
18	026-0233	Cord, interconnect	1
19	070-0062	Pilot valve	1
20	019-0282	Regulator	1
21	060-0156	Washer, 5/16	4
22	032-0119	Gauge	1
23	036-0031	Quick connect	1
24	064-0115	Elbow, 90°	1
25	065-0085	Nipple, 1/4"-18 x 1.37"	2
26	136-0090	Bleeder valve	1
27	061-0216	Screw	1
28	071-0033	Strain Relief	1
29	026-0030	Cord, power	1
30	032-0025	Gauge	1
31	034-0184	Switch (includes items 27-28)	1
32	062-0035	Plug, 1/4"	1
33	062-0001	Plug, 1/8-5/16	1
34	145-0627	Tube, manifold	1
35	136-0077	Pressure relief valve	1
36	093-0030	Handle grip	2
37	072-0019	Petcock	2
38	061-0238	Set screw	2
39	098-4271	Label, warning	2
40	058-0129	Nut, 5-16-18 nylon stop	4
41	094-0186	Pad	4
42	060-0202	Washer, fender 5/16" x 1"	4
43	059-0009	Bolt, 5/16" x 1"	4
44	150-0167	Tank assembly	1
45	107-0078	Cotter pin, 5/32" x 2"	2
46	110-0071	Axle	1
47	095-0092	Wheel	1
48	098-1105	Label, warning	1
49	098-1104	Label, warning (not shown)	1
50	064-0059	Elbow, 1/4" x 1/2"	1
51	058-0017	Compression nut, 1/4	1

**CAPACITORS**

	Start capacitor	Start capacitor cover	Run capacitor	Run capacitor cover
<b>Better motor capacitors</b>	166-0180 Better p/n - 0901080 or 166-0195 Better p/n - 61B4D250400NNCA	166-0182 Better p/n - 0104045	166-0181 Better p/n - 0901040 or 166-0196 Better p/n - CBB60	166-0182 Better p/n - 0104045

# Parts drawing for pump 040-0467



PUMP - 040-0467 Specifications	
Weight	Approx. 41 Lbs.
Oil Capacity	18 oz / (452 grams)
Lubrication	Synthetic blend, non-detergent, air compressor oil

## Parts list for pump 040-0467

Item Number	Description	Qty. Required	Qty. Required
1	059-0424	Screw, M4 x 8	3
2	060-0227	Lock washer, M4	3
3	042-0112	Inlet cover	1
4	114-0840	Filter plate	2
5	019-0314	Filter assy (included item 5a)	1
5a	019-0329	Filter element	1
6	059-0412	Screw, M8x65	4
7	060-0222	Lock washer, M8	9
8	042-0109	Head assembly	1
9	059-0465	Screw, M8x40	4
10	046-0283	Gasket, head	1
11	043-0180	Valve plate assy (includes items 6, 9-10 & 12)	1
12	046-0282	Gasket, cylinder	1
13	059-0415	Screw, M8x20	12
14	050-0061	Cylinder	1
15	046-0281	Gasket, crankcase	1
16	049-0048	Crankcase (includes item 22)	1
17	056-0096	Breather	1
18	077-0185	Cap	1
19	059-0418	Screw, M6 x 20	6
20	060-0220	Lock washer, M6	6
21	046-0280	Gasket	1
22	051-0099	Bearing 205	1
23	062-0075	Oil drain plug, 3/8" NPT	1
24	032-0072	Oil sight glass w/o-ring	1
25	053-0101	Crankshaft	1
26	051-0100	Bearing 206	1
27	046-0284	Gasket	1
28	077-0172	Carrier	1
29	046-0285	Oil seal	1
30	044-0064	Flywheel, 12" A groove	1
31	146-0026	Key, 5MM x 5 MM	1
32	060-0228	Flywheel washer	1
33	059-0419	Screw, M8 x 25	1
35	047-0087	Rod	2
36	048-0116	Piston assembly	2
37	054-0235	Ring Set	2
38	165-0327	Overhaul kit, includes items 1-4, 5a, 6, 8, 9, 11, 35, 37 and 40	1
39	042-0141	Head and valve plate assy includes items 1-4, 5a, 6, 8, 9, 10, 11 and 12	1
40	046-0279	Gaskets, complete set includes items 6, 9-10, 12, 15, 21, 27 and 29	1
	040-0467	Pump assembly includes items 1-37 excluding 30-33.	1