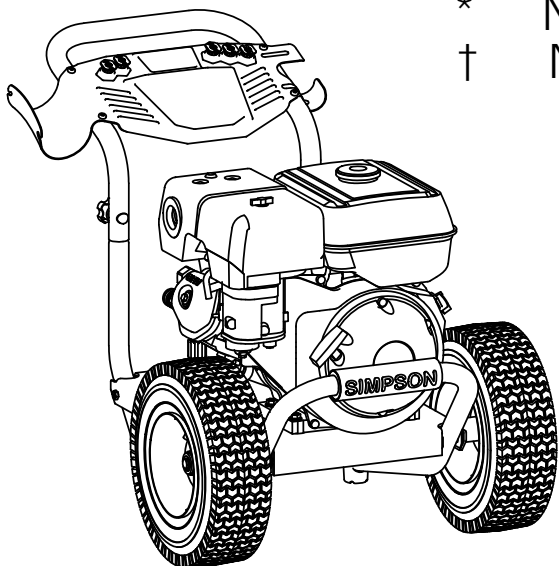


ITEM	PART NO.	DESCRIPTION	QTY.
1	7107275	FRAME, AL SVC ASSY W/LABELS	1
1.1	7107062	BASE TUBE, AL CORNER MOUNT FRAME 13.25" C-C	1
1.2	7107063	PLATE, HORIZONTAL BASE FRAME, AL, 13/25" C-C	1
1.3	7107065	SUB-FRAME, ALUMINUM HORIZONTAL 13.25" C-C	1
1.4	7103273	AXLE, Ø .625 X 21.91 (13.25" C-C FRAME)	1
1.5	7105914	BRACKET, AXLE HORIZONTAL	2
† 1.6		BOLT, 5/16"-18 x 2 1/4"	4
† 1.7		WASHER, SADDLE 5/16 X 1.0 X 0.060	2
† 1.8		NUT, 5/16"-18 NYLOCK	4
† 1.9		BOLT, 3/8"-16 x 3/4"	1
† 1.10		NUT, 3/8"-16 WHIZ	1
2	7108439	HANDLE, REAR AL SVC ASSY W/LABELS	1
2.1	7104800	HANDLE TUBE, AL CORNER MOUNT FRAME 13.25" C-C	1
† 2.2		SCREW, TORX PANHEAD 1/4"-20 x 3/4"	4
2.3	7108144	DASHBOARD-NOZZLE HOLDER ASSEMBLY	1
2.4	7107067	HOLDER, NOZZLE 2PC RUBBER STRIP	1
2.5	7107068	HOLDER, NOZZLE 3PC RUBBER STRIP	1
3	100360	ENGINE, GX270 HONDA	1
4	7104174	KEY, SHAFT 3/16" x 3/16" x 1 1/4"	1
5	7108438	PUMP SVC ASSY ALH3835	1
† 5.1	7107483	PUMP, CAT 3000PSI @ 3.2 GPM	1
5.2	7100355	FITTING, INLET GHT(F) X 3/8" NPT(M)	1
5.3	7100019	COUPLER, 3/8" OC-F x 3/8" NPTF	1
5.4	7101359	VALVE, THERMAL RELIEF 1/4" NPT(M)	1
5.5	7102470	PLUG, 3/8" NPTM	1
† 5.6		BOLT, 3/8"-16 x 1 1/4"	4
† 5.7		WASHER, 3/8" SPLIT-LOCK	4
6	7105376	KIT, 13" WHEEL SERVICE	2
† 6.1		WHEEL, 13" BLACK	1
† 6.2		WASHER, 5/8" FLAT	1
† 6.3		CLIP, E-TYPE 0.625" x 0.042"	1
7	7107262	FOOT KIT, SERVICE KIT	2
† 7.1		FOOT, RECESSED RUBBER INSERT	1
† 7.2		SCREW, PANHEAD M6-1.0 X 25MM PHILLIPS MACHINE	1
8	7103277	HARDWARE KIT, ENGINE MOUNTING	1
† 8.1		BOLT, 3/8"-16 x 2" SERRATED FLANGE	4
† 8.2		NUT, 3/8"-16 WHIZ	4
9	7103279	KNOB-BOLT ASSEMBLY (7103538, 7103563)	2
† 9.1		BOLT, SADDLE 5/16"-18 x 2"	1
† 9.2		KNOB, HANDLE 5/16-18	1
10	7105186	HANDLE GRIP, SIMPSON BLACK W/ WHITE LETTERING	1
11	7100634	NOZZLE SET, 5PC 3.5	1
12	7108125	GUN, 4500PSI 3/8OC(M) INLET X M22(F) OEM	1
13	7103261	LANCE, 31IN - 1/4 OC(F) X M22(M)	1
14	7103642	HOSE, 3/8" x 50' x 4500PSI WIRE BRAID	1
15	7102207	SOAP HOSE AND FILTER KIT	1
* 16	7102045	TOOL, NOZZLE CLEANING, UNIVERSAL	1
* 17	7108440	BOX KIT, LG CW HORIZONTAL PLAIN KRAFT	1
* 18	7107727	MANUAL, OPERATORS (ALHC 3835)	1

* NOT SHOWN

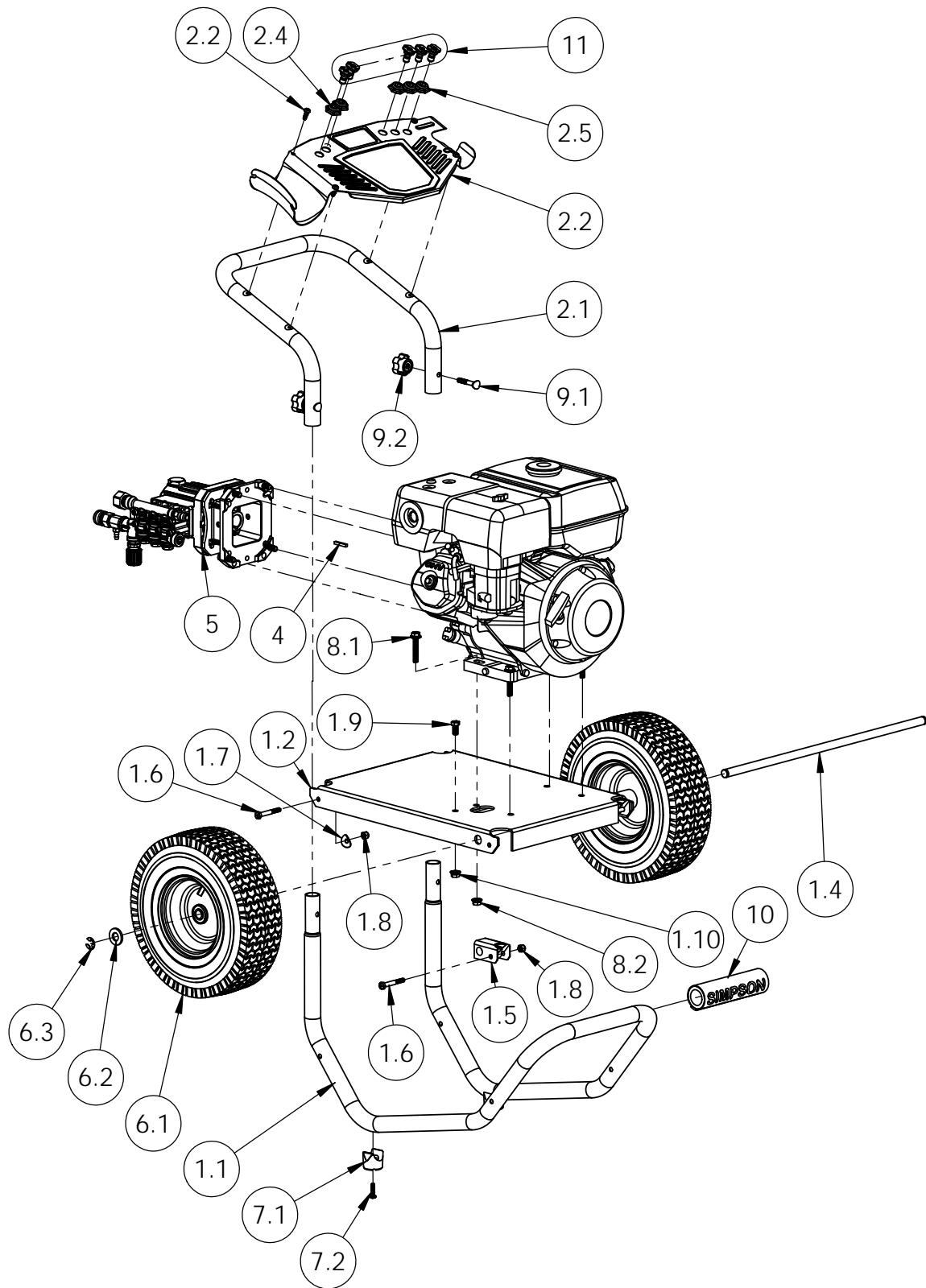
† NOT SOLD SEPERATELY



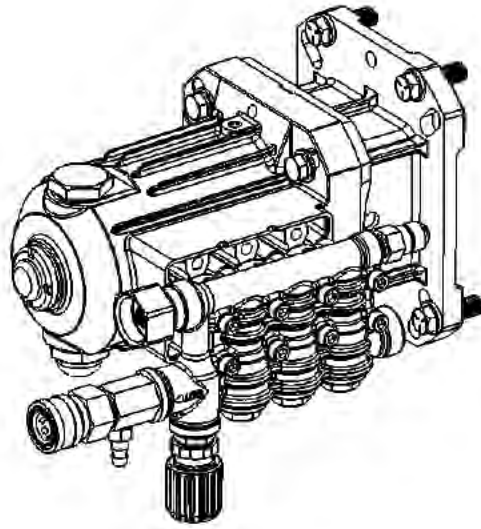
PUMP INFORMATION TABLE			
MACHINE SERIAL NO.	PUMP MODEL	PUMP PART NO.	PUMP KIT NO.
	4SPX32G1I	7107483	7108438

ONLY THE LATEST VERSION OF THE PUMP IS AVAILABLE FOR REPLACEMENT

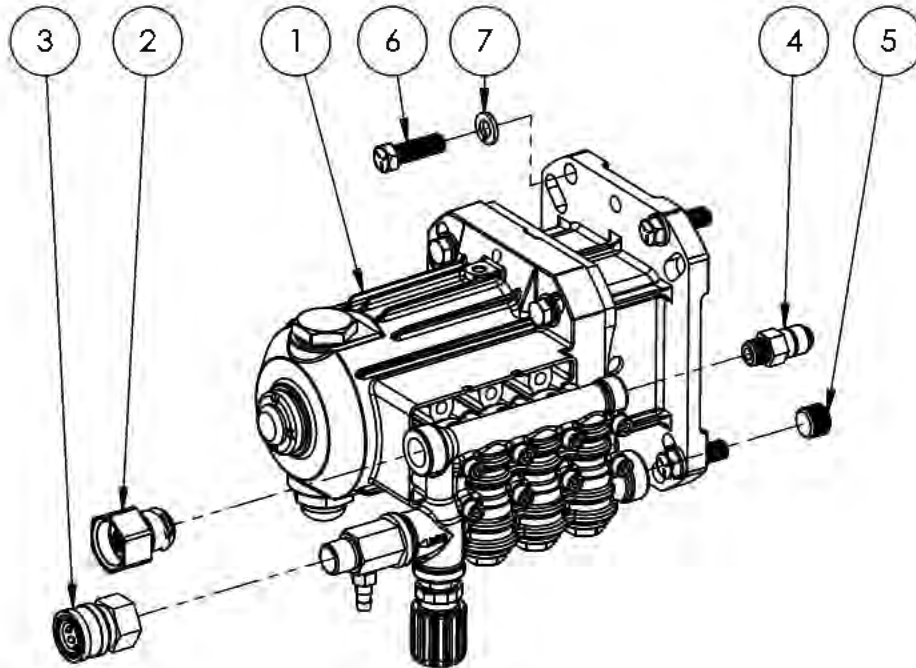
NAME		DATE	FNA-GROUP	
DRAWN	KDB	7/15/2015	1265 INDUSTRIAL STREET DECATUR AR 72722	
CHECKED			TITLE:	
ENG APPR			ALH3835-S SIMPSON 3800PSI @ 3.5GPM	
MFG APPR				
Q A APPR				
SERVICE APPR				
PROPRIETARY AND CONFIDENTIAL			SIZE	DWG NO
THE INFORMATION CONTAINED IN THIS DRAWING IS THE SOLE PROPERTY OF FNA-GROUP. ANY REPRODUCTION IN PART OR AS A WHOLE WITHOUT THE WRITTEN PERMISSION OF FNA-GROUP IS PROHIBITED.			A	60736
			SCALE:	REV
			N/A	A
			ECN# DC15-0085	SHEET 1 OF 6



SIZE	DWG NO	REV
A	60736	A
SCALE: N/A	ECN# DC15-0085	SHEET 2 OF 6



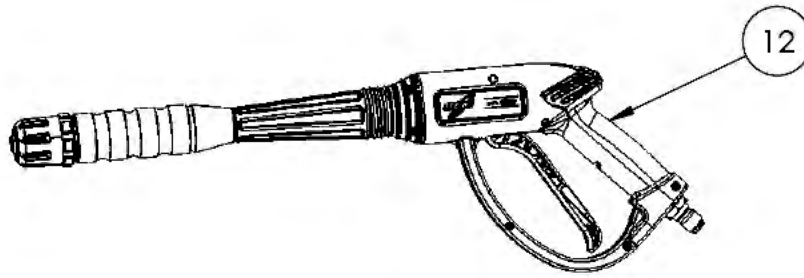
PUMP SVC ASSY ALH3835
PART NUMBER: 7108438



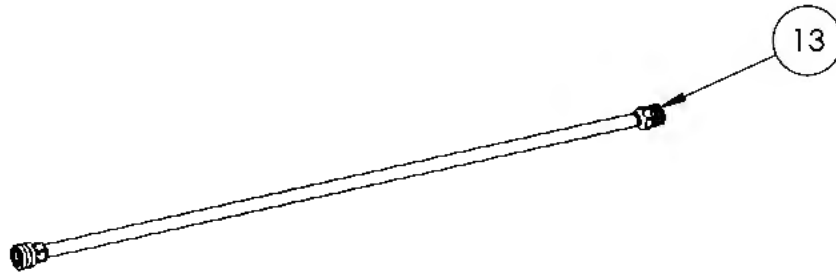
ITEM NO.	PART NO.	DESCRIPTION	QTY.
1	7107483	PUMP, CAT 3000PSI @ 3.2 GPM	1
2	7100355	FITTING, INLET GHT(F) X 3/8" NPT(M)	1
3	7100019	COUPLER, 3/8" QC-F x 3/8" NPTF	1
4	7101359	VALVE, THERMAL RELIEF 1/4" NPT(M)	1
5	7102470	PLUG, 3/8" NPTM	1
† 6		BOLT, 3/8"-16 x 1 1/4"	4
† 7		WASHER, 3/8" SPLIT-LOCK	4

† NOT SOLD SEPERATELY

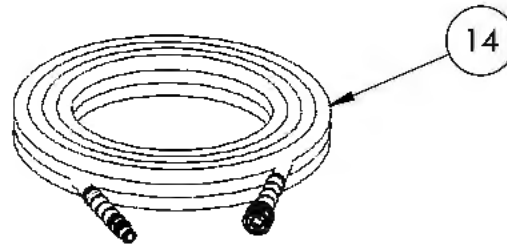
SIZE A	DWG. NO. 60736	REV A
SCALE N/A	ECN# DC15-0085	SHEET 3 OF 6



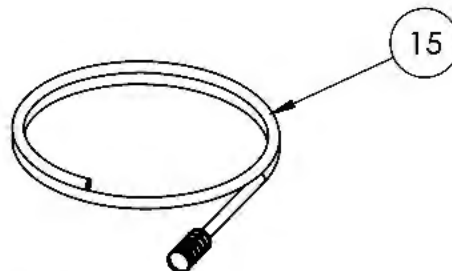
GUN, 4500PSI 3/8QC(M) INLET X M22(F) OEM
PART NO. 7108125



LANCE, 31IN - 1/4 QC(F) X M22(M)
PART NO. 7103261



HOSE, 3/8" x 50' x 4500PSI WIRE BRAID
PART NO. 7103642



SOAP HOSE AND FILTER KIT
PART NO. 7102207

SIZE	DWG. NO.	REV
A	60736	A
SCALE: N/A	ECN# DC15-0085	SHEET 4 OF 6