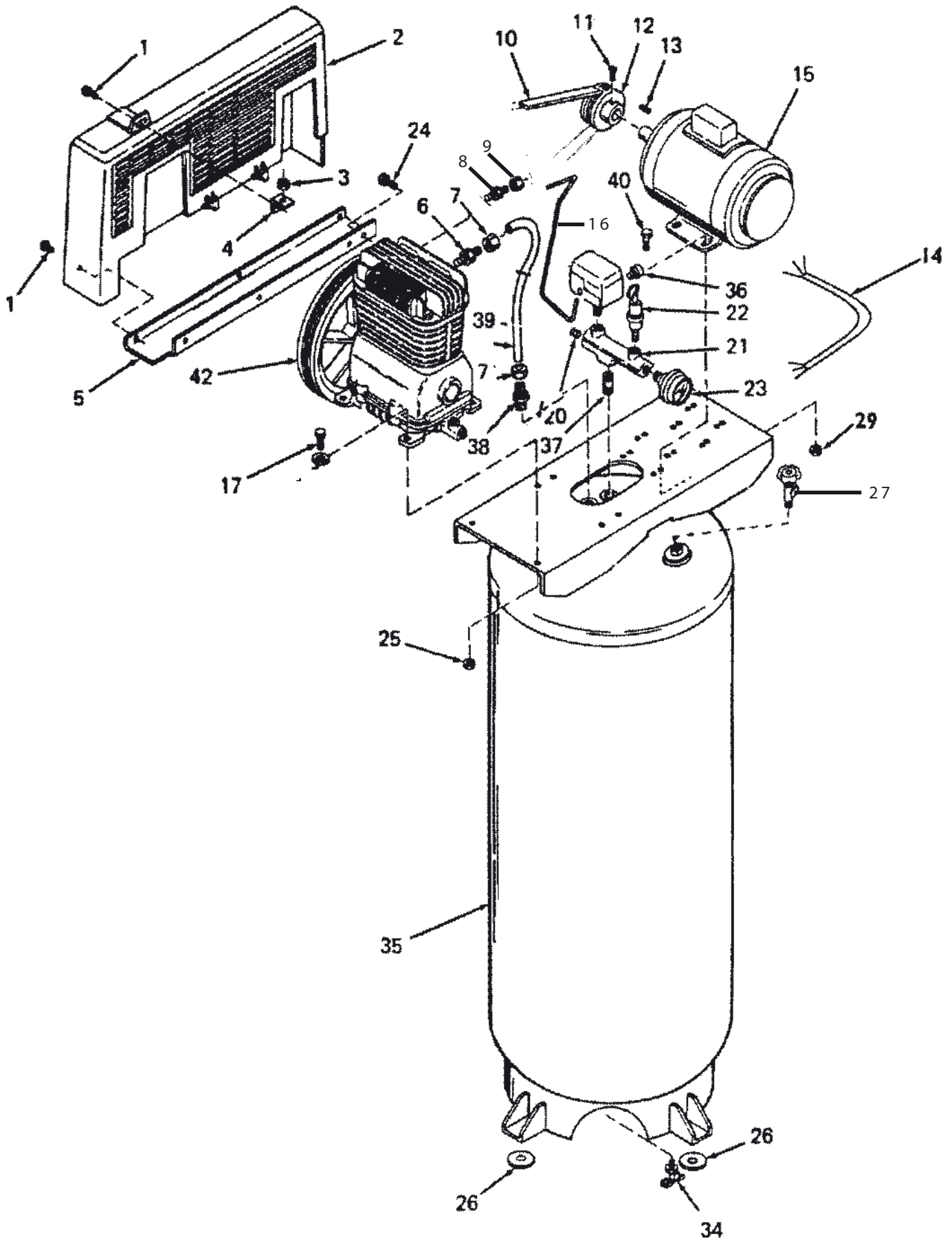


5E60VAD C5E60VAD



5E60VAD C5E60VAD

KEY

<u>NO.</u>	<u>PART NUMBER</u>	<u>DESCRIPTION</u>
1	SSF-953- ZN	Self Tapping Sc rew (4 used)
2	CAC-2 2-2	Belt guard
3	SSF- 8113-ZN	Lock nut
4	CAC- 2-1	Brac ket
5	CAC-36 2-1	Belt guard closure
6	SSP-9 401	Connec tor
7	SSP-7 812	Nut-sleeve assembly (2 used)
8	SS-8553	Connec tor
9	SSP-7 811	Nut-slee ve assem bly
10	C-BT-224	Poly-V belt
11	SS- 391	Set sc rew
12	C-PU-2 868	Motor pulley
13	SUDL-6 5	Key 3/16" x 3/16" x 1 1/4"
14	CAC-4 205	Cord Assembly
15	MO-3022-1	Motor
16	DAC- 52	Pressure release tube
17	SSF -928	Cap screw 5/16"-18-1" (4 used)
19	Z-CAC-422 1-3	Pressure switch
20	SS-3222 -CD	Pipe plug
21	CAC -95	Manifold
22	TIA-4 150	Safe ty valve
23	GA- 370	Ga uge
24	SSF-985- ZN	Screw (3 used)
25	SSF-8 150	Nut 5/16"-18 (8 used)
26	CAC-1 003	Isolator Washer (4 used)
27	SSV-6	Globe valve
29	SSF-8 150	Hex Nut
34	SS-2707	Drain valve
35	*	Tank
36	SSW -7367	Strain Relief
37	SS-2110	Nipple
38	CAC-43 7-2	Check valve
39	CAC-35 7-1	Outlet tube
40	SSF-3 152	Cap screw 5/16"-18 x 3/4" (4 used)
42	CAC-4029	Compressor pump assembly (Includes key no. 43 and 47 thru 78, inclusive) (Replacement pump is Z-D22629)

*Non-serviceable part