

# PARTS MANUAL FOR GASOLINE ENGINE AIR COMPRESSOR

MODEL NO.  
5G20AD  
MASTER

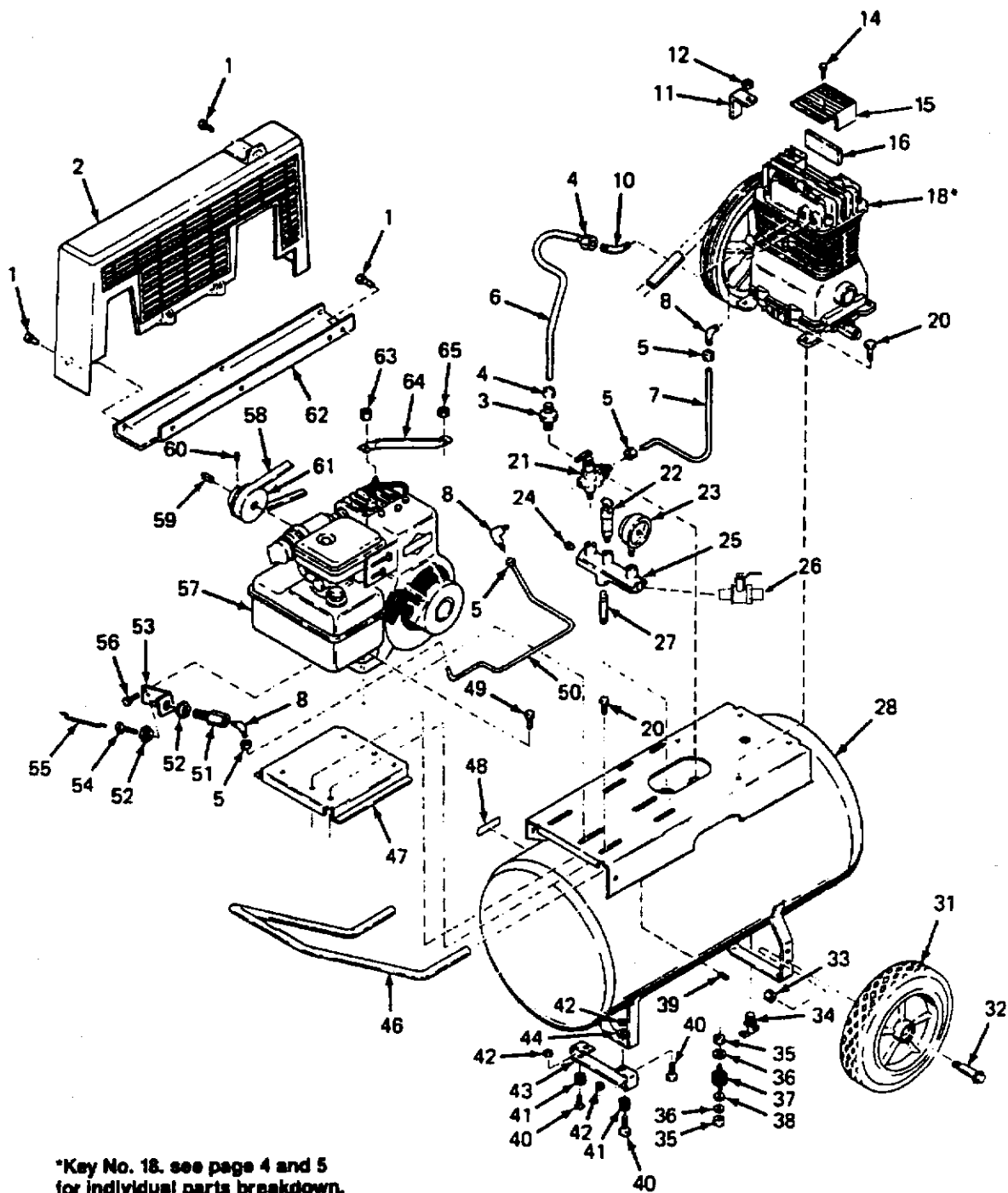
## SPECIFICATION CHART

---

Model No.	5G20AD
Engine Horsepower	5
Compressor Displacement CFM	15.3
Compressor Bore	2 7/8"
Compressor Stroke	2"
Air Tank Capacity - GAL	20 ASME
Approximate Unloader Reset Pressure	90
Approximate Unloader Blow-off Pressure	110
SCFM @ 40 psig	12.0
SCFM @ 90 psig	10.0

DeVilbiss Air Power Company, 213 Industrial Dr., Jackson, TN 38301-9615

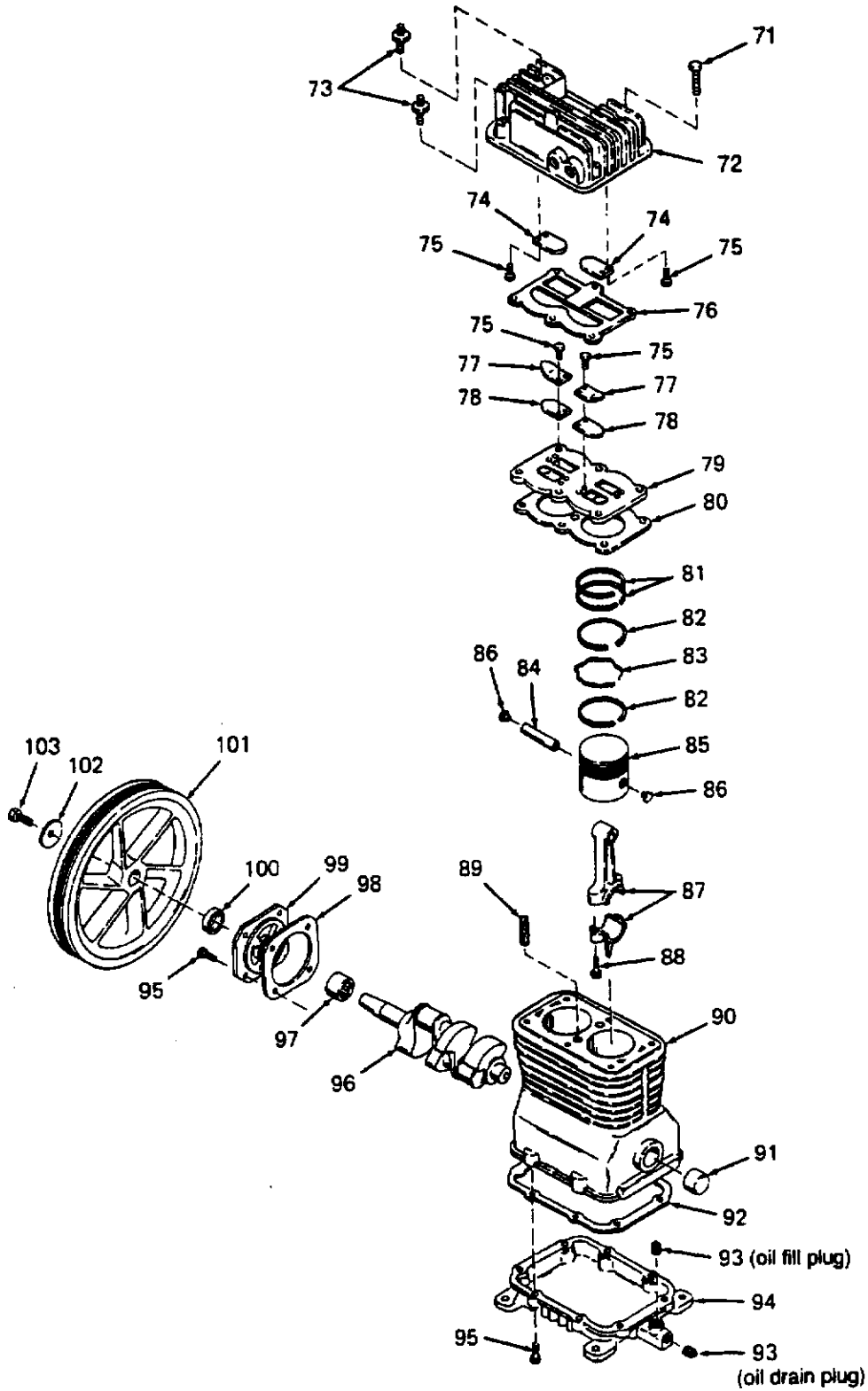
# Air Compressor Diagram



# Parts List

KEY NO.	PART NUMBER	DESCRIPTION
1	SSF-953-ZN	Self tapping scrw (7 used)
2	CAC-87-1	Belt guard
3	CAC-437-2	Check valve
4	SSP-7812	Nut-Sleeve Assembly 1/2" (2 used)
5	SSP-7811	Nut-Sleeve Assembly 1/4" (4 used)
6	CAC-85	Outlet tube
7	CAC-86	Pressure release tube
✓ 8	SSP-6422	Elbow (3 used)
10	SSP-6423	Elbow
11	CAC-2	Bracket
12	SSF-8113-ZN	Lock nut
14	SSF-935	Screw, #8-32 x 3/8" (2 used)
15	CAC-356	Filter retainer
✓ 16	265-17	Intake filter
18	CAC-4002-1	Compressor pump assembly
20	SSF-928	Screw, 5/16-18 x 7/8" (6 used)
21	CAC-423	Unloader valve
22	TIA-4150	Safety valve ASME
23	GA-348	Pressure gauge
24	SS-3222-CD	Pipe plug
25	CAC-226	Manifold
26	SSV-4	Globe valve
27	SS-2109	Nipple
28	TA-4220	Air tank, 20 gallon ASME
31	CAC-4293	Wheel, 8" (2 used)
32	CAC-60	Shoulder bolt (2 used)
33	SSF-8080-ZN	Hex nut (2 used)
34	SS-2707	Drain cock
35	SS-656-CD	Nut (8 used)
36	SS-1503-CD	Lockwasher (8 used)
37	CAC-165	Vibration mount (4 used)
38	SS-6506-CD	Washer (4 used)
39	SS-391	Set screw
40	SS-2-ZN	Cap screw (4 used)
41	SST-5301	Rubber Bumper (2 used)
42	SS-655-ZN	Hex nut, 1/4-20 (4 used)
43	DAC-159	Foot bracket
44	21181-506	Lockwasher (2 used)
46	SUDL-43	Handle
47	CAC-42	Stiffener plate
49	SSF-3077	Screw (4 used)
50	CAC-98-1	Throttle control tube
✓ 51	CAC-4275	Air cylinder (includes two #52 and one #54 & #55)
✓ 52	N/A	Jam nut, 9/16"-18 (2 used) -- available in key #51
✓ 53	CAC-1036	Throttle bracket

# Compressor Pump Diagram



# Parts List

KEY NO.	PART NUMBER	DESCRIPTION
✓✓✓ 54	CAC-1037	Throttle screw
✓✓✓ 55	CAC-1038	Throttle link
✓✓✓ 56	SSF-986	Self-tapping screw #10-16 x 3/8
57	CAC-425-1	Engine 5 HP
58	C-BT-215	Poly-V Belt
59	SS-10448	Engine shaft key
60	SS-391	Set screw
61	C-PU-2862	Engine pulley
62	CAC-142	Belt guard closure
63	SSF-8110-ZN	Lock nut
64	CAC-103	Stiffener bar
65	SSF-8111-ZN	Lock nut
71	SSF-955	Screw, 3/8"-16 x 1 1/2" (4 used)
72	CAC-4213	Cylinder head assembly
73	SSF-6627	Stud 3/8"-16 both ends (2 used)
● 74	KK-4275	Intake taper valve - square corners (2 used on head) <span style="float: right; border: 1px solid black; padding: 2px;">0 0</span>
● 75	KK-4275	Screw #5-40 x 1/4" (8 used)
✓ 76	CAC-291	Head gasket
77	CAC-294	Restrictor plate (2 used)
● 78	KK-4275	Exhaust flapper valve - beveled corners (2 used on valve plate) <span style="float: right; border: 1px solid black; padding: 2px;">0 0</span>
79	CAC-4212	Valve plate assembly
✓ 80	CAC-54-1	Valve plate gasket
+ 81	KK-4313	Compression ring (4 used)
+ 82	KK-4313	Oil ring (4 used)
+ 83	KK-4313	Oil ring expander (2 used)
84	265-19	Piston pin (2 used)
85	CAC-55-1	Piston (2 used)
86	CAC-207	Piston pin plug (4 used)
87	265-410	Connecting rod assembly (2 used) (includes two SSF-927 screws)
88	SSF-927	Screw, 1/4-20 x 1 1/8" (4 used)
✓ 89	265-6	Vent filter
90	CAC-51	Crankcase and cylinder
91	265-41	Needle bearing
✓ 92	265-16	Base gasket
93	SSP-1413	Oil fill/drain plug (2 used)
94	265-3	Base
95	SSF-925	Cap screw, 1/4-20 x 7/8" (12 used)
96	CAC-373	Crankshaft
97	265-23	Needle bearing
✓ 98	265-13	End plate gasket
99	265-9	End plate
✓ 100	265-111	Oil seal
101	265-2	Flywheel
102	SSN-1014-ZN	Belleville washer
103	SSF-3039-ZN	Cap screw, 5/16-18 x 3/4"
		<b>NOT ILLUSTRATED</b>
	SSH-8	Air chuck
	H-5796	Air hose assembly (1/4" I.D. x 15')
	CAC-4011-1	"Briggs & Stratton" Operating and Maintenance Instructions

- ✓ Key Nos. 16, 76, 80, 89, 92, 98 and 100, available as individual parts and part of Gasket Kit KK-4312-2.
- + Key Nos. 81, 82 and 83, only available in Ring Kit KK-4313.
- Key Nos. 74, 75 and 78, only available in Valve Kit KK-4275.
- ✓✓ Key Nos. 8, 51, 52, 53, 54, 55 and 56, available individually or in the throttle control assy. KK-4486.