

INSTALLATION INSTRUCTIONS FOR TIME DELAY RELAY ON DL II DYNALINE II Kit # 521045

NOTE: This kit is for the replacement of the 230625 time delay relay used on DLII Dynalines only! Kit must not be used on 12 VDC RV applications. Read these instructions completely before attempting installation.

WARNING! Improper installation, adjustment, alteration, service or maintenance can cause property damage, personal injury or loss of life. Refer to the installation instructions and/or owners manual provided with your appliance. The removal and re-installation of the appliance as well as the installation of component parts must be made by a qualified installer, service agency or the gas supplier.

WARNING! Installation of this appliance must be made in accordance with the written instructions provided in the manual. No agent, representative or employee of Suburban or other person has the authority to change, modify, or waive any provision of the instructions contained in the manual or this instruction sheet.

1. Disconnect power to the unit by unplugging power cord or turning off circuit breaker for unit.
2. Remove front cover from unit.
3. Remove and save the four screws holding the control panel to the unit, then pull the control panel towards you to allow access to the time delay relay.
4. Remove the time delay relay from the unit and disconnect the wires from it.
5. See Figure 1 for how the replacement relay must be oriented. The relay must fit between the mode switch and the thermostat.
6. Mark and drill two $\frac{1}{8}$ " holes for the mounting screws per the dimensions shown in Figure 2.
7. Connect the wires to the new time delay relay as shown in figure 1.
8. Install the new time delay relay and secure with two #8 x $\frac{1}{2}$ " screws.
9. Reinstall the unit control panel and front cover.
10. Restore power to the unit and check for proper operation. The time delay relay only works when the unit is in the heating mode.

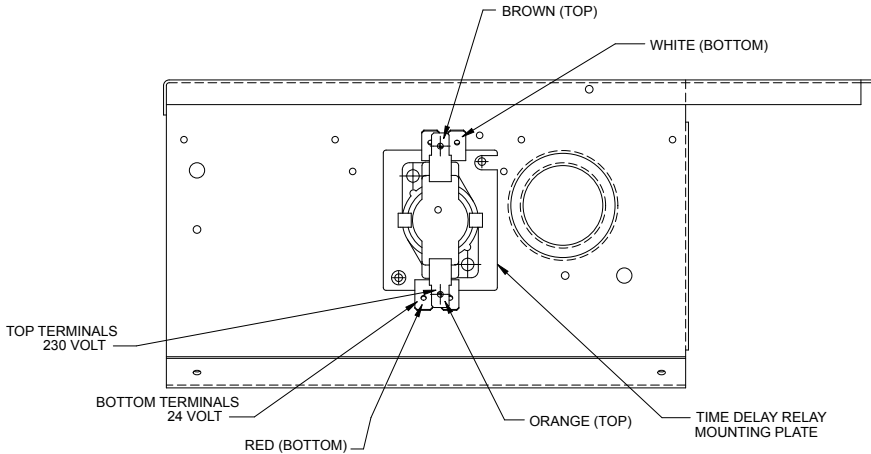


Figure 1

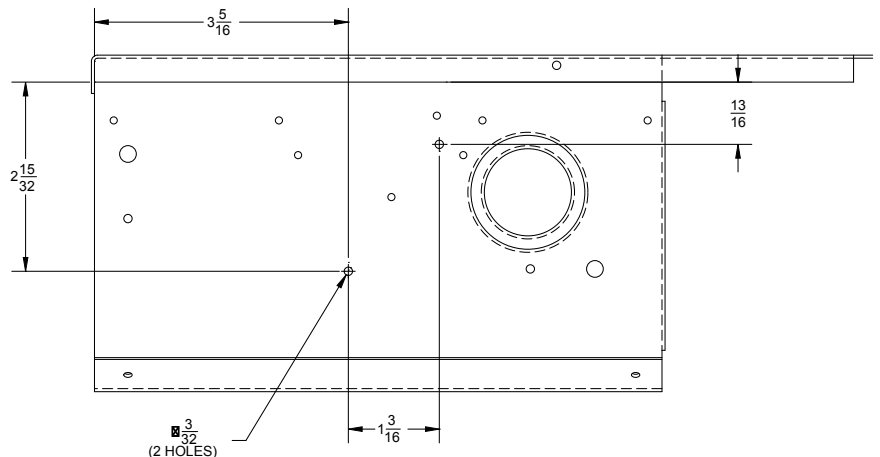


Figure 2