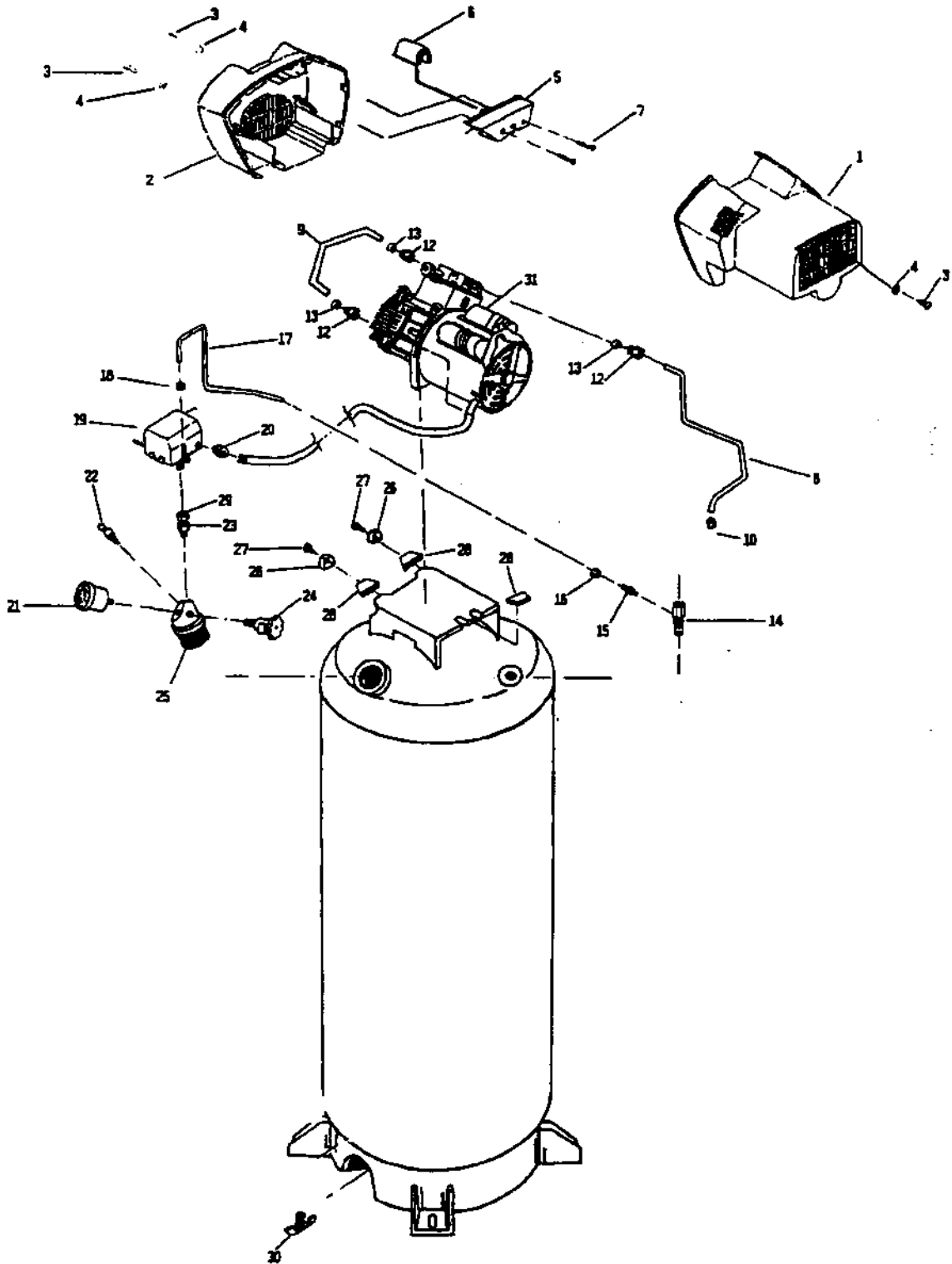


# 500TVE60V-1 C500TVE60V-1



# 500TVE60V-1

## C500TVE60V-1 (cont'd)

| KEY<br><u>NO.</u>    | <u>PART NUMBER</u> | <u>DESCRIPTION</u>                    |
|----------------------|--------------------|---------------------------------------|
| 1                    | DAC-243            | Shroud, Rear                          |
| 2                    | DAC-244            | Shroud, Front                         |
| 3                    | SSF-553            | Screw, #10-24x9/16 Pan HD (3 used)    |
| 4                    | SSG-3102           | O-ring (3 used)                       |
| 5                    | ACG-13             | Cover, Intake Muffler                 |
| 6                    | ACG-12             | Filter, Intake                        |
| 7                    | SSF-554            | Screw, #10-14 x 2 1/2 Pan HD (2 used) |
| 8                    | AC-0057            | Tube, Outlet 60 Gal left              |
| 9                    | AC-0052            | Tube, Outlet 60 Gal right             |
| 10                   | SSP-476            | Tee, 1/2" x 3/8" NPT                  |
| 11                   | SSP-7813           | Nut-Sleeve Assembly 3/8" (2 used)     |
| 12                   | SSP-7821-1         | Nut, Compression for .375" (2 used)   |
| 13                   | CAC-1120           | Sleeve, Silicone for .375" (2 used)   |
| 14                   | CAC-4290-3         | Check Valve                           |
| 15                   | SS-8553            | Connector Body                        |
| 16                   | SSP-7811           | Nut-Sleeve Assembly 1/4"              |
| 17                   | ACG-58             | Pressure Relief Tube                  |
| 18                   | SSP-7811           | Nut-Sleeve Assembly 1/4"              |
| 19                   | CAC-4221-2         | Pressure Switch 100/125               |
| 20                   | SSW-7367           | Strain Relief Bushing                 |
| 21                   | GA-360             | Gauge                                 |
| 22                   | TIA-4150           | Safety Valve                          |
| 23                   | DAC-294            | Adaptor Union                         |
| 24                   | SSV-6              | Valve, Truck (Globe)                  |
| 25                   | CAC-1355           | Manifold (2" NPT)                     |
| 26                   | ACG-18             | Saddle Mount Cup (2 used)             |
| 27                   | SSF-990            | Screw, 1/4-20 x .75 (2 used)          |
| 28                   | ACG-19             | Isolator (3 used)                     |
| 29                   | -----              | -----                                 |
| 30                   | SS-2707            | Drain Valve                           |
| * 31                 | AC-0051            | Pump Assembly                         |
| <br><u>NOT SHOWN</u> |                    |                                       |
|                      | KK-4315            | Pressure Release Valve Kit            |
|                      | MG7-OFTWIN         | General Manual                        |
|                      | MP7-500TVE60V-1    | Parts Manual                          |

\* Refer to pump breakdowns